

The **Gardco SSA Straight Square Aluminum** consists of a single piece of extruded 6000 series aluminum providing excellent strength and integrity. The poles are finished with an electrostatically applied, thermally cured polyester powdercoat. All poles include base cover, hand hole, ground lug and top cap. Anchor bolts and templates are ordered as a separate accessory.

Project: _____

Location: _____

Cat.No: _____

Type: _____

Notes: _____

Ordering Guide

example: SSA-CA-4-125-16-D1-DT5-WH-FES

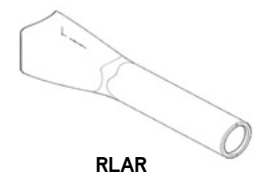
Family	Base ³	Pole Size (in.)	Wall Thickness (in.)	Height (ft.) ⁴	Drilling/Tenon Configuration ¹	Drilling Template ²	Finish	Options ³						
SSA Straight Square Aluminum	CA Cast Aluminum Base	4	125 0.125"	10	D1 1 Way D1@180 1 Way @ 180 D2 2 Way @ 180 D2@90 2 Way @ 90 D3 3 Way @ 90 D4 4 Way @ 90	DT1 Drill Template 1 DT2 Drill Template 2 DT3 Drill Template 3 DT4 Drill Template 4 DT5 Drill Template 5 DT6 Drill Template 6 [DTX-xxx] ⁷ Custom Template	BK Black BZ Bronze WH White DG Dark Grey MG Medium Gray GY3 Light Grey, Smooth SSDGY SolarForm Dark Grey (RAL 7011)	FES ⁵ Festoon Outlet VDA ⁶ Vibration Dampener AHH ⁵ Additional Hand Hole DR ⁵ Duplex Receptacle GFI ⁵ DR with GFI (120V only) VPA Vandalproof Screws						
				12										
				15										
				16										
				18										
				20										
	HB Hinged Base (max 16', 0.125" only)	188 0.188"	18 20	15 16 18 20	T2D4L 2-3/8" OD x 4" length T2D6L 2-3/8" OD x 6" length T3D4L 3" OD x 4" length T4D6L 4" OD x 6" length	N No Drilling Template (for Tenon and Plain Top Options)	OC Optional Color Paint (ex: RAL7024) SC ⁵ Special/Custom Color (Specify, must supply color chip)	CL1/2 ⁵ Coupling 1/2" CL3/4 ⁵ Coupling 3/4" CL1 ⁵ Coupling 1" CL1-1/4 ⁵ Coupling 1-1/4" CL1-1/2 ⁵ Coupling 1-1/2" NL1/2 ⁵ Nipple 1/2" NL3/4 ⁵ Nipple 3/4" NL1 ⁵ Nipple 1" NL1-1/4 ⁵ Nipple 1-1/4" NL1-1/2 ⁵ Nipple 1-1/2"						
									STB Steel Tenon Base	5	125 0.125"	15 16 18 20	No Drilling/No Tenon	P Plain Top
									6	188 0.188" 250 0.250"	25 28 30	No Drilling/No Tenon	P Plain Top	

- See Drilling Configurations on Page 2.
- See Luminaire Drilling Templates on Page 2.
- Not all options available with all configurations. Consult factory for more details.
- Pole heights can be cut to length. Specify as a whole number in ft. (ex. 11, 13) or to the inch as a decimal (ex. 15.33 = 15' 4")
- Option must be specified by the customer before order release. FES, DR, GFI, AHH options typically must be placed 12" away from standard hand hole (20" above base).
- VDA is required on all poles equal or greater than 25ft in height.
- Custom drill templates (DTX) require factory quote.

Accessories

Service	Base & Pole Size	12NC	Description (Diameter x Length x Hook w Bolt Circle Template)
Anchor Bolts + Templates			
For standard shipment with the pole (order 1 per pole)	CA or HB & 4"	912401597399	AB 3/4x17x3-G DEC w/ 8.5 BC ABT
	CA or HB & 5"	912401613966	AB 3/4x17x3-G DEC w/ 10.5 BC ABT
	CA & 6"	912401613965	AB 1x33x3-G DEC w/ 12.5 BC ABT
	STB & 4"	912401613964	AB 3/4x17x3-G DEC w/ 7 BC ABT
	STB & 5"	912401613107	AB 1x33x3-G DEC w/ 11 BC ABT
	STB & 6"	912401597401	AB 1x33x3-G DEC w/ 12 BC ABT
For RapidShip or Pre-Ship service with the pole (order 1 per pole)	CA or HB & 4"	912401597407	AB 3/4x17x3-G DEC w/ 8.5 BC ABT-RS
	CA or HB & 5"	912401613961	AB 3/4x17x3-G DEC w/ 10.5 BC ABT-RS
	CA & 6"	912401613960	AB 1x33x3-G DEC w/ 12.5 BC ABT-RS
	STB & 4"	912401613959	AB 3/4x17x3-G DEC w/ 7 BC ABT-RS
	STB & 5"	912401613106	AB 1x33x3-G DEC w/ 11 BC ABT-RS
	STB & 6"	912401597408	AB 1x33x3-G DEC w/ 12 BC ABT-RS

Part No.	Description
Brackets	
RLAR-1A-SQ4+ -(finish)	Cast Aluminum mounting arm, 15" long with DT6 drill pattern. (order 1 per luminaire). For use with Lumec Roadway and Gardco SolarForm luminaires. Specify finish to match pole.

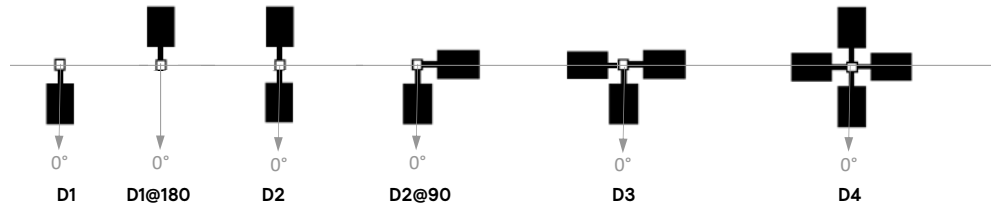


RLAR

Poles Straight Square Aluminum

Drilling Configuration

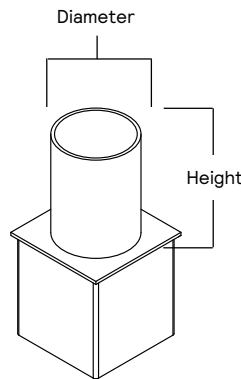
Code	Description
D1	Single luminaire
D1@180	Single luminaire @ 180
D2	Two luminaires @ 180
D2@90	Two luminaires @ 90
D3	Three luminaires @ 90
D4	Four luminaires @ 90



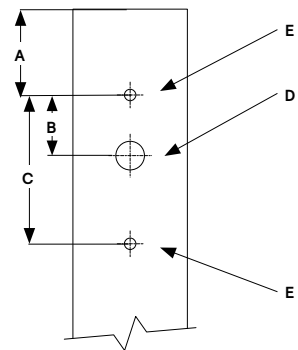
Ref. access door at 0° for all
Legacy design places access door at 180°

Tenon Dimensions

Tenon	Diameter	Height
T2D4L	2.375" (60mm)	4" (102mm)
T2D6L	2.375" (60mm)	6" (152mm)
T3D4L	3" (76mm)	4" (102mm)
T4D6L	4" (102mm)	6" (152mm)



Pole Top Drilling



Luminaire Drill Pattern

Code	Description	Luminaires	Pole Drilling				
			A To Pole Top	B	C Full Extent	D Wireway Hole	E Bolt Hole
DT1	Drill Template 1	Gardco SlenderForm Round SFRA	2.25" (57mm)	1.5" (38.1mm)	3" (76mm)	0.875" (22.2mm)	0.40" (10.2mm)
DT2	Drill Template 2	Gardco SlenderForm Square - SFA Gardco Gullwing - GL13, GL18 Gardco Form Ten - EH14L, EH19L, CAL17, CAL22, MAL17, MAL22	2.25" (57mm)	2.17" (55mm)	3.84" (98mm)	0.875" (22.2mm)	0.39" (9.9mm)
DT3	Drill Template 3	Gardco PowerForm PFAS	2.25" (57mm)	1.75" (44mm)	3.84" (98mm)	0.875" (22.2mm)	0.41" (10.4mm)
DT4	Drill Template 4	Gen1 Stonco/Keene AL150-G1, AL200-G1	2.5" (64mm)	1.7" (43mm)	3.5" (89mm)	0.875" (22.2mm)	0.41" (10.4mm)
DT5	Drill Template 5	Gardco EcoForm Gen2 - ECF-S, ECF-L Gardco PureForm Gen2 - P15, P20, P26, P34 OptiForm Small - OPF-S OptiForm Med - OPF-M OptiForm Large - OPF-L	3" (76mm)	1" (25mm)	3" (76mm)	1" (25mm)	0.41" (10.4mm)
DT6	Drill Template 6	Hole pattern drilled for the following: Gen2 Stonco/Keene AL70-G2 and AL150-G2, or to attach RLAR bracket accessory, suitable for use with: Lumec Capella CPLM, CPLS Lumec RoadStar GPLM, GPLS Lumec RoadFocus RFS, RFM, RFL Lumec RoadView RVM, RVS Lumec MiniView SVS Lumec StreetView SVM Gardco SolarForm BRP710	2.5" (64mm)	1" (25mm)	2" (50mm)	0.875" (22mm)	0.5" (12.7mm)

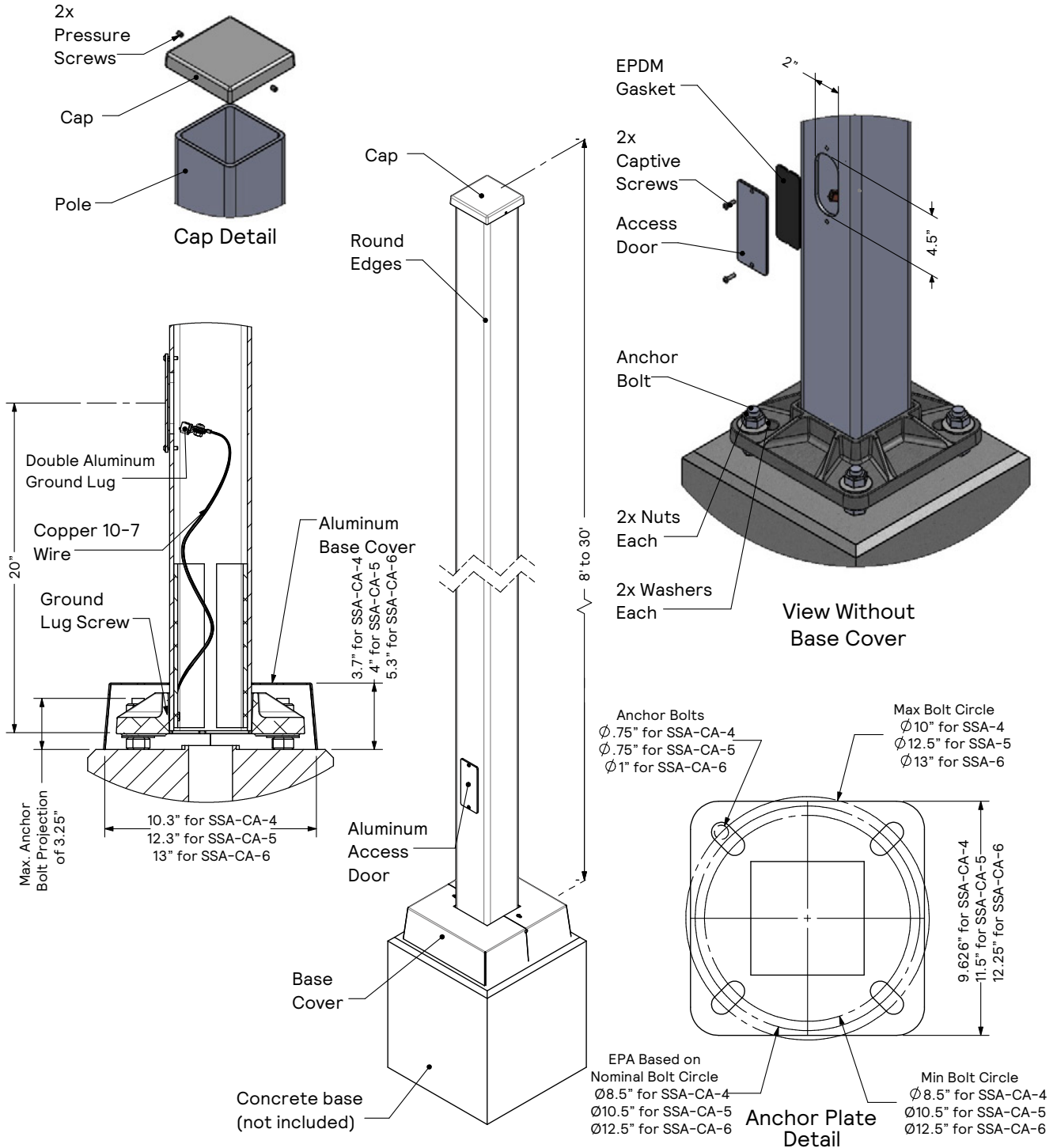
* Anchor Bolt Lock Washers are not normally required and are not included in standard anchor bolt sets. They are available upon request at additional cost.

**Grouting should include a drainage slot or tube (by others) to permit water to drain from the base of the pole. Failure to provide drainage may weaken the pole base structure over time and may result in pole base failure, for which Gardco is not responsible.

NOTE: Factory supplied template must be used when setting anchor bolts. Gardco will not honor any claim for incorrect anchorage placement from failure to use factory supplied templates.

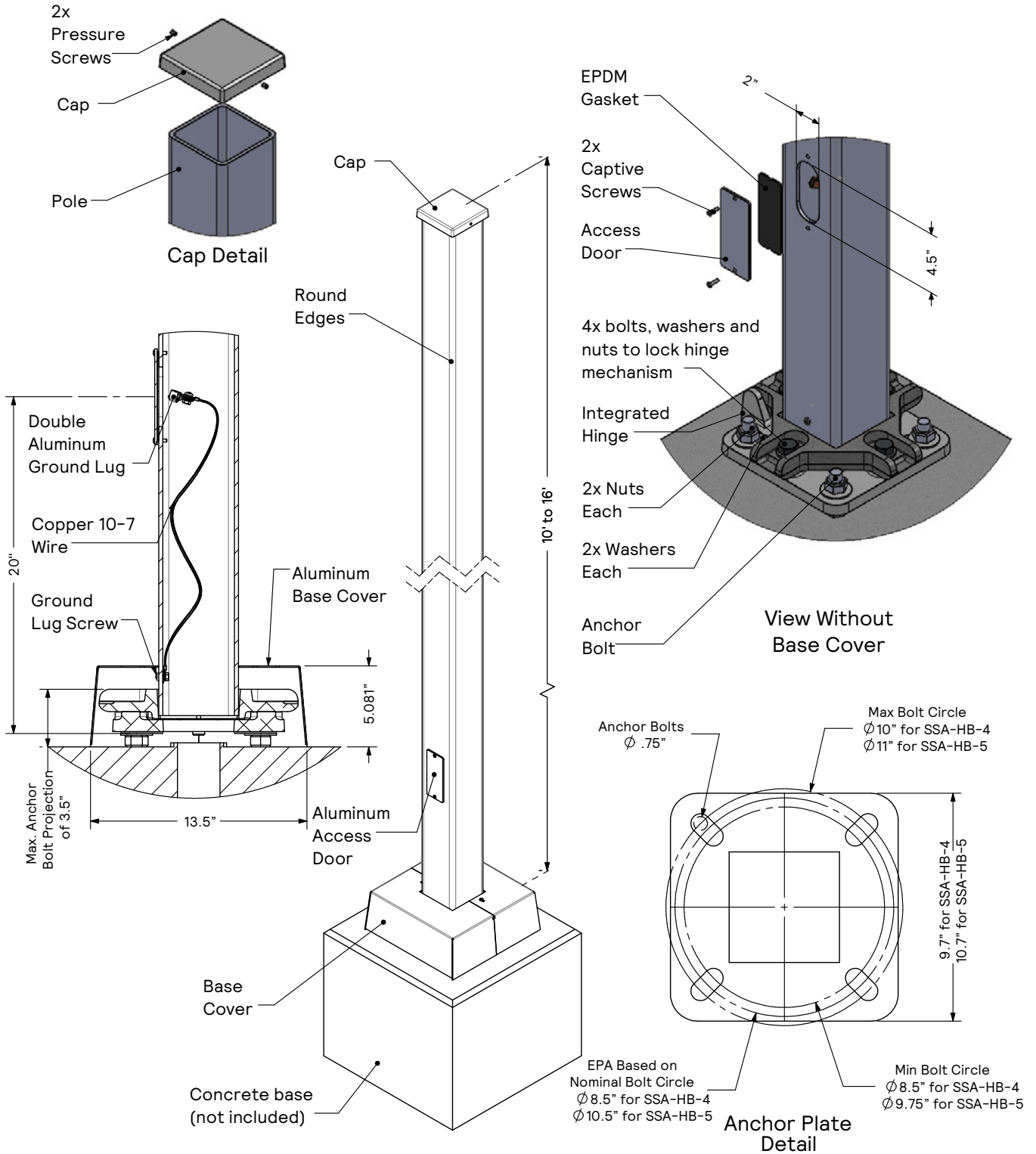
Poles Straight Square Aluminum

Dimensions and Specifications - Cast Aluminum Base



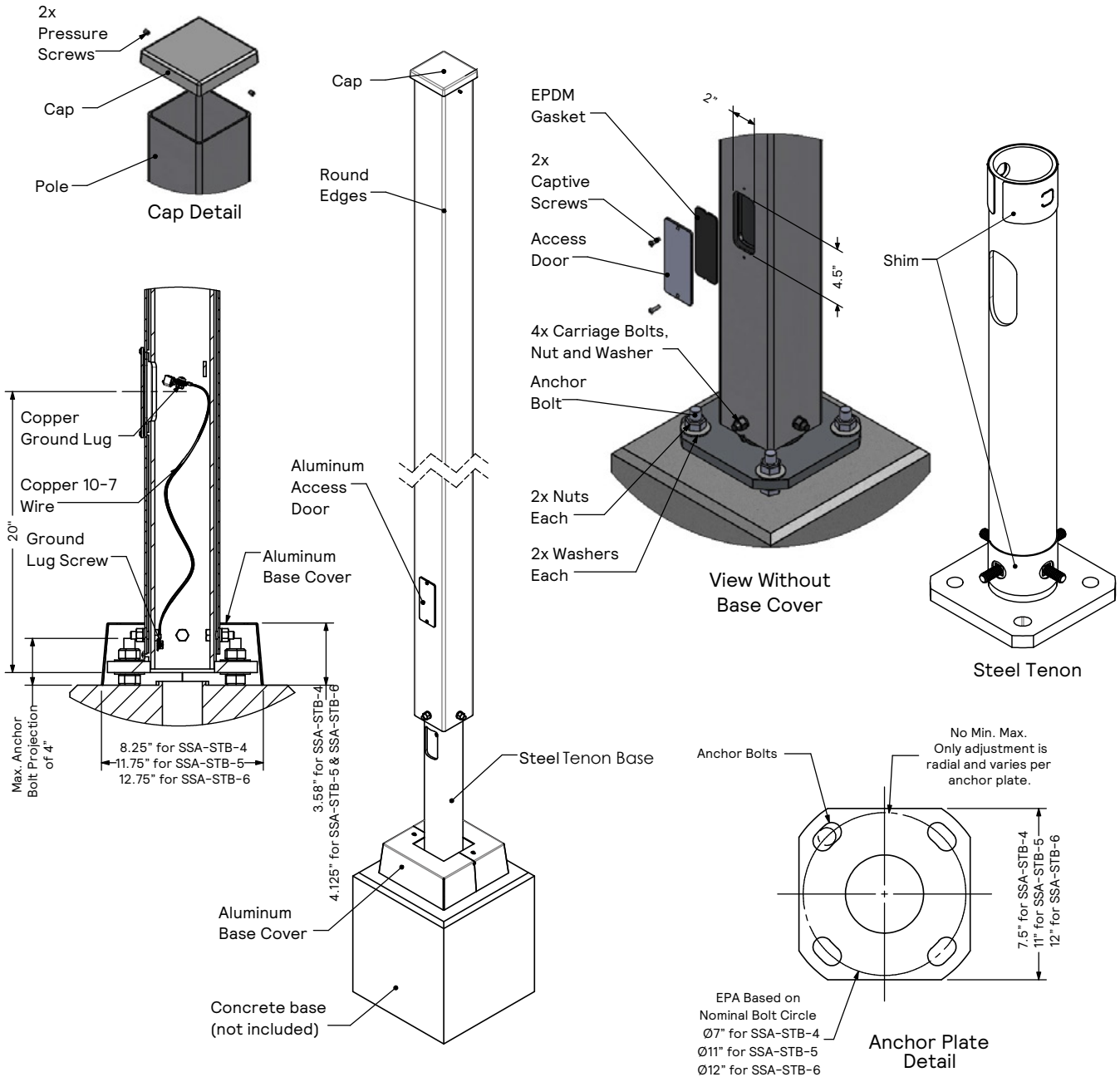
Poles Straight Square Aluminum

Dimensions and Specifications - Hinged Base



Poles Straight Square Aluminum

Dimensions and Specifications - Steel Tenon Base



Poles Straight Square Aluminum

Pole Data

Product Catalog Number	Pole Specs					Anchor Bolt Data				
	Pole Diameter (in.)	Wall Thickness (in.)	Height (ft.)	Pole Weight (lbs.)	Base Reinforced	Bolt Circle (in.) EPA Nominal	Bolt Circle (in.) Minimum	Bolt Circle (in.) Maximum	Anchor Bolt Spec (in.)	Anchor Bolt Max Proj. (in.)
SSA-CA-4-125-10	4	0.125	10	22	No	8.5	8.5	10	3/4 x 17 x 3	3.25
SSA-CA-4-125-12	4	0.125	12	26	No	8.5	8.5	10	3/4 x 17 x 3	3.25
SSA-CA-4-125-15	4	0.125	15	32	No	8.5	8.5	10	3/4 x 17 x 3	3.25
SSA-CA-4-125-16	4	0.125	16	35	No	8.5	8.5	10	3/4 x 17 x 3	3.25
SSA-CA-4-125-18	4	0.125	18	39	No	8.5	8.5	10	3/4 x 17 x 3	3.25
SSA-CA-4-125-20	4	0.125	20	43	No	8.5	8.5	10	3/4 x 17 x 3	3.25
SSA-CA-4-188-18	4	0.188	18	57	No	8.5	8.5	10	3/4 x 17 x 3	3.25
SSA-CA-4-188-20	4	0.188	20	64	No	8.5	8.5	10	3/4 x 17 x 3	3.25
SSA-CA-5-125-15	5	0.125	15	41	No	10.5	10.5	12.5	3/4 x 17 x 3	3.25
SSA-CA-5-125-16	5	0.125	16	43	No	10.5	10.5	12.5	3/4 x 17 x 3	3.25
SSA-CA-5-125-18	5	0.125	18	49	No	10.5	10.5	12.5	3/4 x 17 x 3	3.25
SSA-CA-5-125-20	5	0.125	20	54	Yes	10.5	10.5	12.5	3/4 x 17 x 3	3.25
SSA-CA-5-188-25	5	0.188	25	105	Yes	10.5	10.5	12.5	3/4 x 17 x 3	3.25
SSA-CA-5-188-30	5	0.188	30	126	Yes	10.5	10.5	12.5	3/4 x 17 x 3	3.25
SSA-CA-6-188-25	6	0.188	25	127	Yes	12.5	12.5	13	1 x 33 x 3	3.25
SSA-CA-6-188-28	6	0.188	28	142	Yes	12.5	12.5	13	1 x 33 x 3	3.25
SSA-CA-6-188-30	6	0.188	30	152	Yes	12.5	12.5	13	1 x 33 x 3	3.25
SSA-CA-6-250-25	6	0.250	25	167	Yes	12.5	12.5	13	1 x 33 x 3	3.25
SSA-CA-6-250-28	6	0.250	28	187	Yes	12.5	12.5	13	1 x 33 x 3	3.25
SSA-CA-6-250-30	6	0.250	30	200	Yes	12.5	12.5	13	1 x 33 x 3	3.25
SSA-HB-4-125-10	4	0.125	10	22	N/A	8.5	8.5	10	3/4 x 17 x 3	3.5
SSA-HB-4-125-12	4	0.125	12	26	N/A	8.5	8.5	10	3/4 x 17 x 3	3.5
SSA-HB-4-125-15	4	0.125	15	32	N/A	8.5	8.5	10	3/4 x 17 x 3	3.5
SSA-HB-4-125-16	4	0.125	16	35	N/A	8.5	8.5	10	3/4 x 17 x 3	3.5
SSA-HB-5-125-15	5	0.125	15	41	N/A	10.5	9.75	11	3/4 x 17 x 3	3.5
SSA-HB-5-125-16	5	0.125	16	43	N/A	10.5	9.75	11	3/4 x 17 x 3	3.5
SSA-STB-4-125-10	4	0.125	10	44	N/A	7	7	7	3/4 x 17 x 3	3.5
SSA-STB-4-125-12	4	0.125	12	51	N/A	7	7	7	3/4 x 17 x 3	3.5
SSA-STB-4-125-15	4	0.125	15	58	N/A	7	7	7	3/4 x 17 x 3	3.5
SSA-STB-4-125-16	4	0.125	16	62	N/A	7	7	7	3/4 x 17 x 3	3.5
SSA-STB-4-125-18	4	0.125	18	67	N/A	7	7	7	3/4 x 17 x 3	3.5
SSA-STB-4-125-20	4	0.125	20	71	N/A	7	7	7	3/4 x 17 x 3	3.5
SSA-STB-4-188-18	4	0.188	18	86	N/A	7	7	7	3/4 x 17 x 3	3.5
SSA-STB-4-188-20	4	0.188	20	93	N/A	7	7	7	3/4 x 17 x 3	3.5
SSA-STB-5-125-15	5	0.125	15	76	N/A	11	11	11	1 x 33 x 3	3.5
SSA-STB-5-125-16	5	0.125	16	82	N/A	11	11	11	1 x 33 x 3	3.5
SSA-STB-5-125-18	5	0.125	18	88	N/A	11	11	11	1 x 33 x 3	3.5
SSA-STB-5-125-20	5	0.125	20	94	N/A	11	11	11	1 x 33 x 3	3.5
SSA-STB-5-125-25	5	0.125	25	112	N/A	11	11	11	1 x 33 x 3	3.5
SSA-STB-5-125-30	5	0.125	30	130	N/A	11	11	11	1 x 33 x 3	3.5
SSA-STB-5-188-25	5	0.188	25	146	N/A	11	11	11	1 x 33 x 3	3.5
SSA-STB-5-188-30	5	0.188	30	171	N/A	11	11	11	1 x 33 x 3	3.5
SSA-STB-6-188-25	6	0.188	25	174	N/A	12	12	12	1 x 33 x 3	4
SSA-STB-6-188-28	6	0.188	28	194	N/A	12	12	12	1 x 33 x 3	4
SSA-STB-6-188-30	6	0.188	30	204	N/A	12	12	12	1 x 33 x 3	4
SSA-STB-6-250-25	6	0.250	25	215	N/A	12	12	12	1 x 33 x 3	4
SSA-STB-6-250-28	6	0.250	28	239	N/A	12	12	12	1 x 33 x 3	4
SSA-STB-6-250-30	6	0.250	30	253	N/A	12	12	12	1 x 33 x 3	4

Poles Straight Square Aluminum

EPA Table

Product Catalog Number	AASHTO 2001 - EPA ft ²					
	80 MPH	90 MPH	100 MPH	110 MPH	120 MPH	130 MPH
SSA-CA-4-125-10	12.44	9.30	7.07	5.41	4.14	3.16
SSA-CA-4-125-12	9.55	6.91	5.02	3.62	2.56	1.73
SSA-CA-4-125-15	6.32	4.17	2.66	1.54	0.66	N/A
SSA-CA-4-125-16	5.41	3.39	1.97	0.92	0.12	N/A
SSA-CA-4-125-18	3.69	1.97	0.76	N/A	N/A	N/A
SSA-CA-4-125-20	2.26	0.76	N/A	N/A	N/A	N/A
SSA-CA-4-188-18	8.04	5.51	3.69	2.32	1.34	0.52
SSA-CA-4-188-20	6.19	3.98	2.36	1.18	0.27	N/A
SSA-CA-5-125-15	11.17	7.79	5.35	3.55	2.17	1.11
SSA-CA-5-125-16	9.84	6.62	4.37	2.67	1.39	0.37
SSA-CA-5-125-18	7.30	4.51	2.51	1.05	N/A	N/A
SSA-CA-5-125-20	5.15	2.71	0.95	N/A	N/A	N/A
SSA-CA-5-188-25	6.42	3.53	1.48	N/A	N/A	N/A
SSA-CA-5-188-30	2.22	N/A	N/A	N/A	N/A	N/A
SSA-CA-6-188-25	10.97	6.75	3.73	1.50	N/A	N/A
SSA-CA-6-188-28	7.34	3.65	1.05	N/A	N/A	N/A
SSA-CA-6-188-30	5.21	1.83	N/A	N/A	N/A	N/A
SSA-CA-6-250-25	17.78	12.28	8.34	5.44	3.20	1.48
SSA-CA-6-250-28	13.45	8.67	5.21	2.67	0.76	N/A
SSA-CA-6-250-30	10.96	6.52	3.39	1.05	N/A	N/A
SSA-HB-4-125-10	12.44	9.30	7.07	5.41	4.14	3.16
SSA-HB-4-125-12	9.55	6.91	5.02	3.62	2.56	1.73
SSA-HB-4-125-15	6.32	4.17	2.66	1.54	0.66	N/A
SSA-HB-4-125-16	5.41	3.39	1.97	0.92	0.12	N/A
SSA-HB-5-125-15	11.17	7.79	5.35	3.55	2.17	1.11
SSA-HB-5-125-16	9.84	6.62	4.37	2.67	1.39	0.37
SSA-STB-4-125-10	24.90	19.30	15.20	12.30	10.02	8.27
SSA-STB-4-125-12	21.00	16.15	12.65	10.07	8.10	6.60
SSA-STB-4-125-15	11.90	8.80	6.55	4.90	3.62	2.65
SSA-STB-4-125-16	11.60	8.55	6.35	4.75	3.50	2.55
SSA-STB-4-125-18	8.55	6.05	4.25	2.90	1.90	1.10
SSA-STB-4-125-20	6.10	4.00	2.50	1.38	0.53	N/A
SSA-STB-4-188-18	14.90	11.10	8.40	6.45	4.93	3.65
SSA-STB-4-188-20	11.60	8.40	6.15	4.50	3.23	2.25
SSA-STB-5-125-15	24.30	18.40	14.15	11.00	8.65	6.78
SSA-STB-5-125-16	20.00	15.00	11.40	8.75	6.70	5.15
SSA-STB-5-125-18	15.40	11.20	8.25	6.05	4.35	3.05
SSA-STB-5-125-20	11.75	8.20	5.70	3.80	2.40	1.28
SSA-STB-5-125-25	5.75	3.25	1.40	0.05	N/A	N/A
SSA-STB-5-125-30	1.15	3.72	1.54	N/A	N/A	N/A

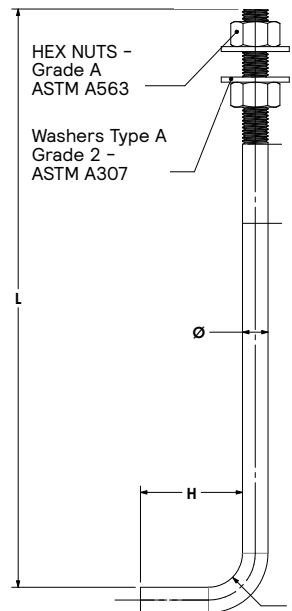
EPA Table (Cont.)

Product Catalog Number	AASHTO 2001 - EPA ft ²					
	80 MPH	90 MPH	100 MPH	110 MPH	120 MPH	130 MPH
SSA-STB-5-188-25	12.60	8.70	6.00	3.95	2.40	1.18
SSA-STB-5-188-30	6.65	3.80	1.75	0.25	N/A	N/A
SSA-STB-6-188-25	20.70	14.80	10.60	7.50	5.15	3.30
SSA-STB-6-188-28	16.10	11.10	7.45	4.75	2.70	1.15
SSA-STB-6-188-30	12.60	8.10	4.90	2.55	0.75	N/A
SSA-STB-6-250-25	25.90	18.70	13.60	9.80	6.90	4.70
SSA-STB-6-250-28	20.70	14.40	9.90	6.60	4.10	2.19
SSA-STB-6-250-30	17.70	11.89	7.79	4.70	2.40	0.60

- Warning:** Additional wind loading, in terms of EPA, from banners, cameras, floodlights and other accessories attached to the pole, must be added to the luminaire(s) EPA before selecting the pole with the appropriate wind load capability. Specifying BAA or BAC compliant poles may result in different EPA ratings.
- Factory supplied template must be used when setting anchor bolts. Gardco will not honor any claim for incorrect anchorage placement resulting from failure to use factory supplied templates. Exact length of anchor bolts may vary.
- EPA ratings are based on the listed, optimal midpoint of the bolt circle. The bolt circle has limited variability but the EPA rating will change.

NOTE: Above EPA (Effective Projected Area) rating is in accordance with AASHTO 2001 and CSA-S6-14, with a 50 pound load (22.7 kg) placed at 1 foot (305mm) above its center.

Standard Anchor Bolt



Poles Straight Square Aluminum

EPA Table

Product Catalog Number	CSA-S6-14 - EPA ft ²					
	300 Pa 79 MPH	400 Pa 91 MPH	400 Pa 102 MPH	600 Pa 111 MPH	700 Pa 120 MPH	800 Pa 129 MPH
SSA-CA-4-125-10	7.50	4.98	3.49	2.46	1.73	1.21
SSA-CA-4-125-12	5.35	3.22	1.93	1.11	0.50	0.04
SSA-CA-4-125-15	2.83	1.15	0.11	N/A	N/A	N/A
SSA-CA-4-125-16	2.12	0.52	N/A	N/A	N/A	N/A
SSA-CA-4-125-18	0.82	N/A	N/A	N/A	N/A	N/A
SSA-CA-4-125-20	N/A	N/A	N/A	N/A	N/A	N/A
SSA-CA-4-188-18	3.45	1.39	0.13	N/A	N/A	N/A
SSA-CA-4-188-20	2.03	0.17	N/A	N/A	N/A	N/A
SSA-CA-5-125-15	5.93	3.20	1.57	0.46	N/A	N/A
SSA-CA-5-125-16	4.92	2.35	0.82	N/A	N/A	N/A
SSA-CA-5-125-18	3.06	0.80	N/A	N/A	N/A	N/A
SSA-CA-5-125-20	1.44	N/A	N/A	N/A	N/A	N/A
SSA-CA-5-188-25	1.40	N/A	N/A	N/A	N/A	N/A
SSA-CA-5-188-30	N/A	N/A	N/A	N/A	N/A	N/A
SSA-CA-6-188-25	4.47	0.82	N/A	N/A	N/A	N/A
SSA-CA-6-188-28	1.54	N/A	N/A	N/A	N/A	N/A
SSA-CA-6-188-30	N/A	N/A	N/A	N/A	N/A	N/A
SSA-CA-6-250-25	8.96	4.17	1.29	N/A	N/A	N/A
SSA-CA-6-250-28	5.51	1.25	N/A	N/A	N/A	N/A
SSA-CA-6-250-30	3.44	N/A	N/A	N/A	N/A	N/A
SSA-HB-4-125-10	7.50	4.98	3.49	2.46	1.73	1.21
SSA-HB-4-125-12	5.35	3.22	1.93	1.11	0.50	0.04
SSA-HB-4-125-15	2.83	1.15	0.11	N/A	N/A	N/A
SSA-HB-4-125-16	2.12	0.52	N/A	N/A	N/A	N/A
SSA-HB-5-125-15	5.93	3.20	1.57	0.46	N/A	N/A
SSA-HB-5-125-16	4.92	2.35	0.82	N/A	N/A	N/A
SSA-STB-4-125-10	28.00	20.60	16.05	13.05	10.90	9.30
SSA-STB-4-125-12	23.18	16.82	12.99	10.42	8.63	7.26
SSA-STB-4-125-15	16.32	11.46	8.53	6.58	5.19	4.17
SSA-STB-4-125-16	16.32	11.46	8.53	6.58	5.19	4.17
SSA-STB-4-125-18	13.00	8.85	6.30	4.65	3.45	2.55
SSA-STB-4-125-20	10.25	6.60	4.43	2.98	1.95	1.17
SSA-STB-4-188-18	16.90	11.50	8.25	6.10	4.55	3.38
SSA-STB-4-188-20	13.80	9.00	6.15	4.25	2.90	1.85
SSA-STB-5-125-15	27.07	19.31	14.67	11.60	9.35	7.69
SSA-STB-5-125-16	27.07	19.31	14.67	11.60	9.35	7.69
SSA-STB-5-125-18	22.14	15.44	11.43	8.76	6.84	5.41
SSA-STB-5-125-20	18.17	12.28	8.76	6.42	4.75	3.49
SSA-STB-5-125-25	11.60	7.00	4.25	2.40	1.10	0.12
SSA-STB-5-125-30	6.35	2.70	0.55	N/A	N/A	N/A
SSA-STB-5-188-25	20.20	13.07	8.80	5.95	3.90	2.35
SSA-STB-5-188-30	12.50	6.80	3.40	1.15	N/A	N/A
SSA-STB-6-188-25	31.80	21.30	15.00	10.80	7.85	5.65
SSA-STB-6-188-28	26.30	16.90	11.20	7.45	4.80	2.85
SSA-STB-6-188-30	22.90	14.20	8.90	5.35	2.90	1.00
SSA-STB-6-250-25	28.00	18.50	12.75	8.95	6.25	4.20
SSA-STB-6-250-28	21.80	13.50	8.50	5.25	2.85	1.10
SSA-STB-6-250-30	18.00	10.50	6.00	2.90	0.75	N/A

Poles Straight Square Aluminum

Specifications

Pole shaft

The pole shaft is fabricated from a single piece of extruded 6000 series aluminum. Shaft includes factory installed copper ground lug, 10-7 wire, and ground lug screw. A vibration dampener (VDA) is automatically added by the factory for all poles 25ft or higher.

Anchor Base

The pole anchor base consists of a cast aluminum base welded to the shaft (CA), a cast aluminum hinged base (HB) or a steel tenon base (STB) secured with bolts and shims in which the aluminum shaft is slipped over.

Anchor Bolts

Anchor bolts are fabricated from a commercial quality hot rolled carbon steel bar that meets or exceeds a minimum guaranteed yield strength of 55 ksi. Bolts have an "L" bend on one end and threaded on the opposite end. Anchor bolts are galvanized in accordance with ASTM A-153.6 C1.C. Four (4) properly sized bolts, each furnished with two (2) regular hex nuts and two (2) flat washers, are provided per pole (priced and ordered separately), unless otherwise specified. Conforms to AASHTO M 314 90 and ASTM F1554.

Customer Specified Options

The options, DTX, FES, DR, GFI, AHH, CL*, and NL* require factory quotation. Poles with custom drilling templates (DTX) are provided as a service, however Signify holds no liability for improper installation and safety when using non-Signify luminaires or attachments on Gardco poles via drilling, tenon mounting, or coupling and nipple mounting. It is the responsibility of the customer to ensure the pole is loaded and installed in a safe manner to the limitations of the pole structure. See "Warning" paragraph for more details.

Base Cover

A two-piece painted square aluminum base cover that completely conceals the entire base plate and anchorage. Base cover is provided standard.

Hand hole

The hand hole has a nominal rectangular 2"x4.5" inside opening in the pole shaft. Included is an aluminum cover plate, EPDM gasket, and captive attachment screws. The hand hole is located 20" above the base and 0° clockwise with respect to the luminaire arm when viewed from the top of the pole for one arm. For two arms the hand hole is located directly under one arm.

Pole Top Cap

Each pole assembly is provided with a removable aluminum pole top cap painted to match the specified pole and attached with two pressure screws.

Finish

Poles are available with Gardco's standard textured color finishes - Black, White, Bronze, Dark Grey, Medium Grey, and Lumec GY3 for a match with roadway luminaire finishes. Optional custom colors also available.

Couplings and Nipples

Couplings (NPSC standard internal threads) and Nipples (NPT standard external threads) are available to mount 3rd party objects to the pole. Lengths are as follows:

Couplings < 1" dia. = 1" length
Couplings >= 1" dia. = 1.5" length
Nipples < 1" dia. = 1.5" length
Nipples >= 1" dia. = 2" length

See "Customer Specified Options" paragraph for more details.

Duplex Receptacle (DR and GFI)

DR and GFI options are placed at 2' below the pole top on the same side as the hand hole unless otherwise specified. DR or GFI options cannot be placed within 1' of the the hand hole. Maximum output of the receptacles are 15A.

General Pole Information

Design

EPA specs conform to AASHTO 2001 and CSA-S6-14 standards. The poles as charted are designed to withstand dead loads and predicted dynamic loads developed by variable wind pressure with an additional 2.5 gust factor under the following conditions: The charted weights include luminaire(s) and/or mounting bracket(s). Poles installed in areas of known abnormal conditions may require special consideration. For example: coastal areas, airports and areas of special winds. Poles are designed for ground mounted applications. Poles mounted on structures (such as buildings and bridges) may also necessitate special consideration requiring Gardco's recommendation. Height correction factors and drag coefficients are applied to the entire structure. An appropriate safety factor is maintained based on the minimum yield strength of the material incorporated in the pole.

Warning

This design information is intended as a general guideline only. The customer is solely responsible for proper selection of pole, luminaire, accessory and foundation under the given site conditions and intended usage. The addition of any items to the pole, in addition to the luminaire, will dramatically impact the EPA load on that pole. It is strongly recommended that a qualified professional be consulted to analyze the loads given the user's specific needs to ensure proper selection of the pole, luminaire, accessories, and foundation. Gardco assumes no responsibility for such proper analysis or product selections. Failure to ensure proper site analysis, pole selection, loads and installation can result in pole failure, leading to serious injury or property damage.

Warranty

Gardco Aluminum poles are covered by a 5-year and finish warranty. Legacy designs are covered by a 1-year warranty. For more information visit signify.com/warranties

