

# Day-Brite



by Signify

## Installation Instructions

### Linear Luminaire

#### Vaportite dual select LED



### IMPORTANT

READ INSTRUCTIONS CAREFULLY BEFORE INSTALLING.  
KEEP THESE INSTRUCTIONS FOR FUTURE REFERENCE.

Default setting is set to the highest available wattage and CCT to 4000K

### Technical Data

Product Name	Dimensions	Input Voltage	Frequency	Power Consumption	Installation Method
VTS225L840-UN3-DIM	655x98x84mm	120-347	50/60Hz	22W	SURFACE MOUNT INSTALLATION SUSPENDED INSTALLATION
VTS22028L8CST-UN3-DIM	655x98x84mm	120-347	50/60Hz	14W/17W/21W	
VTS450L840-UN3-DIM	1205x98x84mm	120-347	50/60Hz	44W	
VTS42856L8CST-UN3-DIM	1205x98x84mm	120-347	50/60Hz	22W/32W/46W	
VTS8100L840-UN3-DIM	2387x98x84mm	120-347	50/60Hz	80W	
VTS880130L8CST-UN3-DIM	2387x98x84mm	120-347	50/60Hz	57W/78W/94W	

### IMPORTANT SAFETY INFORMATION:

- Turn off electrical power at fuse or circuit breaker box before wiring fixture to the power supply.
- Turn off the power when you perform any maintenance.
- Verify that supply voltage is correct by comparing it with the luminaire label information.
- Make all electrical and grounded connections in accordance with the National Electrical Code and any applicable local code requirements.
- All wiring connections should be capped with UL approved wire connectors.
- MIN 90 °C SUPPLY CONDUCTORS .

CAUTION: This luminaire must be wired in accordance with the National Electric Code and applicable local codes and ordinances.  
Proper grounding is required for safety.

CAUTION: Installation and servicing of this luminaire should be performed by qualified personnel only.

CAUTION: This fixture is designed for permanent installation in ordinary (Non-Hazardous) locations in accordance with the National Electrical Code and all applicable local codes. Do not use in areas of limited ventilation or in high ambient enclosures.

The lamp and fixture operate at high temperatures. Contact with combustible materials can cause fire and personal contact can cause severe burns.

### General Notes

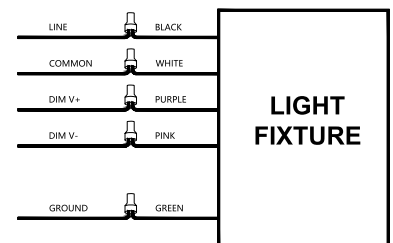
Many luminaire components, such as reflectors, refractors, lenses, sockets, lamp holders, and LEDs are made from various types of plastics which can be adversely affected by airborne contaminants. If sulfur based chemicals, petroleum based products, cleaning solutions, or other contaminants are expected in the intended area of use, consult factory for compatibility.

### Cleaning and Maintenance:

Caution: Do not clean or maintain while the luminaire is energized. Check that the luminaire temperature is cool enough to touch.  
Periodically check and remove any accumulated dirt or debris around luminaire. Do not touch Leds.

### General Wiring Diagram

Caution: All units must be individually connected to the AC Supply.  
Select appropriate access point for your installation, remove knockout, and feed power leads through hole.  
Connect the supply wire from the source to the driver.  
Black= Line White= Neutral Green= Ground  
\*\*Consult with dimmer control manufacturer' s wiring instructions.



# Day-Brite

## CFI

by Signify

## Installation Instructions

### Linear Luminaire

#### Vaportite dual select LED



## Mounting Instructions

### INSTRUCTIONS FOR SELECTING CCT & LUMEN (Only for CCT and Lumen select Models)

Select CCT and Lumen value using the switch (Figure 1)

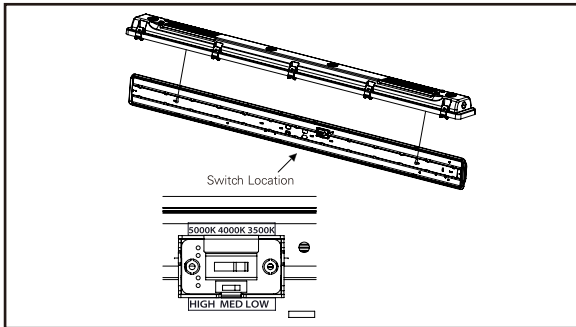


Figure 1.

### INSTALLATION INSTRUCTIONS

1. Turn off the power at the main fuse/breaker box. Carefully open carton, remove fixture and remove all protective packaging materials.
2. Thread the 1/2" water-tight conduit fitting (by others) into universal hub on end of luminaire (Figure 2)

**Note:** For installation in wet locations, apply thread sealant to all fitting threads and use a backup wrench when tightening any fitting to the hub.

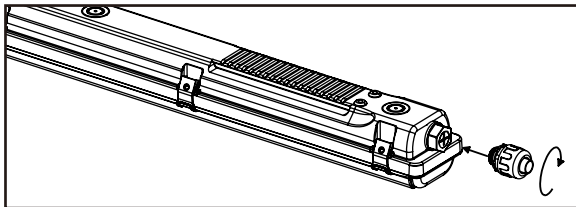


Figure 2.

### SURFACE MOUNT INSTALLATION

3. Secure Mounting Bracket (A) to ceiling using 4 screws (C) and space the brackets 30.5" apart for 4FT or 78.5" apart for 8FT luminaire.

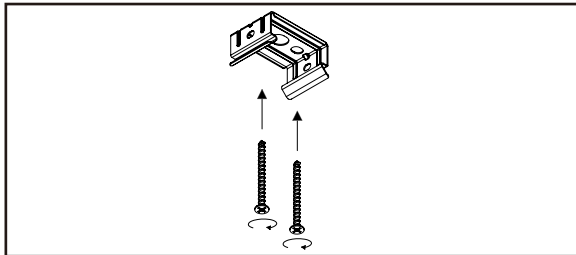


Figure 3.

4. Orient the luminaire so conduit fitting faces incoming supply power or conduit. Tilt and insert the luminaire to one side of the mounting bracket. Gently push the luminaire from the opposite side to snap with the mounting bracket. (Figure 4)

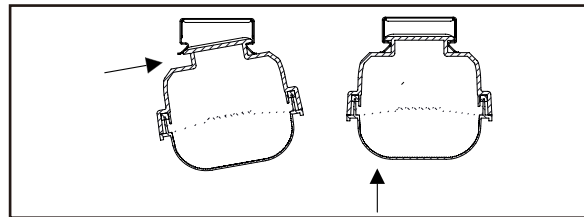


Figure 4.

### SUSPENDED INSTALLATION

5. Press the V-Hook (B) from the sides and pass it through the center hole on the bracket. Ensure the legs of the hook are inserted into the side holes located on the top face of the mounting bracket (Figure 5). If mounting with chain (by others), secure chain to structure (by others) and loop through V-hook (B).

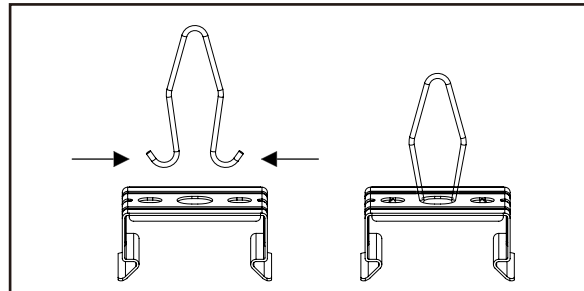


Figure 5.

6. Release latches by pulling top of latch away from housing to Open Fixture. Push Latch towards housing to Close Fixture (Figure 6)

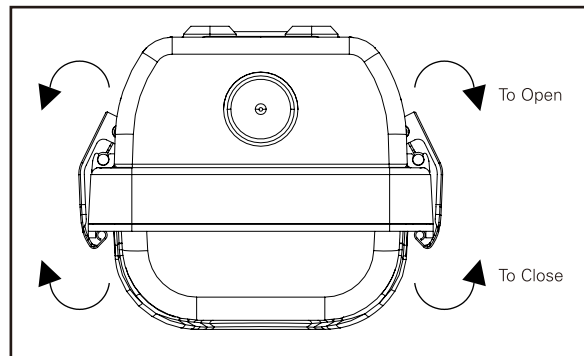


Figure 6.

# Signify