



The Hadco Pima pendant family offers a simple modern take on the traditional pendant lantern, providing style and elegance to downtown areas, commercial developments, parks and residential communities. These pendants use the latest LED technology which maximizes energy savings and provides uniform and comfortable light.

Project: \_\_\_\_\_  
 Location: \_\_\_\_\_  
 Cat.No: \_\_\_\_\_  
 Type: \_\_\_\_\_  
 Lamps: \_\_\_\_\_ Qty: \_\_\_\_\_  
 Notes: \_\_\_\_\_

### Ordering guide

example: CXF5-32-G3-T-A-2-730-A-3-N-SP1-N

| Series  | LEDs  | Generation      | Mounting         | Finish   | Optics  | CCT   | Voltage   | Drive current                                       |
|---|---|-----------------|------------------|--|---|---|---|---|
| <b>CXF5</b>   |   | <b>G3</b>       | <b>T</b>         |  |   |   |   |   |
| <b>CXF5 Pima</b><br><small>Receptacle 7 pin is available for this luminaire but must be selected with the arm bracket. It is not part of the luminaire code. See bracket ordering guide for coding.</small> | <b>32</b> <sup>1</sup> 32 LEDs<br><b>48</b> 48 LEDs<br><b>64</b> 64 LEDs<br><b>80</b> 80 LEDs | <b>G3</b> Gen 3 | <b>T</b> Top arm | <b>A</b> Black<br><b>B</b> White<br><b>G</b> Verde<br><b>H</b> Bronze<br><b>I</b> Gray<br><b>J</b> Green | <b>2</b> Type 2<br><b>2H</b> Type 2 w/HSS<br><b>3</b> Type 3<br><b>3H</b> Type 3 w/HSS<br><b>3W</b> Type 3 Wide<br><b>3WH</b> Type 3 Wide w/HSS<br><b>4</b> Type 4<br><b>5</b> Type 5 | <b>730</b> Warm 3000K<br><b>740</b> Neutral 4000K | <b>A</b> 120-277 VAC<br><b>B</b> <sup>1,2</sup> 347-480 VAC | <b>3</b> 350mA<br><b>5</b> 530 mA<br><b>7</b> 700mA |

### Ordering guide (continued)

| Driver Options  | Surge protection                             |
|---|--|
| <b>DA</b> 4 Hrs 25% Reduction<br><b>DB</b> 4 Hrs 50% Reduction<br><b>DC</b> 4 Hrs 75% Reduction<br><b>DD</b> 6 Hrs 25% Reduction<br><b>DE</b> 6 Hrs 50% Reduction<br><b>DF</b> 6 Hrs 75% Reduction<br><b>DG</b> 8 Hrs 25% Reduction<br><b>DH</b> 8 Hrs 50% Reduction<br><b>DJ</b> 8 Hrs 75% Reduction<br><b>DALI</b> Compatible with DALI<br><b>S</b> FAWS Filed adjustable wattage selector<br><b>SRD</b> <sup>2</sup> Sensor ready driver, standard configuration<br><b>SRD1</b> <sup>2</sup> Sensor ready driver, alternate configuration<br><b>N</b> No dimming | <b>SP1</b> 10kV/20kA<br><b>SP2</b> 20kV/10kV |

### Footnotes

- 32 LED at 350mA and 530mA are not compatible with 347-480V.
- 347-480V not compatible with optional dimming or optional programming.

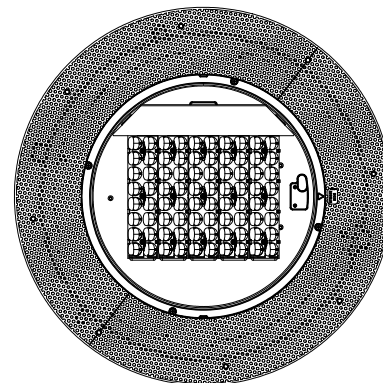
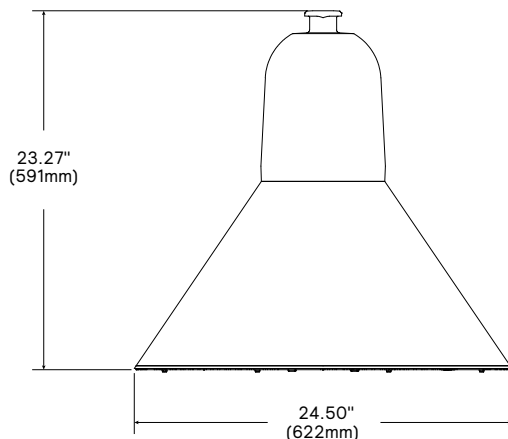


# CXF5 PIMA

## Pendant

### Dimensions

|                         |                   |
|-------------------------|-------------------|
| <b>Width</b>            | 24-1/2" diameter  |
| <b>Height</b>           | 23-3/8"           |
| <b>EPA</b>              | 1.52 sq. ft       |
| <b>Weight (maximum)</b> | 44 lbs (19.96 kg) |



### Predicted Lumen Depreciation Data

Predicted performance derived from LED manufacturer's data and engineering design estimates, based on IESNA LM-80 methodology. Actual experience may vary due to field application conditions. L70 is the predicted time when LED performance depreciates to 70% of initial lumen output. Calculated per IESNA TM21-11. Published L70 hours limited to 6 times actual LED test hours.

| Ambient Temperature °C | Driver mA | Calculated L <sub>70</sub> Hours | L <sub>70</sub> per TM-21 | Lumen Maintenance % at 60,000 hrs |
|------------------------|-----------|----------------------------------|---------------------------|-----------------------------------|
| 25°C                   | 700 mA    | >100,000 hours                   | >60,000 hours             | >87%                              |

### Field Adjustable Wattage (FAWS) Multiplier Chart

| FAWS Position | Typical Delivered Lumens Multiplier | Typical System Wattage |
|---------------|-------------------------------------|------------------------|
| 1             | 0.31                                | 0.28                   |
| 2             | 0.53                                | 0.50                   |
| 3             | 0.62                                | 0.58                   |
| 4             | 0.70                                | 0.67                   |
| 5             | 0.78                                | 0.75                   |
| 6             | 0.83                                | 0.81                   |
| 7             | 0.89                                | 0.87                   |
| 8             | 0.92                                | 0.91                   |
| 9             | 0.96                                | 0.95                   |
| 10            | 1.00                                | 1.00                   |

**Note:** Typical value accuracy +/- 5%

# CXF5 PIMA

## Pendant

### LED Wattage and Lumen Values: Pima CXF5

| LED Module: 3000K |         |                  |             | Type 2                        |            |                | Type 3                        |            |                | Type 3W                       |            |                | Type 4                        |            |                | Type 4W                       |            |                |
|-------------------|---------|------------------|-------------|-------------------------------|------------|----------------|-------------------------------|------------|----------------|-------------------------------|------------|----------------|-------------------------------|------------|----------------|-------------------------------|------------|----------------|
| Ordering Code     | LED qty | LED Current (mA) | Color Temp. | Delivered Lumens <sup>2</sup> | BUG Rating | Efficacy (LPW) | Delivered Lumens <sup>2</sup> | BUG Rating | Efficacy (LPW) | Delivered Lumens <sup>2</sup> | BUG Rating | Efficacy (LPW) | Delivered Lumens <sup>2</sup> | BUG Rating | Efficacy (LPW) | Delivered Lumens <sup>2</sup> | BUG Rating | Efficacy (LPW) |
| 32-G3-x-730-3     | 32      | 350              | 35          | 4715                          | B1-U0-G1   | 134            | 4601                          | B1-U0-G1   | 131            | 4521                          | B1-U0-G1   | 128            | 4650                          | B1-U0-G1   | 132            | 4516                          | B3-U0-G1   | 128            |
| 32-G3-x-730-5     | 32      | 530              | 51          | 6750                          | B2-U0-G1   | 132            | 6587                          | B1-U0-G1   | 129            | 6473                          | B1-U0-G2   | 126            | 6657                          | B1-U0-G2   | 130            | 6465                          | B3-U0-G1   | 126            |
| 32-G3-x-730-7     | 32      | 700              | 71          | 8405                          | B2-U0-G1   | 119            | 8203                          | B2-U0-G2   | 116            | 8061                          | B2-U0-G2   | 114            | 8290                          | B2-U0-G2   | 118            | 8051                          | B3-U0-G2   | 114            |
| 48-G3-x-730-3     | 48      | 350              | 54          | 6870                          | B2-U0-G1   | 127            | 6705                          | B1-U0-G1   | 124            | 6589                          | B1-U0-G2   | 122            | 6776                          | B1-U0-G2   | 125            | 6580                          | B3-U0-G1   | 122            |
| 48-G3-x-730-5     | 48      | 530              | 80          | 9836                          | B2-U0-G2   | 123            | 9599                          | B2-U0-G2   | 120            | 9433                          | B2-U0-G2   | 118            | 9701                          | B2-U0-G2   | 121            | 9421                          | B3-U0-G2   | 118            |
| 48-G3-x-730-7     | 48      | 700              | 105         | 12249                         | B3-U0-G2   | 117            | 11954                         | B2-U0-G2   | 114            | 11747                         | B2-U0-G2   | 112            | 12081                         | B2-U0-G2   | 115            | 11732                         | B4-U0-G2   | 112            |
| 64-G3-x-730-3     | 64      | 350              | 68          | 7602                          | B2-U0-G1   | 112            | 7418                          | B2-U0-G1   | 109            | 7290                          | B1-U0-G2   | 107            | 7497                          | B2-U0-G2   | 110            | 7281                          | B3-U0-G2   | 107            |
| 64-G3-x-730-5     | 64      | 530              | 99          | 10882                         | B2-U0-G2   | 110            | 10620                         | B2-U0-G2   | 107            | 10437                         | B2-U0-G2   | 105            | 10733                         | B2-U0-G2   | 108            | 10423                         | B4-U0-G2   | 105            |
| 64-G3-x-730-7     | 64      | 700              | 114         | 13552                         | B3-U0-G2   | 119            | 13226                         | B2-U0-G2   | 116            | 12997                         | B2-U0-G2   | 114            | 13367                         | B2-U0-G2   | 117            | 12980                         | B4-U0-G2   | 114            |
| 80-G3-x-730-3     | 80      | 350              | 87          | 10695                         | B2-U0-G2   | 123            | 10438                         | B2-U0-G2   | 120            | 10257                         | B2-U0-G2   | 118            | 10549                         | B2-U0-G2   | 121            | 10244                         | B4-U0-G2   | 118            |
| 80-G3-x-730-5     | 80      | 530              | 126         | 15312                         | B3-U0-G2   | 121            | 14943                         | B3-U0-G2   | 118            | 14684                         | B2-U0-G2   | 116            | 15102                         | B3-U0-G2   | 120            | 14665                         | B4-U0-G2   | 116            |
| 80-G3-x-730-7     | 80      | 700              | 168         | 19068                         | B3-U0-G2   | 113            | 18609                         | B3-U0-G2   | 111            | 18287                         | B3-U0-G3   | 109            | 18807                         | B3-U0-G3   | 112            | 18263                         | B4-U0-G2   | 109            |

| LED Module: 4000K |         |                  |             | Type 2                        |            |                | Type 3                        |            |                | Type 3W                       |            |                | Type 4                        |            |                | Type 4W                       |            |                |
|-------------------|---------|------------------|-------------|-------------------------------|------------|----------------|-------------------------------|------------|----------------|-------------------------------|------------|----------------|-------------------------------|------------|----------------|-------------------------------|------------|----------------|
| Ordering Code     | LED qty | LED Current (mA) | Color Temp. | Delivered Lumens <sup>2</sup> | BUG Rating | Efficacy (LPW) | Delivered Lumens <sup>2</sup> | BUG Rating | Efficacy (LPW) | Delivered Lumens <sup>2</sup> | BUG Rating | Efficacy (LPW) | Delivered Lumens <sup>2</sup> | BUG Rating | Efficacy (LPW) | Delivered Lumens <sup>2</sup> | BUG Rating | Efficacy (LPW) |
| 32-G3-x-740-3     | 32      | 350              | 35          | 4950                          | B1-U0-G1   | 141            | 4831                          | B1-U0-G1   | 137            | 4747                          | B1-U0-G1   | 135            | 4882                          | B1-U0-G1   | 139            | 4741                          | B3-U0-G1   | 135            |
| 32-G3-x-740-5     | 32      | 530              | 51          | 7087                          | B2-U0-G1   | 138            | 6916                          | B1-U0-G1   | 135            | 6797                          | B1-U0-G2   | 133            | 6990                          | B1-U0-G2   | 137            | 6788                          | B3-U0-G1   | 133            |
| 32-G3-x-740-7     | 32      | 700              | 71          | 8826                          | B2-U0-G1   | 125            | 8613                          | B2-U0-G2   | 122            | 8464                          | B2-U0-G2   | 120            | 8705                          | B2-U0-G2   | 123            | 8453                          | B3-U0-G2   | 120            |
| 48-G3-x-740-3     | 48      | 350              | 54          | 7214                          | B2-U0-G1   | 134            | 7040                          | B2-U0-G1   | 130            | 6918                          | B1-U0-G2   | 128            | 7115                          | B1-U0-G2   | 132            | 6910                          | B3-U0-G1   | 128            |
| 48-G3-x-740-5     | 48      | 530              | 80          | 10328                         | B2-U0-G2   | 129            | 10079                         | B2-U0-G2   | 126            | 9904                          | B2-U0-G2   | 124            | 10186                         | B2-U0-G2   | 127            | 9892                          | B4-U0-G2   | 124            |
| 48-G3-x-740-7     | 48      | 700              | 105         | 12861                         | B3-U0-G2   | 122            | 12552                         | B2-U0-G2   | 120            | 12334                         | B2-U0-G2   | 117            | 12685                         | B2-U0-G2   | 121            | 12319                         | B4-U0-G2   | 117            |
| 64-G3-x-740-3     | 64      | 350              | 68          | 7982                          | B2-U0-G1   | 117            | 7789                          | B2-U0-G2   | 114            | 7655                          | B1-U0-G2   | 112            | 7872                          | B2-U0-G2   | 116            | 7645                          | B3-U0-G2   | 112            |
| 64-G3-x-740-5     | 64      | 530              | 99          | 11427                         | B3-U0-G2   | 115            | 11151                         | B2-U0-G2   | 112            | 10958                         | B2-U0-G2   | 111            | 11270                         | B2-U0-G2   | 114            | 10944                         | B4-U0-G2   | 110            |
| 64-G3-x-740-7     | 64      | 700              | 114         | 14230                         | B3-U0-G2   | 125            | 13887                         | B3-U0-G2   | 122            | 13647                         | B2-U0-G2   | 120            | 14035                         | B2-U0-G2   | 123            | 13629                         | B4-U0-G2   | 120            |
| 80-G3-x-740-3     | 80      | 350              | 87          | 11230                         | B3-U0-G2   | 129            | 10960                         | B2-U0-G2   | 126            | 10770                         | B2-U0-G2   | 124            | 11076                         | B2-U0-G2   | 127            | 10756                         | B4-U0-G2   | 123            |
| 80-G3-x-740-5     | 80      | 530              | 126         | 16077                         | B3-U0-G2   | 127            | 15690                         | B3-U0-G2   | 124            | 15418                         | B2-U0-G2   | 122            | 15857                         | B3-U0-G2   | 126            | 15399                         | B4-U0-G2   | 122            |
| 80-G3-x-740-7     | 80      | 700              | 168         | 20022                         | B3-U0-G2   | 119            | 19539                         | B3-U0-G2   | 116            | 19201                         | B3-U0-G3   | 114            | 19747                         | B3-U0-G3   | 117            | 19177                         | B4-U0-G2   | 114            |

1. System input wattage may vary based on input voltage, by up to +/- 10% , and based on manufacturer forward voltage, by up to +/- 8%.

2. Lumen values based on photometric tests performed in compliance with IESNA LM-79.

**Note:** Some data may be scaled based on tests of similar, but not identical, luminaires.

# CXF5 PIMA

## Pendant

### Specifications

#### Housing

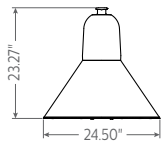
In a round shape, this housing is constructed of low copper die-cast aluminum and 0.090" thick spun aluminum. All non-ferrous fasteners prevent corrosion and ensure longer life.

#### Access-mechanism

The hinged lens frame is cast aluminum with a stainless steel spring latch for tool-less access

#### Mounting

T: Top arm mount



#### Light engine

LED engine is composed of five main components: **Heat Sink, Lens, LED lamp, Optical System, and Driver.** Electrical components are RoHS compliant.

#### LED module

LED type Lumileds LUXEON T. Composed of high-performance white LEDs. Color temperature as per ANSI/NEMA bin Neutral White, 4000 Kelvin nominal (3985K +/- 275K or 3710K to 4260K) or Warm White, 3000 Kelvin nominal (3045K +/- 175K or 2870K to 3220K), CRI 70 Min. 75 Typical.

#### Heat sink

Made of cast aluminum optimizing the LEDs efficiency and life. Product does not use any cooling device with moving parts (only passive cooling device).

#### Finish

Color in accordance with the AAMA 2603 standard. Application of polyester powder coat paint (4 mils/100 microns) with  $\pm 1$  mils / 24 microns of tolerance. The Thermosetting resins provides a discoloration resistant finish in accordance with the ASTM D2244 standard, as well as luster retention in keeping with the ASTM D523 standard and humidity proof in accordance with the ASTM D2247 standard. The surface treatment achieves a minimum of 2000 hours for salt spray resistant finish in accordance with testing performed and per ASTM B117 standard.

#### Optical system

Composed of high performance UV stabilized optical grade polymer refractor lenses to achieve desired distribution optimized to get maximum spacing, target lumens and a superior lighting uniformity. System is rated IP66. Performance shall be tested per LM-63, LM-79 and TM-15 (IESNA) certifying its photometric performance. Type 2, 3, 3W, 4 and Type 5 Street side indicated. House side shield optional (can be field installed) 2H: Type 2 with House Side Shield, 3H: Type 3 short with house side shield, 3WH: Type 3 Wide with House side shield.

#### Driver

Driver comes standard with dimming compatible 0-10V. High power factor of 95%. Electronic driver, operating range 50/60 Hz. Auto adjusting universal voltage input from 120 to 277 VAC rated for both application line to line or line to neutral, Class I, THD of 20% max. Maximum ambient operating temperature from 40°F (4°C) to 130°F (55°C). Certified in compliance to UL1310 cULus requirement (dry and damp location). Assembled on a unitized removable tray with Tyco quick disconnect plug resisting to 221°F (105°C). The current supplying the LEDs will be reduced by the driver if the driver experiences internal overheating as a protection to the LEDs and the electrical components. Output is protected from short circuits, voltage overload and current overload. Automatic recovery after correction. Standard built in driver surge protection of 2.5kV (min).

**DA:** 4 Hrs 25% Reduction

**DB:** 4 Hrs 50% Reduction

**DC:** 4 Hrs 75% Reduction

**DD:** 6 Hrs 25% Reduction

**DE:** 6 Hrs 50% Reduction

**DF:** 6 Hrs 75% Reduction

**DG:** 8 Hrs 25% Reduction

**DH:** 8 Hrs 50% Reduction

**DJ:** 8 Hrs 75% Reduction

**DALI:** Pre-set driver compatible with the the DALI logarithmic control system.

**FAWS:** Field Adjustable Wattage Selector, pre-set to the highest position, can be easily switched in the field to the required position. This reduces total luminaire wattage consumption and reduces the light level – see the FAWS multiplier chart for more details. **Note:** It is not recommended to use FAWS with other dimming or controls; if you do, set the switch to position 10 (maximum output) to enable the other dimming or controls. Switching FAWS to any position other than 10 will disable the other dimming or controls.

**SRD:** Sensor Ready Driver including SR communication (used for dimming and other functionalities), 24V auxiliary supply and a logical signal input (LSI) connected to the top NEMA twist lock receptacle.

**SRD1:** Sensor Ready Driver including SR communication (used for dimming and other functionalities) but with 24V auxiliary supply and a logical signal input (LSI) not connected to the top NEMA twist lock.

#### Surge protection

Surge protector tested in accordance with ANSI/IEEE C62.45 per ANSI/IEEE C62.41.2 Scenario I Category C High Exposure 10kV/10kA waveforms for Line Ground, Line Neutral and Neutral Ground, and in accordance with U.S. DOE (Department of Energy) MSSLC (Municipal Solid State Street Lighting Consortium) model specification for LED roadway luminaires electrical immunity requirements for High Test Level 10kV / 10kA.

#### Wiring

Gauge 18 wires. Top mount option come with quick disconnects. Arm mount options provide a 6" Minimum exceeding from luminaire.

#### Hardware

All non-ferrous fasteners prevent corrosion and ensure longer life.

# CXF5 PIMA

## Pendant

### Specifications (cont.)

#### Luminaire useful life

Refer to IES files for energy consumption and delivered lumens for each option. Based on ISTMT in situ thermal testing in accordance with UL1598 and UL8750, using LM-80 data from LED manufacturers and engineering prediction methods, the luminaire useful life is expected to reach 100,000+ hours with >L70 lumen maintenance @ 25°C. (48 LED and 64 LED@700mA is 82,000) Luminaire useful life accounts for LED lumen maintenance and additional factors, including LED life, driver life, PCB substrate, solder joints on/off cycles and burning hours for nominal applications.

#### LED products manufacturing standard

The electronic components sensitive to electrostatic discharge (ESD) such as light emitting diodes (LEDs) are assembled in compliance with IEC61340 5 1 and ANSI/ ESD S20.20 standards so as to eliminate ESD events that could decrease the useful life of the product

#### Quality control

The manufacturer must provide a written confirmation of its ISO 9001 2008 and ISO 14001 2004 International Quality Standards Certification.

#### Vibration resistance

Meets the ANSI C136.31 2001, American National Standard for Roadway Luminaire Vibration specifications for normal Applications.

#### Certifications and Compliance

cETL listed to Canadian safety standards for wet locations. Manufactured to ISO 9001:2008 Standards. UL8750 and UL1598 compliant. ETL listed to U.S. safety standards for wet locations. cETL listed to Canadian safety standards for wet locations. LM80 & LM79 tested. IP Rating: The LED optics chamber is IP66 rated. The LED driver is IP66 rated. Pima LED luminaires are DesignLights Consortium qualified.

#### Warranty

5 year extended warranty.

