



Add detail and style to any space with the Vetro accents and Calculite 6" LED downlights.

Project: \_\_\_\_\_  
 Location: \_\_\_\_\_  
 Cat.No: \_\_\_\_\_  
 Type: \_\_\_\_\_  
 Lamps: \_\_\_\_\_ Qty: \_\_\_\_\_  
 Notes: \_\_\_\_\_

**Complete luminaire = Frame + Trim or Micro Vetro (optional) + Installation Accessories (if required)**

### Decorative Element

example: D6A01 + C6RDL + C6RN

Series	Model	Use with trim kit*	Use with frame-in kits
<b>D6A</b> Decorative Element - 6" Calculite LED - 6" Calculite CFL	<b>02</b> Round acrylic <b>03</b> Round angled double opal glass	<b>LED: C6RDL</b>	<b>LED: 6RN</b>

\* Trim kit must be ordered separately. All combinations required the appropriate Calculite frame-in kit.

Specify Reflector separately. Flangeless trim required for Decorative element. Use specular clear (CL) finish for best performance.

### Features

**1. Decorative element:**

- (01)** Solid high temp, UV resistant composite with open aperture, frosted interior diameter and polished exterior. Satin aluminum ring is mechanically inserted in composite to create drama and intrigue in the element.
- (02)** Solid high temp, UV resistant composite with open aperture, frosted interior diameter and polished exterior. Machined facet along bottom edge.
- (03)** Angled hand blown triplex glass carefully proportioned to each aperture size. Glass is gently and evenly illuminated for clean brightness recognition.
- (04)** Cylindrical hand blown triplex glass carefully proportioned to each aperture size. Glass is gently and evenly illuminated for clean brightness recognition.

- 2. Die cast construction ring:** Exterior edge of construction ring is visible, satin aluminum finish matches diameter of decorative element for a flangeless appearance. Aluminum die cast finish ring with crisp 90° edges conceals all fasteners for a clean finished appearance.
- 3. Integral reflector:** 16 ga. aluminum, 50° visual cutoff to lamp and lamp image. Decorative Element is mechanically attached to reflector via die cast ring. Reflector is specular clear for best performance and aesthetics.
- 4. Reflector:** Specified separately. Flangeless trim required. Use specular clear (CL) finish for best performance and aesthetics.
- 5. Frame-in kit:** Specified separately. See frame-in kit specification sheet for details.

### Mechanical

Decorative element are mechanically secured to the die cast construction ring and the integral reflector from the factory.  
 Stamped aluminum cover ring provided on top of decorative element to cover construction ring fasteners.  
 Four #8-32 screws and 4 knurled die-cast thumb screws secure construction ring to frame in kit.

### Labels

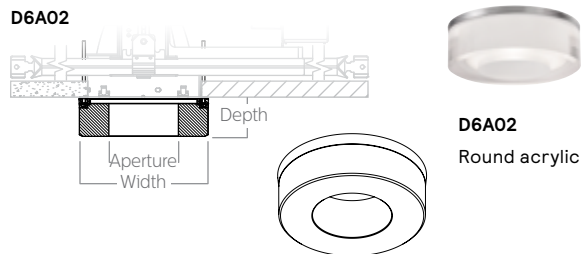
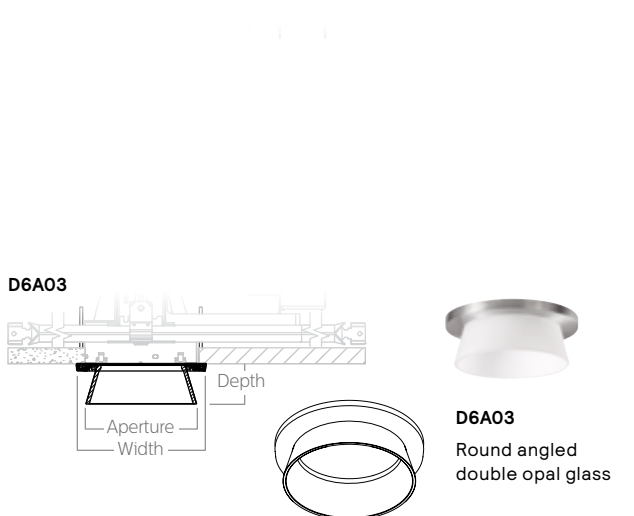
cULus Listed.  
 Suitable for damp locations.



# D6A Vetrol Accessory

## Round decorative elements for Calculite LED 6"

### Dimensions



Cat. No.	Size	Aperture	Width	Depth
D6A02	6"	4" (102 mm)	7½" (191 mm)	1⅞" (48 mm)
D6A03	6"	6⅝" (168 mm)	7¾" (197 mm)	2⅛" (54 mm)

The information presented in this document is not intended as any commercial offer and does not form part of any quotation or contract.

