

Project: \_\_\_\_\_

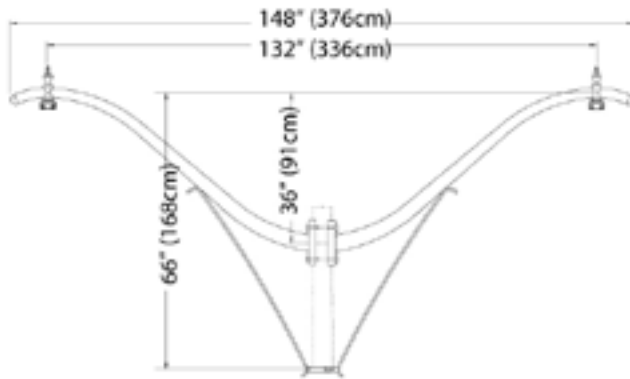
Location: \_\_\_\_\_

Cat.No: \_\_\_\_\_

Type: \_\_\_\_\_

Lamps: \_\_\_\_\_ Qty: \_\_\_\_\_

Notes: \_\_\_\_\_



### Ordering Guide

Example: HFP1420 P4 B F PM

Product Code	HFP1420	Double
<b>Post diameter</b>	P4 P5 P6	4" Post Mount 5" Post Mount 6" Post Mount
<b>Finish</b>	B H G J A	White Bronze Verde Green Black
<b>Arm Accessory</b>	F R N	Finial Twistlock Receptacle None
<b>Post Machining</b>	PM	Post Machining

### Specifications

**HOUSING:**

6063-T6 Extruded aluminum .

**FINISH:**

Thermoset polyester powdercoat is electrostatically applied after a five-stage conversion cleaning process and bonded by heat fusion thermosetting. Laboratory tested for superior weatherability and fade resistance in accordance with ASTM B117 specifications. Polymer has molded-in color and texture for color fastness and durability. For larger projects where a custom color is required, contact the factory for more information.

**CERTIFICATIONS:**

Manufactured to ISO 9001:2008 Standards.

**WARRANTY:**

Three-year limited warranty.

**Height :**

66" (168cm)

**Length:**

132" (336cm)

**Overall Length:**

148" (376cm)

**EPA:**

5.00 sq. ft.

