



Lightolier LyteCaster LED Accent Downlights feature a 3.5" luminaire height that conserves plenum space without compromising the 60° physical and reflected cutoff. The modular and interchangeable light engine allows for an easy future upgrade. The accent downlight is damp location listed and comes in 3 standard finish options.

Project: _____
 Location: _____
 Cat.No: _____
 Type: _____
 Qty: _____
 Notes: _____

Complete luminaire = Frame-in kit + Light engine + Trim Order each separately

Frame

example: L3AE1

Series	Installations	Dimming	Voltage
L3			
L3 LyteCaster 3" Accent	A AirSeal IC, New Construction, Screw AN AirSeal IC, New Construction, Nail C Remodeler Non-IC	E ELV/Triac	1 120V
	N New construction (Non-IC)	Z10 0-10V	U Universal (120-277V)

Light engine

example: L308930NF

Series	Lumens	CRI/CCT	Beam
L3	08		
L3 LyteCaster 3" Accent	08 800lm	927 90 CRI / 2700K	S Spot, 17° NF Narrow flood, 22° F Flood, 30°
		930 90 CRI / 3000K	
		935 90 CRI / 3500K	
		940 90 CRI / 4000K	
		9CW30 90 CRI / 3000K Crisp White	
9PW30 90 CRI / 3000K Premium White			
9PC30 90 CRI / 3000K Premium Color			

Round trim

example: L3RDD

Series	Shape	Style	Finish	Flange
L3	R			
L3 LyteCaster 3" Accent	R Round	D Downlight	C Chrome cone D Diffuse cone W White cone	blank White
		B Baffle downlight	W White baffle	blank White

Accessories

example: L3AHW

Series	Type	Beam	Finish
L3			
L3 LyteCaster 3" Accent	AH Accessory holder	—	W White B Black
	LS Linear lens spread film (accessory holder required)		—
	SD 5° soft diffusion film (accessory holder required)		—
	RP Replacement Optic	S Spot, 17° NF Narrow flood, 22° F Flood, 30°	—



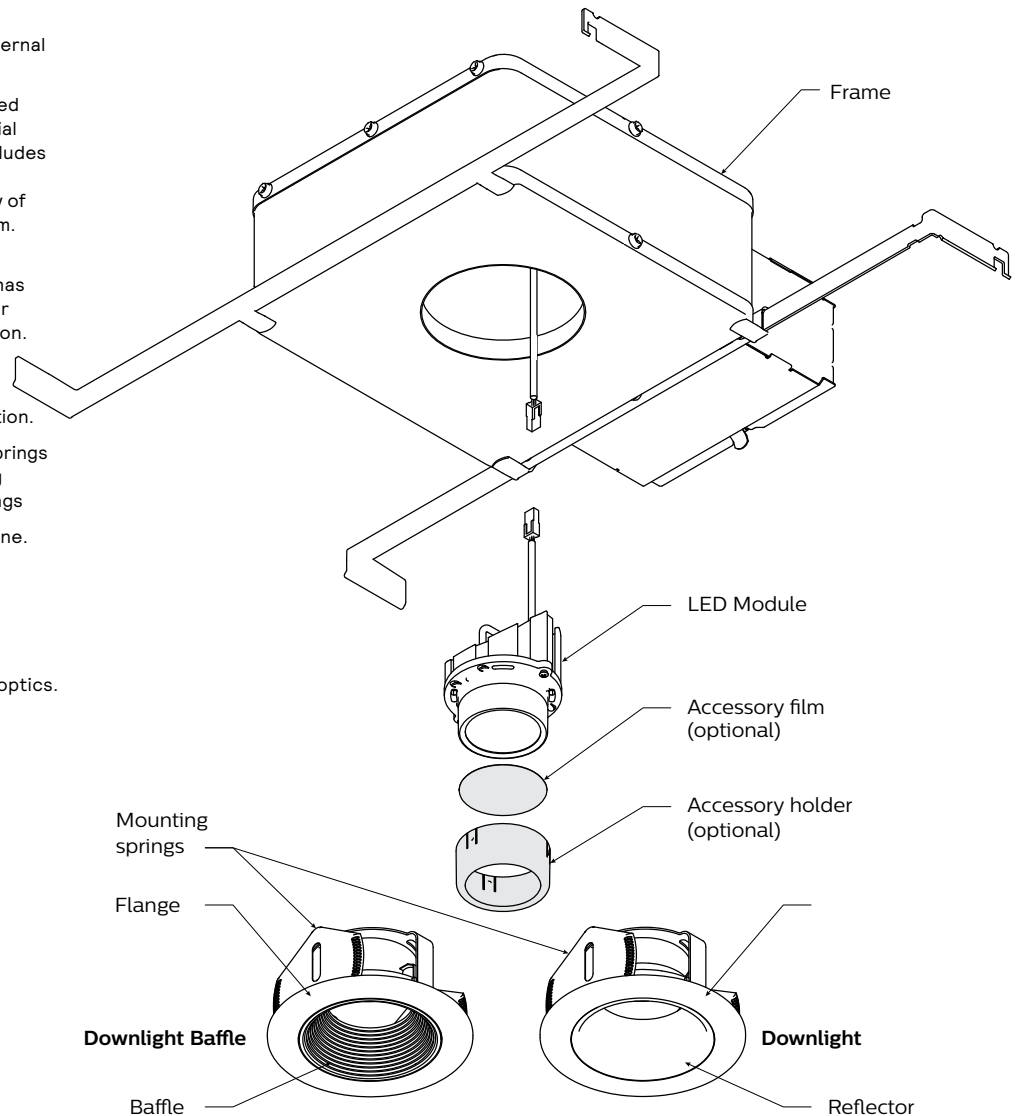
L3RD LyteCaster LED 3" Accent

Round Downlight

Assembled configuration:

1. Frame Galvanized steel construction with internal access door for inspection of junction box.
2. LED Module Extruded Aluminum clear anodized finish heat sink with thermal interface material efficiently transfers heat away from LED. Includes strain relieved low voltage whip with snap interconnector for quick, tool-less assembly of power connection. Tool-less assembly to trim.
3. Accessory Film (Optional) Available film accessories: 0.010 thick Linear spread film has notch to assist with beam orientation Holder required; only one film allowed per installation.
4. Accessory Holder (Optional) painted steel. Accessory holder snaps onto LED Module. Can be installed before or after trim installation.
5. Mounting springs stainless steel mounting springs min 0.013" thick provide a universal mounting solution between the different frame offerings
6. Downlight Reflector: Aluminum Reflector Cone.
7. Step Baffle: Molded polymeric material.
8. Die Cast Aluminum Trim Flange.

Note: LED module allows for field replaceable optics.
Order separately.

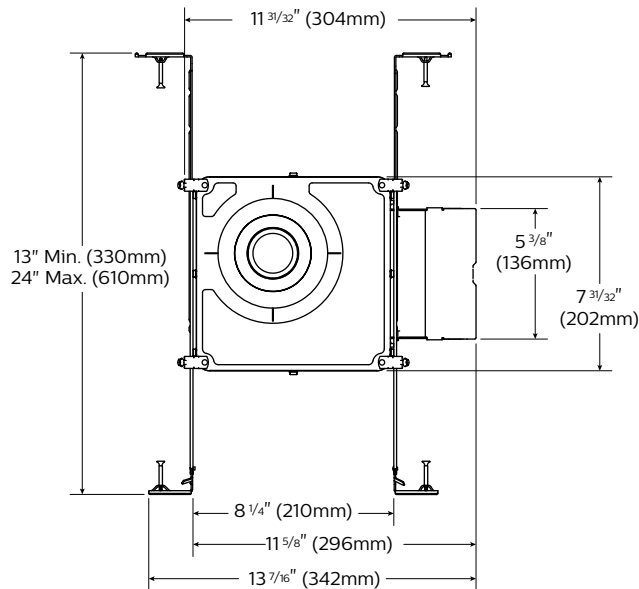


L3RD LyteCaster LED 3" Accent

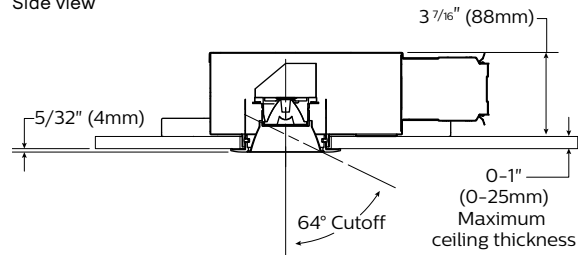
Round Downlight

L3AE1 & L3ANE1 new construction in IC AirSeal frame-in kits

Bottom view

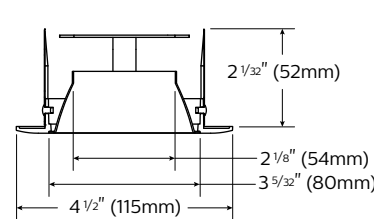


Side view

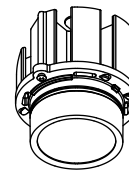


Round trim

Side view



Light engine



Features

- Housing:** #23 ga. (.026") thick Galvanized steel. cULus listed for direct contact with thermal insulation (IC rated). AirSeal housing minimizes air leakage to less than 2 CFM at 1.57PSF (or 75PA), which complies with Title 24, the International Energy Conservation Code, and Washington State Energy Code (Section 502.4). This helps reduce heat loss and condensation in ceiling. Internal access door for inspection of junction box.
- Lower frame and top cover:** #23 ga. (.026") thick Galvanized steel. Accommodates ceilings up to 1" (25.4 mm) thick. Bottom cover provided with a 0.5" (6.2mm) lip and 4 embossed indicator lines to simplify alignment during installation. Housing can be locked into position on the mounting bars with locking screws.
- Junction box:** 2 1/2" (64mm) x 5 3/8" (137mm) x 2" (51mm) #21 ga. (.032") thick galvanized steel, cULus listed 90 degrees C rated supply conductors. Rated for branch circuit wiring supplying connected luminaires (daisy chaining).
- Mounting bars:** #16 ga. (.059") thick galvanized steel. Bars pivot for easy attachment and wire in from below the ceiling line. Bars can extend to accommodate 16" (406mm) to 24" (610mm) O.C. joist spacing. Bars can accommodate 12" (305mm) O.C. joist spacing after slight field modification (see instruction sheet). Features integral self-tapping screw phillips/square drive for attachment to wood or metal construction. Also available with integral nails (N). Attaches to T-bar ceilings without accessories. Bars installed on shortest dimension of frame can be easily rotated 90° from original position.
- Electronic dimming driver:** Class 2 electronic LED Driver, with less than 1 second start up, RoHS compliant, suitable for damp locations. 120v 50/06Hz >0.9 power factor. Sound rating Class "A" (<24dB). Complies with FCC, CFR title 47 part 15 Class B for EMI/RFI. Dimmable with standard electronic low voltage (ELV) & Triac dimmers. Dims to less than or equal to 10% of relative high output. 5 year limited warranty.
- Ceiling cutout:** 3 3/4" diameter.
- Optics:**
 - Standard:** 3SDCM fixture-to-fixture color match.
 - Crisp White (CW30):** Available in 90CRI / 3000K only, our 90CRI CrispWhite technology combines the warm, saturated colors of high CRI with crisp and vibrant whites. The small form factor and high quality of light make this an impactful option for retail display areas.
 - Premium White (PW30):** Available in 90CRI/3000K only, the new benchmark in retail fashion, delivering stronger, brighter whites via the best technology in the market, but with minimal compromise on energy savings.
 - Premium Color (PC30):** Available in 90CRI/3000K only, provides vivid and robust colors that pop while maintaining a strong ambient white and bold black balance in any space. This LED technology is sure to add positive energy to varying application needs.

Electrical

Input voltage: 120V
Input frequency: 50/60Hz
Input current: 0.25A
Input Power: 12W
Power factor: >0.9

Labels

cULus type IC listed suitable for damp locations.

AirSeal - Rated for installation in insulated ceilings. Air-tite rated per ASTM E283.

Compliant to California Title 24 JA8, and certified to the Title 20 appliance database. E1 frames only.

Energy Star qualified configurations available.

Warranty

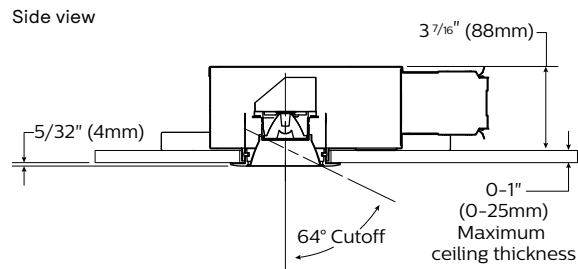
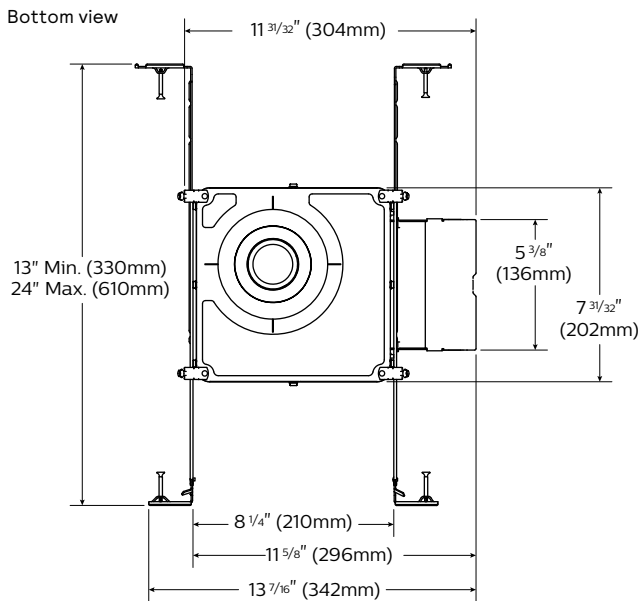


5 year limited warranty
Visit Signify.com/warranties
for more information on Signify's
standard 5-year limited warranty
on complete luminaire systems.

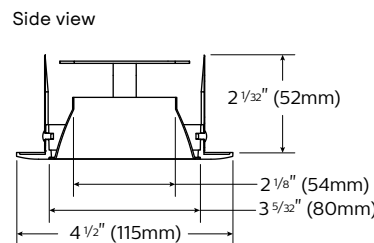
L3RD LyteCaster LED 3" Accent

Round Downlight

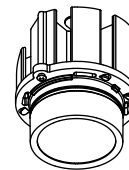
L3NZ10V New construction Non-IC 0-10V frame-in kit



Round trim



Light engine



Features

- Non-IC housing:** #23 ga. (.026") thick Galvanized steel. cULus listed for damp locations. AirSeal housing minimizes air leakage to less than 2CFM at 1.57 PSF (or 75PA), complies with Title 24, International Energy Conservation Code, and Washington State Energy Code (section 502.4) Frame provided with internal access door for inspection of junction box.
- Lower frame and top cover:** #23 ga. (.026") thick Galvanized steel. Accommodates ceilings up to 1" (25.4 mm) thick. Bottom cover provided with a .5" (6.2mm) lip and 4 embossed indicator lines to simplify alignment during installation. Housing can be locked into position on the mounting bars with locking screws.3. **Junction box:** 2 1/2" (64mm) x 5 3/8" (137mm) x 2" (51mm) #21 ga. (.032") thick galvanized steel, cULus listed 90 degrees C rated supply conductors. Rated for branch circuit wiring supplying connected luminaires (daisy chaining).
- Mounting bars:** #16 ga. (.059") thick galvanized steel. Bars pivot for easy attachment and wire in from below the ceiling line. Bars can extend to accommodate 16" (406mm) to 24" (610mm) O.C. joist spacing. Bars can accommodate 12" (305mm) O.C. joist spacing after slight field modification. (see instruction sheet) Features integral self-tapping screw phillips/square drive screws for attachment to wood or metal construction. Attaches to T-bar ceilings without accessories. Bars installed on shortest dimension of frame can be easily rotated 90° from original position.
- Electronic dimming driver:** Class 2 electronic LED driver, RoHS compliant, suitable for damp location. 120/277v 50/60Hz >.9 power factor. MTP (module thermal protection) current cutback up to 10% to prevent overheating. Sound rating Class "A" (<24dB). Complies with FCC, CFR title 47 part 15 Class A for EMI/RFI. Dimming Protocol (0-10v). Dims to less than or equal to 10% of relative high output.
- Ceiling cutout:** 3 3/4" diameter.
- Optics:**
 - Standard: 3SDCM fixture-to-fixture color match.
 - Crisp White (CW30):** Available in 90CRI / 3000K only, our 90CRI CrispWhite technology combines the warm, saturated colors of high CRI with crisp and vibrant whites. The small form factor and high quality of light make this an impactful option for retail display areas.
 - Premium White (PW30):** Available in 90CRI/3000K only, the new benchmark in retail fashion, delivering stronger, brighter whites via the best technology in the market, but with minimal compromise on energy savings.
 - Premium Color (PC30):** Available in 90CRI/3000K only, provides vivid and robust colors that pop while maintaining a strong ambient white and bold black balance in any space. This LED technology is sure to add positive energy to varying application needs.

Electrical

Input voltage: 120/277V
Input frequency: 50/60Hz
Input current: 0.14A/0.06A
Input Power: 16.4W
Power factor: >0.9

Labels

cULus listed suitable for damp locations.
AirSeal - Rated for installation in insulated ceilings. Air-tite rated per ASTM E283.
Energy Star qualified configurations available.

Warranty



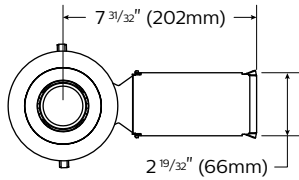
5 year limited warranty
Visit [Signify.com/warranties](https://www.signify.com/warranties) for more information on Signify's standard 5-year limited warranty on complete luminaire systems.

L3RD LyteCaster LED 3" Accent

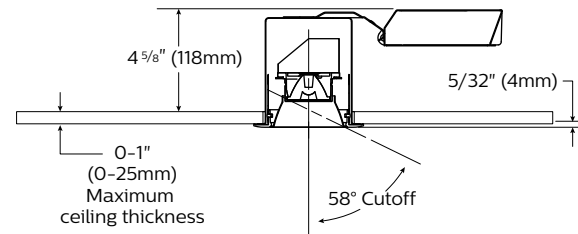
Round Downlight

L3CE1 Non-IC Remodeler kit

Bottom view

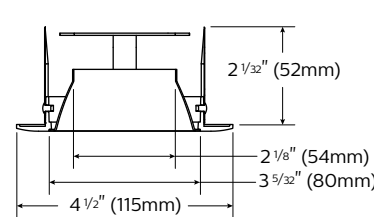


Side view

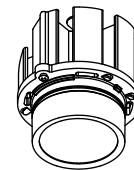


Round trim

Side view



Light engine



Features

- Non-IC housing:** #25 ga. (.025") thick Galvanized steel. Provided with 2 plates steel retaining springs that can accommodate ceiling thickness up to 1" (25.4mm) thick. Philips screw driver required to tighten springs that secure housing to ceiling.
- Junction box:** #22 ga. (.034") thick Galvanized steel. cULus, suitable for damp locations. Junction box assembly swivels for tight plenum spaces. Snap off cover permits wiring access. 0
- Electronic dimming driver** (same as new construction): Class 2 electronic LED Driver, with less than 1 second start up, RoHS compliant, suitable for damp locations. 120v 50/06Hz >.9 power factor. Sound rating Class "A" (<24dB). Complies with FCC, CFR title 47 part 15 Class B for EMI/RFI. Dimmable with standard electronic low voltage (ELV) & Triac dimmers. Dims to less than or equal to 10% of relative high output. 5 year limited warranty.
- Trim compatibility:** Not compatible with adjustable trims except for L3RG series Gimbal.
- Ceiling cutout** 3 3/4" diameter.

6. Optics:

- Standard: 3SDCM fixture-to-fixture color match.
- Crisp White (CW30):** Available in 90CRI / 3000K only, our 90CRI CrispWhite technology combines the warm, saturated colors of high CRI with crisp and vibrant whites. The small form factor and high quality of light make this an impactful option for retail display areas.
- Premium White (PW30):** Available in 90CRI/3000K only, the new benchmark in retail fashion, delivering stronger, brighter whites via the best technology in the market, but with minimal compromise on energy savings.
- Premium Color (PC30):** Available in 90CRI/3000K only, provides vivid and robust colors that pop while maintaining a strong ambient white and bold black balance in any space. This LED technology is sure to add positive energy to varying application needs.

Electrical

Input voltage: 120V
Input frequency: 50/60Hz
Input current: 0.25A
Input Power: 12W
Power factor: >0.9

Labels

cULus type IC listed suitable for damp location.
AirSeal - Rated for installation in insulated ceilings. Air-tite rated per ASTM E283.
Energy Star qualified configurations available.

Warranty



5 year limited warranty
Visit [Signify.com/warranties](https://www.signify.com/warranties)
for more information on Signify's
standard 5-year limited warranty
on complete luminaire systems.

L3RD LyteCaster LED 3" Accent

Round Downlight



AccuRender Technology (CRI 90+)

The right light brings colors to life. Our new AccuRender technology helps ensure colors are rendered more accurately and consistently, while doing so as efficiently as CRI 80 products.



Standard CRI 80

Good color rendering and high efficacy



Standard CRI 90

Better color rendering and low efficacy



AccuRender

Best color rendering, color preference and high efficacy

Enjoy design flexibility

Full range of products and options:

- Available soon in across Lightolier portfolio for application flexibility
- Multiple color temperatures (CCTs) and lumen packages offered

Promote savings

High efficacy, with no penalty:

- Energy efficacy compares well to conventional 80 CRI
- Up to 25% more energy savings vs competitor 90 CRI¹
- Helps meet Title 24 requirements

Show your true colors

High color rendering:

- True to life colors to help energize your environment and render better flesh tones critical for healthcare hospitality and retail applications.
- R_a up to 94 CRI
- R_g up to 67 CRI
- G_s up to 99 CRI
- C₉ up to 94 CRI
- R_r up to 92 TM-30
- R_{r,hi} up to 91 TM-30
- R_g up to 100 TM-30
- R_{cs,hi} up to -5% TM-30

Achieve color balance

Best in class color consistency:

- Promote aesthetic harmony in your space with ≤ 2 SDCM

Electrical Specifications

Frame-in kit	Input Volts	Input Frequency	Input Current	LED Drive Current	Input Power	LED Power	THD Factor @ Max Load	Power Factor @ Max Load
L3AE1	120V	50/60Hz	0.075A	0.22A	9.0W	7.4W	<15%	>0.9
L3ANE1	120V	50/60Hz	0.075A	0.22A	9.0W	7.4W	<15%	>0.9
L3CE1	120V	50/60Hz	0.075A	0.22A	9.0W	7.4W	<15%	>0.9
L3NZ10U	120V	50/60Hz	0.073A	0.22A	8.8W	7.4W	<10%	>0.9
	277V	50/60Hz	0.033A	0.22A	9.0W	7.4W	<10%	>0.9
L3CZ10U	120V	50/60Hz	0.081A	0.22A	9.7W	7.4W	<10%	>0.9
	277V	50/60Hz	0.035A	0.22A	9.7W	7.4W	<10%	>0.9

Dimming Compatibility

Philips Sunrise: **SR1200ZTUNV**
 Leviton Illumatech: **IPX06**
 Leviton Decora: **6615-P, 6633-P**
 Lutron Diva: **DVLEV-303P**
 Lutron Skylark: **SLEV-300P**
 Lutron Maestro: **MAELV-600, MAW-600**

Electronic dimming driver:

Class 2 electronic LED Driver, with less than 1 second start up, RoHS compliant, suitable for damp locations. 120v 50/06Hz >.9 power factor. Sound rating Class "A" (<24dB). Complies with FCC,CFR title 47 part 15 Class B for EMI/RFI. Dimmable with standard electronic low voltage (ELV) & Triac dimmers. Dims to less than or equal to 10% of relative high output. 5 year limited warranty.

L3RD LyteCaster LED 3" Accent

Round Downlight




Photometry (1000lm)

Download
Round 3"
IES Files



Download
REVIT files
& BIM files



Beam Spread	Color Temp (CCT)	Flux (lm)	Power (W)	Efficacy (lm/W)	CRI	R9	Beam Angle	Field Angle	Spacing Criterion	UGR
Spot (S) 	2700K	804	8.9	90.6	92	54	17°	41°	0.309	4.6
	3000K	840	8.9	94.7	92	54	17°	41°	0.309	4.8
	3500K	840	8.9	94.4	92	54	17°	41°	0.309	5.0
	4000K	899	8.9	101.4	92	54	17°	41°	0.309	5.0
	Crisp White	640	8.9	72.2	92	54	17°	41°	0.309	3.8
	Premium White	852	8.9	96.1	92	54	17°	41°	0.309	4.8
	Premium Color	777	8.9	87.6	92	54	17°	41°	0.309	4.6
Narrow Flood (NF) 	2700K	833	8.9	93.6	92	53	22°	44°	0.387	4.2
	3000K	871	8.9	97.8	92	53	22°	44°	0.387	4.4
	3500K	871	8.9	97.8	92	53	22°	44°	0.387	4.5
	4000K	932	8.9	104.7	92	53	22°	44°	0.387	4.6
	Crisp White	664	8.9	74.6	92	53	22°	44°	0.387	3.4
	Premium White	883	8.9	99.2	92	53	22°	44°	0.387	4.4
	Premium Color	805	8.9	90.5	92	53	22°	44°	0.387	4.1
Flood (F) 	2700K	868	8.9	97.7	92	53	34°	64°	0.571	5.4
	3000K	907	8.9	102.0	92	53	34°	64°	0.571	5.6
	3500K	907	8.9	101.9	92	53	34°	64°	0.571	5.7
	4000K	971	8.9	109.2	92	53	34°	64°	0.571	5.8
	Crisp White	691	8.9	77.8	92	53	34°	64°	0.571	4.8
	Premium White	920	8.9	103.5	92	53	34°	64°	0.571	5.6
	Premium Color	839	8.9	94.4	92	53	34°	64°	0.571	5.4

1. Luminaire photometry has been conducted in accordance with IES LM-79-08. IES files can be downloaded by clicking the links in the table above, or online at lightolier.com.
2. Crisp White, Premium White and Premium Color - 3000K results.
3. Color Rendering Index (CRI Ra) and Strong Red (R₉) are calculated in accordance with CIE 013.3-1995.

L3RD LyteCaster LED 3" Accent

Round Downlight

Downlight, Spot beam, 800lm engine, 95lm/W at 9W

Candela Curve		Frame: L3NZ10U Engine: L308935S Trim: L3RDD	Angle	Mean CP	Lms	Zonal lumens & percentages			Single unit data		
						Zone	Lumens	%Luminaire	Height to lighted plane	Initial center beam foot-candles	Beam dia. (ft)*
1375		Output Lms: 841lms	0	5302		0-30	761	90.5%	5'	212	1.7'
		Input Watts: 8.9W	5	4256	328	0-40	817	97.1%	6'	147	2.0'
		CCT: 3500K	10	2061		0-60	837	99.5%	7'	108	2.3'
2750		CRI: 90min	15	990		0-90	841	100.0%	8'	83	2.6'
		Beam Angle: 17°	20	550	288				9'	65	3.0'
		Spacing Crit.: 0.33	25	307							
4125		Efficacy: 94.5lm/w	30	167	145						
		Report: L308935S-L3RDD.ies	35	84							
			40	37	56						
5500			45	19							
			50	9	15						
			55	6							
			60	4	5						
			65	3							
			70	2	3						
			75	1							
			80	1	1						
			85	0							
			90	0	0						

Downlight, Narrow Flood beam, 800lm engine, 95lm/W at 9W

Candela Curve		Frame: L3NZ10U Engine: L308935NF Trim: L3RDD	Angle	Mean CP	Lms	Zonal lumens & percentages			Single unit data		
						Zone	Lumens	%Luminaire	Height to lighted plane	Initial center beam foot-candles	Beam dia. (ft)*
1125		Output Lms: 872lms	0	4281		0-30	789	90.5%	5'	171	1.9'
		Input Watts: 8.9W	5	3668	309	0-40	841	96.4%	6'	119	2.3'
		CCT: 3500K	10	2405		0-60	869	99.7%	7'	87	2.7'
2250		CRI: 90min	15	1246		0-90	872	100.0%	8'	67	3.0'
		Beam Angle: 22°	20	563	349				9'	53	3.4'
		Spacing Crit.: 0.38	25	266							
3375		Efficacy: 98.0lm/w	30	142	131						
		Report: L308935NF-L3RDD.ies	35	80							
			40	43	52						
4500			45	27							
			50	15	21						
			55	7							
			60	5	7						
			65	2							
			70	1	3						
			75	1							
			80	0	1						
			85	0							
			90	0	0						

Downlight, Flood beam, 800lm engine, 95lm/W at 9W

Candela Curve		Frame: L3NZ10U Engine: L308935F Trim: L3RDD	Angle	Mean CP	Lms	Zonal lumens & percentages			Single unit data		
						Zone	Lumens	%Luminaire	Height to lighted plane	Initial center beam foot-candles	Beam dia. (ft)*
625		Output Lms: 907lms	0	2223		0-30	776	85.6%	5'	89	2.8'
		Input Watts: 8.9W	5	2088		0-40	872	96.1%	6'	62	3.4'
		CCT: 3500K	10	1735	188	0-60	902	99.4%	7'	45	3.9'
1250		CRI: 90min	15	1279		0-90	907	100.0%	8'	35	4.5'
		Beam Angle: 34°	20	512	238				9'	27	5.0'
		Spacing Crit.: 0.56	25	291							
1875		Efficacy: 98.0lm/w	30	147	96						
		Report: L308935F-L3RDD.ies	35	62							
			40	27							
2500			45	14	23						
			50	7							
			55	5	7						
			60	3							
			65	2	3						
			70	1							
			75	1	1						
			80	0							
			85	0							
			90	0	0						

1. Wattage: controlled to within 5%.
2. Correlated Color Temperature within specs as defined in ANSI_NEMA_ANSI C78.377-2008: Specifications for the Chromaticity of Solid State Lighting Products.
3. Tested using absolute photometry as specified in LM79: IESNA Approved Method for the Electrical and Photometric Measurements of Solid-State Lighting Products.



© 2023 Signify Holding. All rights reserved. The information provided herein is subject to change, without notice. Signify does not give any representation or warranty as to the accuracy or completeness of the information included herein and shall not be liable for any action in reliance thereon. The information presented in this document is not intended as any commercial offer and does not form part of any quotation or contract, unless otherwise agreed by Signify.

Signify North America Corporation
400 Crossing Blvd, Suite 600
Bridgewater, NJ 08807
Telephone: 800-555-0050

Signify Canada Ltd.
281 Hillmount Road,
Markham, ON, Canada L6C 2S3
Telephone: 800-668-9008

All trademarks are owned by Signify Holding or their respective owners.