



Attention to detail is perhaps the most important aspect of the Lumec **Candela LED** post top and pendant luminaires. From the European inspired nautical design to the wide range of optical systems available, to the wide assortment of complementary products that harmonize with this luminaire, no stone has been left unturned to give decision makers unprecedented flexibility and design options.

Project: _____
 Location: _____
 Cat.No: _____
 Type: _____
 Lamps: _____ Qty: _____
 Notes: _____

Ordering guide: Luminaire

example: CAND1-40W42LED3K-G2-PC-C-RLE5-120-BKTX

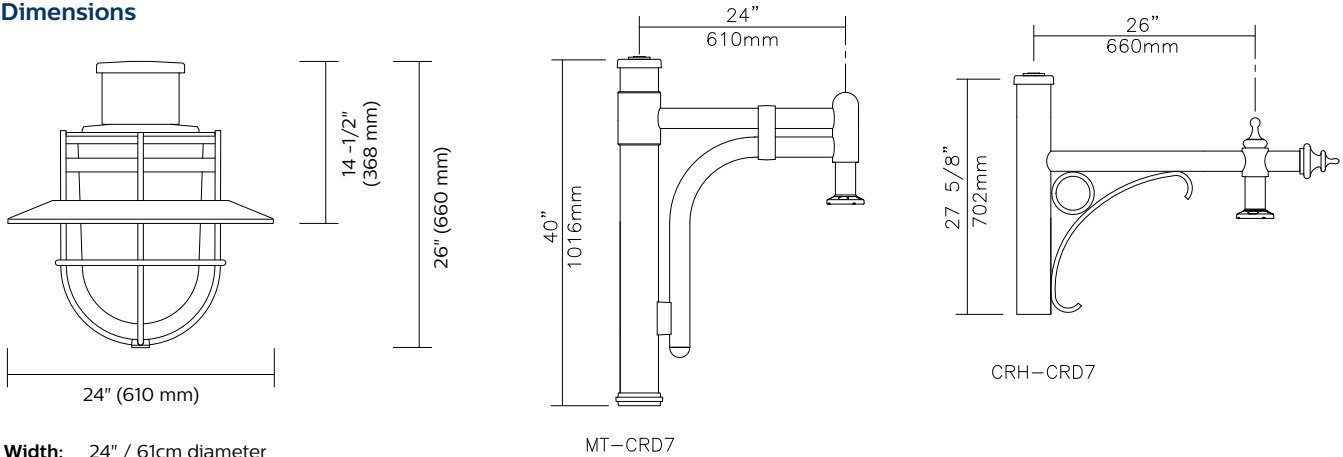
Series	LED module	Generation	Globe material	Globe finish	Optics	Voltage	Luminaire options	Poles and brackets	Finish
CAND1		G2	PC						
CAND1 Candela pendant	3000k 40W42LED3K 65W42LED3K	G2	PC Polycarbonate	C Clear CGB Satin clear	RLE3 Type III (ASYM) RLE5 Type V (SYMM)	120 120V 208 208V 240 240V 277 277V	HS House side shield RCD7 ¹ Receptacle 7 pin Available for this luminaire but must be selected with the bracket. It is not part of the luminaire code. See bracket ordering guide for coding.	Consult with signify.com/outdoorluminaires for details and the complete line of Signify poles and brackets	BE2TX Textured Midnight Blue BE6TX Textured Ocean Blue BE8TX Textured Royal Blue BG2TX Textured Sandstone BKTX Textured Black BRTX Textured Bronze GN4TX Textured Blue Green GN6TX Textured Forest Green GN8TX Textured Dark Forest Green GNTX Textured Green GR Gray Sandtex GY3TX Textured Medium Grey NP Natural Aluminum RD2TX Textured Burgundy RD4TX Textured Scarlet TG Hammertone Gold WHTX Textured White
	4000k 40W42LED4K 65W42LED4K								

1. RCD7 receptacle 7 pin is located on top of the mounting bracket.

CAND1 Candela LED Pendant

Urban Luminaire

Dimensions



Width: 24" / 61cm diameter

Height: 26" / 66cm

EPA: 1.85 sq. ft (*maximum*)

Weight: 58 lbs / 26.4 kg (*maximum*)

Predicted Lumen Depreciation Data

Predicted performance derived from LED manufacturer's data and engineering design estimates, based on IESNA LM-80 methodology. Actual experience may vary due to field application conditions. L70 is the predicted time when LED performance depreciates to 70% of initial lumen output. Calculated per IESNA TM21-11. Published L70 hours limited to 6 times actual LED test hours.

Ambient Temperature °C	Driver mA	Calculated L ₇₀ Hours	L ₇₀ per TM-21	Lumen Maintenance % at 54,000 hrs
25°C	500 mA	>100,000 hours	>54,000 hours	>98%

LED Wattage and Lumen Values: Candela LED pendant CAND1

Ordering Code: 3000K Clear globe	Total LEDs	LED current (mA)	Average System Wattage (W)	Type RLE3			Type RLE5		
				Lumen Output	Efficacy (LPW)	BUG Rating	Lumen Output	Efficacy (LPW)	BUG Rating
40W42LED3K-G2-C	42	333	50	5,538	110	B1-U3-G2	5,510	110	B3-U3-G1
65W42LED3K-G2-C	42	500	70	7,628	109	B2-U3-G2	7,490	107	B3-U3-G1

Ordering Code: 3000K Satin clear globe	Total LEDs	LED current (mA)	Average System Wattage (W)	Type RLE3			Type RLE5		
				Lumen Output	Efficacy (LPW)	BUG Rating	Lumen Output	Efficacy (LPW)	BUG Rating
40W42LED3K-G2-CGB	42	333	50	5,081	108	B1-U3-G2	4,823	96	B2-U3-G2
65W42LED3K-G2-CGB	42	500	70	6,999	100	B2-U3-G3	6,555	93	B3-U3-G2

Actual performance may vary due to installation variables including optics, mounting/ceiling height, dirt depreciation, light loss factor, etc.; highly recommended to confirm performance with a layout - contact Applications at signify.com/outdoorluminaires.
Note: Some data may be scaled based on tests of similar. But not identical luminaires.

CAND1 Candela LED Pendant

Urban Luminaire

LED Wattage and Lumen Values: Candela LED pendant CAND1 continued

Ordering Code: 4000K Clear globe	Total LEDs	LED current (mA)	Average System Wattage (W)	Type RLE3			Type RLE5		
				Lumen Output	Efficacy (LPW)	BUG Rating	Lumen Output	Efficacy (LPW)	BUG Rating
40W42LED4K-G2-C	42	333	50	5,889	117	B2-U3-G2	5,917	118	B3-U3-G1
65W42LED4K-G2-C	42	500	70	8,111	116	B2-U3-G2	8,042	115	B3-U3-G2

Ordering Code: 4000K Satin clear globe	Total LEDs	LED current (mA)	Average System Wattage (W)	Type RLE3			Type RLE5		
				Lumen Output	Efficacy (LPW)	BUG Rating	Lumen Output	Efficacy (LPW)	BUG Rating
40W42LED4K-G2-C	42	333	50	5,403	108	B1-U3-G2	5,178	103	B2-U3-G2
65W42LED4K-G2-C	42	500	70	7,442	106	B2-U4-G3	7,038	100	B3-U3-G3

Actual performance may vary due to installation variables including optics, mounting/ceiling height, dirt depreciation, light loss factor, etc.; highly recommended to confirm performance with a layout - contact Applications at signify.com/outdoorluminares.

Note: Some data may be scaled based on tests of similar. But not identical luminaires.

Specifications:

Housing

In a round shape, this housing is made of cast 356 aluminum, c/w a watertight grommet, mechanically assembled to the bracket with four bolts 3/8-16 UNC. This suspension system permits for a full rotation of the luminaire in 90 degree increments.

Guard: In a round shape, this guard is made of 6063-T5 aluminum 1/2" (13mm) rods and is mechanically assembled to the access-mechanism.

Skirt: Spun 1100-0 aluminum, mechanically assembled on the luminaire.

Access-Mechanism: Rotomatic, die-cast A360 aluminum quarter-turn mechanism with constant-pressure spring-loaded points. The mechanism shall offer tool-free access to the inside of the luminaire. An embedded memory-retentive gasket shall ensure weatherproofing. A red key on the unit shall indicate point of engagement.

Globe: (PC-C), Made of one-piece seamless injection-molded clear polycarbonate. (PC-CGB), Made of one-piece seamless injection-molded clear finish with internal glass bead blast giving a soft diffusing lighting effect. polycarbonate The globe is assembled on the access-mechanism.

LED Engine

Rotomatic tool-free system composed of 4 main components: Heat Sink / LED Module / Optical System / Driver. Electrical components are RoHS compliant. Composed of 42 high-performance white LEDs. Color temperature as per ANSI/NEMA bin Neutral White, 4000 Kelvin nominal (3985K+/- .275K or 3710K to 4260K) or Warm white, 3000 Kelvin nominal (3045K +/- 175K or 2870K to 3220K), CRI 70 Min. 75 Typical.

Heat sink

Made of extruded aluminum optimizing the LEDs efficiency and life. Product does not use any cooling device with moving parts (only passive cooling device)

Optical System

Type 3 and Type 5. Composed of high-performance acrylic lenses to achieve optimized distribution and get maximum spacing. Target lumens will create a perfect lighting uniformity. Performance shall be tested per LM-63, LM-79 and TM-15 (IESNA) certifying its photometric performance. Painted color grey.

Driver

High power factor of 90%. Electronic driver, operating range 50/60 Hz. Auto-adjusting to a voltage between 120 and 277 volt AC rated for both application line to line or line to neutral, Class II, THD of 20% max. Maximum ambient operating temperature from -40F(-40C) to 130F(55C) degrees. Assembled on a unitized removable tray with Tyco quick disconnect plug resisting to 221F(105C) degrees.

Surge protection

Surge protector tested in accordance with ANSI/IEEE C62.45 per ANSI/IEEE C62.41.2 Scenario I Category C High Exposure 10kV/10kA waveforms for Line Ground, Line Neutral and Neutral Ground, and in accordance with U.S. DOE (Department of Energy) MSSLC (Municipal Solid State Street Lighting Consortium) model specification for LED roadway luminaires electrical immunity requirements for High Test Level 10kV / 10kA.

CAND1 Candela LED Pendant

Urban Luminaire

Specification (continued)

Luminaire useful life

Refer to IES files for energy consumption and delivered lumens for each option. Based on ISTMT in situ thermal testing in accordance with UL1598 and UL8750, using LM-80 data from LED manufacturers and engineering prediction methods, the luminaire useful life is expected to reach 100,000+ hours with >L70 lumen maintenance @ 25°C Luminaire useful life accounts for LED lumen maintenance and additional factors, including LED life, driver life, PCB substrate, solder joints on/off cycles and burning hours for nominal applications.

Hardware

All exposed screws shall be complete with Ceramic primer-seal basecoat to reduce seizing of the parts and offers a high resistance to corrosion. All seals and sealing devices are made and/or lined with EPDM and/or silicone and/or rubber.

Wiring

Gauge (#14) TEW/AWM 1015 or 1230 wires, 6" (152mm) minimum exceeding from luminaire

Options

HS House side shield

Finish

Color to be in accordance with the AAMA 2603 standard. Application of polyester powder coat paint (4 mils/100 microns) with ± 1 mils/24 microns of tolerance. The Thermosetting resins provides a discoloration resistant finish in accordance with the ASTM D2244 standard, as well as luster retention in keeping with the ASTM D523 standard and humidity proof in accordance with the ASTM D2247 standard.

The surface treatment achieves a minimum of 2000 hours for salt spray resistant finish in accordance with testing performed and per ASTM B117 standard.

LED products manufacturing standard

Electrostatic discharge (ESD) such as light emitting diodes (LEDs) are assembled in compliance with IEC61340 5 1 and ANSI/ ESD S20.20 standards so as to eliminate ESD

events that could decrease the useful life of the product.

Quality Control

The manufacturer must provide a written confirmation of its ISO 9001 2008 and ISO 14001 2004 International Quality Standards Certification.

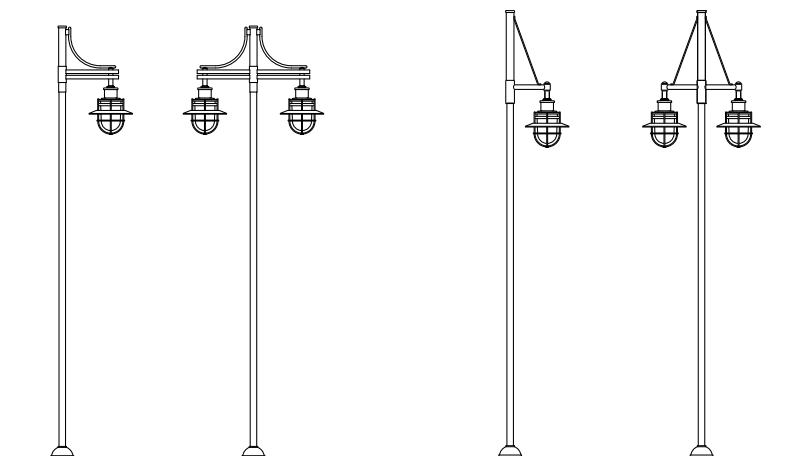
Certifications and Compliance

cULus listed to Canadian safety standards for wet locations. Manufactured to ISO 9001:2008 Standards. UL8750 and UL1598 compliant. UL listed to U.S. safety standards for wet locations. LM80 & LM79 tested. Listed on the DesignLights™ Consortium (DLC) Qualified Products List (QPL).

Warranty

5 year extended warranty.

Assembly examples



CAND1
CN1-1A

CAND1
CN1-2

CAND1
PC-1A

CAND1
PC-2

Consult signify.com/outdoorluminaires for details and the complete line of Signify poles and brackets.

