

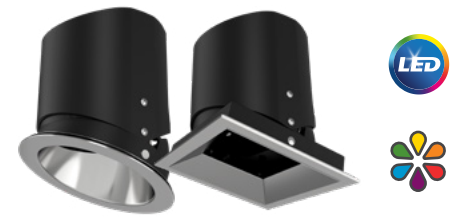
LIGHTOLIER

by @signify

Downlighting

Calculite LED 6" gen 3

C6RA/C6SA Adjustable Accent



Calculite LED 6" generation 3 features industry leading visual comfort and patented installation flexibility. MesoOptics soft focus optical film provides excellent uniform illumination and color consistency at articulated angles. Ideal for use in open office, retail, hospitality, healthcare, and residential applications.

Complete luminaire: Frame + Engine + Trim + Accessories (optional)

Complete remodel luminaire: Engine (R) + Trim + Accessories (optional)

Project: _____
 Location: _____
 Cat.No: _____
 Type: _____
 Qty: _____
 Notes: _____

Frame

example: 6ARN

| Series | Installation | Voltage / Options | | |
|-------------------------------------|------------------------------------|----------------------------------|--------------------------|---|
| <input type="text"/> | | | | |
| 6AR 6" Round for C6R Engine | N Non-IC | – Universal (120V-347V) | LC Chicago Plenum | EM6 Emergency, 6W Self-Test/Self-Diagnostic ² |
| 6AS 6" Square for C6S Engine | A AirSeal (IC) ¹ | – Standard Universal (120V-347V) | | |

Engine

example: C6RA20930NSZ10ULS6010

| Series | Lumens | CRI/CCT | Beam | Dimming | Options | Voltage | Options | Plenum |
|--|--|--|--|--|---|---|---|---------------------------------|
| <input type="text"/> | | | | | | | | |
| C6RA 6" Round Adjustable Accent | 10 1000lm | 927 90CRI/2700K | NS Narrow Spot (13°) ⁵ | Z10 0-10V 1% | -- None D20 Dim to Off (up to 4000lm) | U 120/277V 3 347V (up to 4000lm) | -- Symmetrical soft focus | -- Standard |
| | 15 1500lm | 930 90CRI/3000K | NF Narrow Flood (23°) | | | | | |
| C6SA 6" Square Adjustable Accent | 20 2000lm | 935 90CRI/3500K | FL Flood (33°) ⁵ | L01 Lutron PEQO 0.1% (up to 2000lm) L1 Lutron LDE1 1% (up to 4000lm) LD Lutron L3D 1% (up to 4000lm) LTW Lutron T-Series tunable white (for 96T CRI/CCT only) DALI DALI 0.1% ⁷ SOL EldoLED Solo 0-10V 0.1% (up to 5000lm) DMX Digital Multiplexing w/RDM 0.1% (up to 5000lm) RA Interact Pro ⁸ E Forward & Reverse Phase (up to 2500lm) | -- None LIN Linear | U 120/277V For 347V order T347-75VA accessory | LS6010 Linear spread 60x10 ASY8 Asymmetric 8° bend angle ASY21 Asymmetric 21° bend angle | R Remodeler ⁶ |
| | 25 2500lm | 940 90CRI/4000K | WF Wide Flood (52°) | | | | | |
| | 30 3000lm ¹ | 9D2W 90CRI/3000 -1800K ³ | | | | | | |
| | 35 3500lm ¹ | 96T 90CRI/2700 -6500K tunable white ⁴ | | | | | | |
| | 40 4000lm ¹ | | | | | | | |
| | 50 5000lm ^{1*} | | | | | | | |
| | 60 6000lm ^{1*} | | | | | | | |
| | * See product marked spacing requirements on page 9. | | | | | | | |

Trim

example: C6RACL F

| Series | Finish | Flange | Options |
|--|---|--|---|
| <input type="text"/> | | | |
| C6RA 6" Round Adjustable Accent | CL Specular clear | – White (matte) | P Polished (matches aperture) – C6RA round trim only |
| | CC Comfort clear | B Black (matte) | A Aluminum (painted) – C6SA square trim only |
| | CD Comfort clear diffuse | | F Flangeless (requires mud-in ring) |
| | CZ Champagne bronze (C6RA only) | | |
| C6SA 6" Square Adjustable Accent | WT Textured White (painted) | – White (matte) | P Polished (matches aperture) |
| | BZ Textured bronze (painted) | B Black (matte) | F Flangeless (requires mud-in ring) |
| | D Aluminum diffuse (painted) | | |
| | BK Black (C6RA is anodized, C6SA is matte) | – White (matte) | P Polished (matches aperture) |
| BT Textured Black (painted) | | F Flangeless (requires mud-in ring) | |
| | WH White (matte) | – White (matches finish) | |
| | WHAMF White (gloss antimicrobial) | F Flangeless (requires mud-in ring) | |

Optical Accessories (field-installable)

| | |
|-------------------|--------------------------------|
| CA6NSRPO | Narrow Spot upper reflector |
| CA6NFRPO | Narrow Flood upper reflector |
| CA6FLRPO | Flood upper reflector |
| CA6WFRPO | Wide flood upper reflector |
| CL6HCL | Hex cell louver |
| CA6RSYM | 6" symmetrical MesoOptics |
| CA6RLS6010 | 6" 60x10 linear MesoOptics |
| CA6RASY8 | 6" asymmetrical 8° MesoOptics |
| CA6RASY21 | 6" asymmetrical 21° MesoOptics |

Accessories

- CA6RFMR** Mud-in ring for use in 6" Round flangeless trim.
- CA6SFMR** Mud-in ring for use in 6x6 Square flange trim.
- SBA** Interact Ready System Bridge accessory w/integral occupancy & daylight sensor (compatible with all 0-10v options, see SBA spec sheet) – Requires IRT9015 IR remote & Interact Pro App for commissioning.
- T347-75VA** 347:120V step-down transformer for non-IC (N) frame only (see page 2 for details)
- CAEM6** Field installable Bodine BSL6 6W battery pack with self-text/self-diagnostic (for new construction frames, 120-277V).
- CAEM6TSCP** Must be ordered with EM6 frame for remote test switch (see page 2 for details)

- IC rated up to 2500lm with AirSeal (A) frame, above 2500lm non-IC.
- Emergency (EM6) frame requires remote mounted test switch (not compatible with 347V).
- Dim-to-warm (D2W) available only with 0-10V (Z10) and DALI (D) dimming options. See page 7 for lumen, beam, and dimming compatibility.
- Available with 0-10v, DMX, DALI, Lutron T, & RA dimming options. RA to 2500lm, Z10 to 3000lm, DMX/D/LTW to 3500lm. See page 7 for lumen, beam, and dimming compatibility.
- Narrow spot and Flood beams available up to 4000lm.
- For remodeler installations, order light engine and trim only (no frame needed).
- DALI 3500lm and above, and all RA options require linear driver configuration (see page 2 & 6).
- Linear driver profile, enables wireless connected lighting control (see page 6 for details). Specify only with Non-IC (N) frame, not for use with LC, EM6, nor 9D2W options.



C6RA/C6SA Calculite LED 6" gen 3

Round & Square Adjustable Accent

Frame-in-kits

New Construction:

Galvanized stamped steel for dry or plaster ceilings. Pre-installed telescoping mounting bars from 13" to 24". For 4' distances, use 1/2" EMT, 1-1/2" x 1/2" U or C channel.

AirSeal (air-tight/IC):

Galvanized steel housing for dry or plaster ceilings. Pre-installed telescoping mounting bars from 13" to 24". Tested in compliance with ASTM E283 for airtight.

Max ceiling thickness is 1.25" (32 mm)
Min ceiling thickness is 0.5" (12 mm)

Patented install Mounting frame:

- Pre-installed mounting bars for fast and tool-less installs into T-grid & hat channel ceilings.
- Close-cut aperture design eliminates possibility of gap between ceiling opening and reflector flange.
- Separate wiring compartment for wiring frame to building allows inspection prior to light engine install.
- Simple plug-and-play connection between frame and light engine from below ceiling.

Dimming

All configurations are FCC Class A unless otherwise specified.

- Advance 0-10V 1% (Z10), logarithmic curve is standard, specify D20 for factory-set dim-to-off function, consult factory for linear dimming curve.
- EldoLED SOLODrive (SOL) 0-10v 0.1%
- Lutron PEQ0 (L01) Hi-Lume Premier 0.1% EcoSystem
- Lutron LDE1 (L1) EcoSystem 1%
- Lutron L3DA (LD) Hi-Lume A 3-wire 1%
- Electronic low voltage (E) - forward or reverse phase dimming
- DALI (D) - DT6 DALI 0.1%
- DMX (DMX) - Digital Multiplexing with RDM 0.1%

Dimming Options

The following are factory-set options for the SOL, D, and DMX driver options (ex. DMXLIN):

SOL/D/DMX Logarithmic (-) standard
SOL/D/DMX Linear (LIN)
SOL/DMX Square (SQR)

Optical systems

Quality of light:

2 SDCM ensures color consistency from fixture to fixture and over the luminaire's long lifetime.

C6RA round trim construction:

Precision spun high grade aluminum reflectors with options for anodized or painted finishes.

C6SA square trim construction:

Precision die-cast aluminum reflectors with options for anodized or painted finishes.

Color rendering:

Consistent CRI of greater than 90 across the spectrum.

Dim to warm (D2W):

Delivered CCT gradually warms from 3000-1800K along dimming range. 0-10V (Z10) or DALI (D) dimming only. Fixture-to-fixture consistency of ≤ 3 SDCM at 2700K & 3000K, and ≤ 5 SDCM at 1800K.

Tunable white (6T): 2700K to 6500K CCT.

Use with Z10U (Z10), DALI (D), DMX, Lutron T-series (LTW), or Interact (RA) dimming only. Fixture-to-fixture consistency of ≤ 3 SDCM at 2700K, 5000K, & 6500K CCT.

Diffusion Media

- PET film containing surface relieved, microscopic light diffusing structures/elements
- Optimizes luminaire efficacy via high optical transmission.
- Homogenizes light engine luminance providing smooth gradients of light.
- Other distribution options available including linear spread and asymmetric.
- Hex cell louver may be ordered factory or field installed. Works with media holder supplied with original light engine.
- All media factory or field assembled to primary optic via integral holder.

Light engine

Quick connect power pack allows for easy installation and replacement from below ceiling with no need for additional wiring. This allows for:

- Frame and ceiling installation to be performed while still finalizing details such as lumen packages, CCT and control type.
- Easy replacement of electronics at end of life with minimal wasted material and labor required.
- Ease and upgradability of technology.

347V light engines are Z10 dimming only and include dedicated 347V driver. For 347V non-Z10 dimming, order T347-75VA field-installed step-down transformer accessory.

Predicted 90% lumen maintenance to 60,000 hours at 30C ambient.

Emergency

- Bodine BSL6 6W battery pack with self-test/diagnostic functionality installed.
- Indicator light/test switch mounted remote.
- CAEM6TSCP accessory ceiling plate to remote mount test switch. Required with EM6 frame.

Adjustability



- 45° vertical tilt, mechanical aiming with lock and indicator
- 362° rotation with lock
- Field changeable optics

Options and Accessories

Field Installed Emergency: Refer to Calculite-LyteProfile-EasyLyte Emergency Battery Pack specification sheet for more details.

C6RA round flangeless mud-in ring:

CA6RFMR - round mud-in ring for plaster installs.

C6SA square flangeless mud-in ring:

CA6SFMR - square mud-in ring for plaster installs.

CAEM6TSCP: Ceiling cover plate for remote

mounted EM6 test switch. 1/2" (25mm) hole, 4 3/8" (109mm) x 2 3/4" (69mm) rectangular. Includes two mounting screws.

CAEM6: Field install EM6 kit with Bodine BSL6 6W battery pack with self-test/self-diagnostic, mounts to new construction frames. Includes remote ceiling plate for test switch.

SBA: Interact Ready System Bridge Accessory Requires IRT9015 IR remote and Interact Pro App for commissioning.

T347-75VA: Field installable 347:120V 75VA step-down transformer, attaches to knock out on frame junction box, for use with non-IC (N) frame only. Not available with EM6 frame option.

Labels and Listings

- cULus listed for damp locations (wet loc. available)
- RoHS certified
- CCEA (frames with *LC suffix)

Warranty



5 year limited warranty

Visit [Signify.com/warranties](https://www.signify.com/warranties) for more information on Signify's standard 5-year limited warranty on complete luminaire systems.

C6RA/C6SA Calculite LED 6" gen 3

Round & Square Adjustable Accent

Polished Reflectors



Specular clear (CL): Most specular and most efficient finish, delivers maximum photometric performance but can produce a mirror image effect of the interior space.



Champagne bronze (CZ): Semi-specular finish that softens light at the source of the reflector while providing a warmer reflector appearance (slightly warmer). C6RA round only.



Comfort clear (CC): Semi-specular finish that softens the light at the source of the reflector and creates a subtle, even luminance from the reflector cone.



White (WH): (matte) Brightest illuminated aperture and provides the smoothest transition to most ceilings when off (white is only available with a white flange).



Comfort clear diffuse (CD): Slightly diffuse clear finish, that eliminates iridescence and reduces the mirror image effect inherent with specular finishes.



Black (BK): (anodized for C6RA, painted for C6SA) Specular finish that provides the lowest aperture brightness possible and significantly reduces source identification in a ceiling.



Vandal proof (VP): Provides an elegant solution for vandal resistant needs. One piece machined aluminum ring with impact resistant clear lens. Flangeless (F) flange must be ordered (C6RA round only). Provides the luminaire with an IK10 impact and IP65 rating.

Flanges



White (-): (matte) Provides the smoothest transition to ceilings when off.



Polished (P): (matches aperture) Produces a continuous look throughout the reflector (aperture matching). Not available for square trims with CL, CD, CC, and CZ finishes.



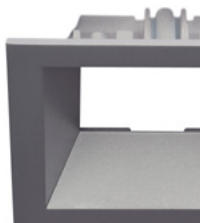
Aluminum (A): Painted aluminum finish for square flanges to more closely match visual appearance of anodized inner trim finish. C6SA trims only.



Flangeless (F): (flush-mount) Creates a flush, virtually seamless transition from aperture to ceiling.

Textured Reflectors

Shown as square reflectors but represent the finish of Calculite round reflectors.



Aluminum diffuse (D):
Matte painted finish.



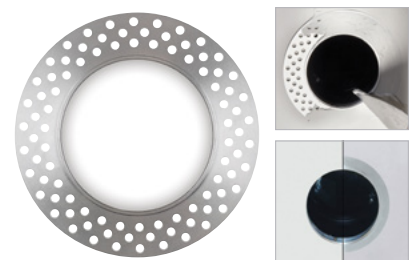
Textured white (WT):
Matte painted finish.



Textured black (BT):
Matte painted finish.



Bronze (BZ):
Matte painted finish.

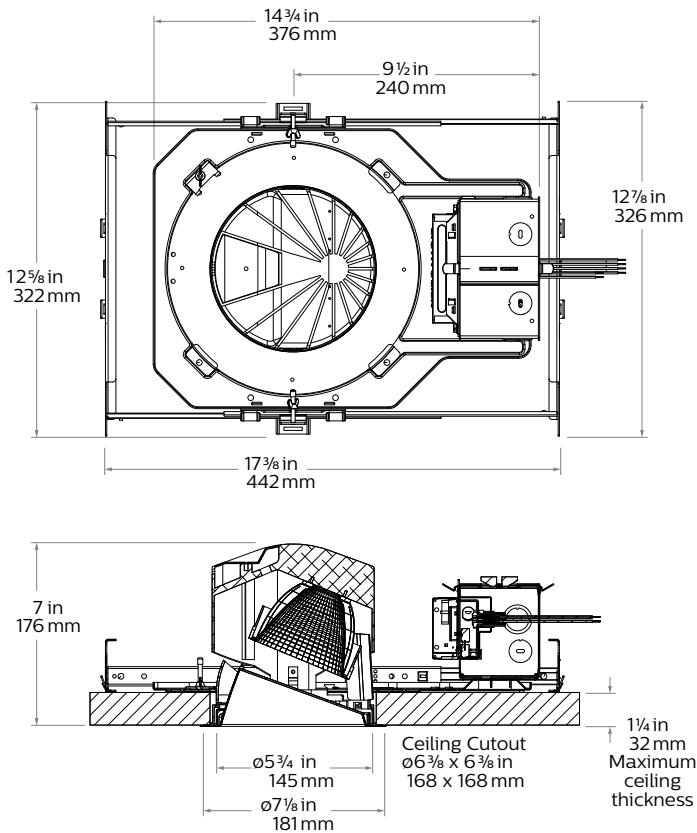


Mud-in ring (FMR): Low profile, non-metallic mud-in ring provides a raised rib to plaster up to and a 3/16" flange thickness. The ring is attached to the ceiling material as opposed to the frame-in kit to avoid conduction of heat and vibration which can cause yellowing or cracking of the plaster.

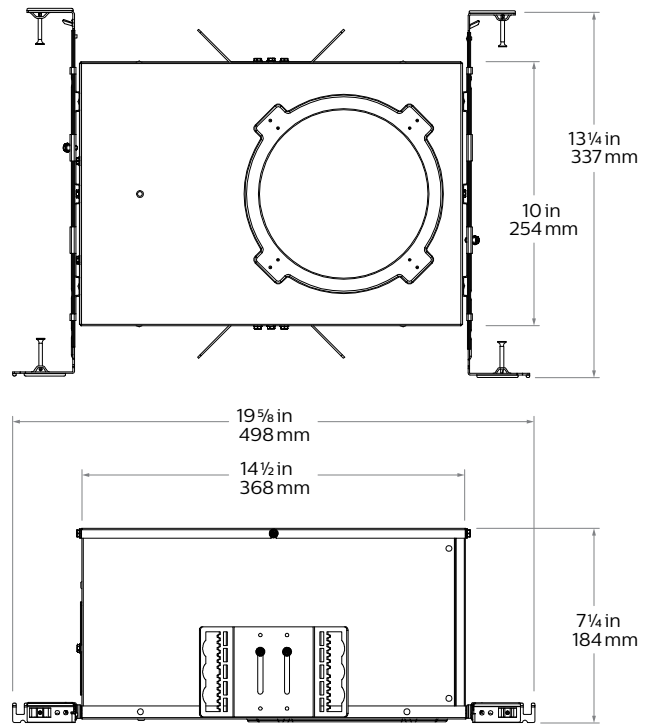
C6RA Calculite LED 6" gen 3

Round Adjustable Accent

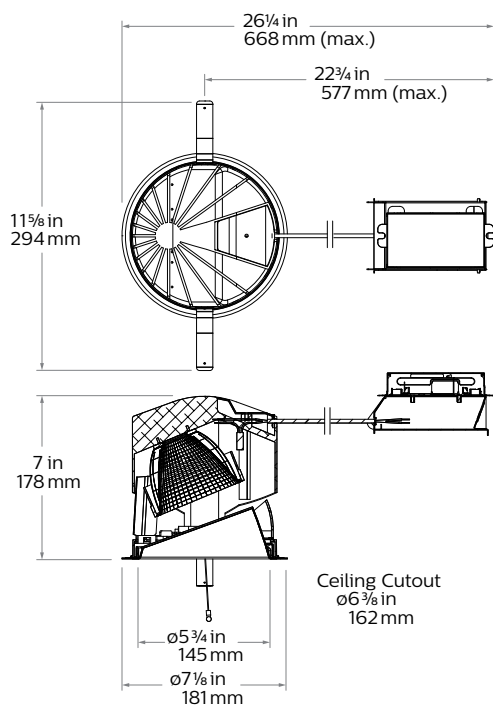
New Construction (N)



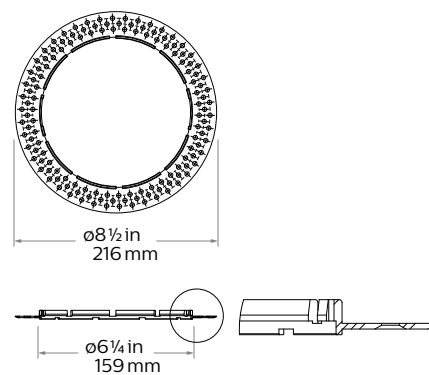
AirSeal (A) & Chicago plenum (LC)



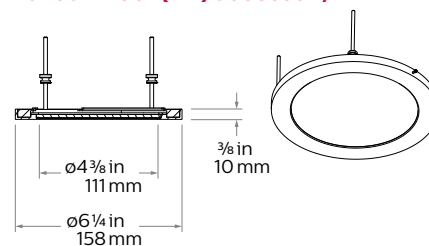
Remodeler (R)



Flangeless mud-in ring (CA6RFT) accessory



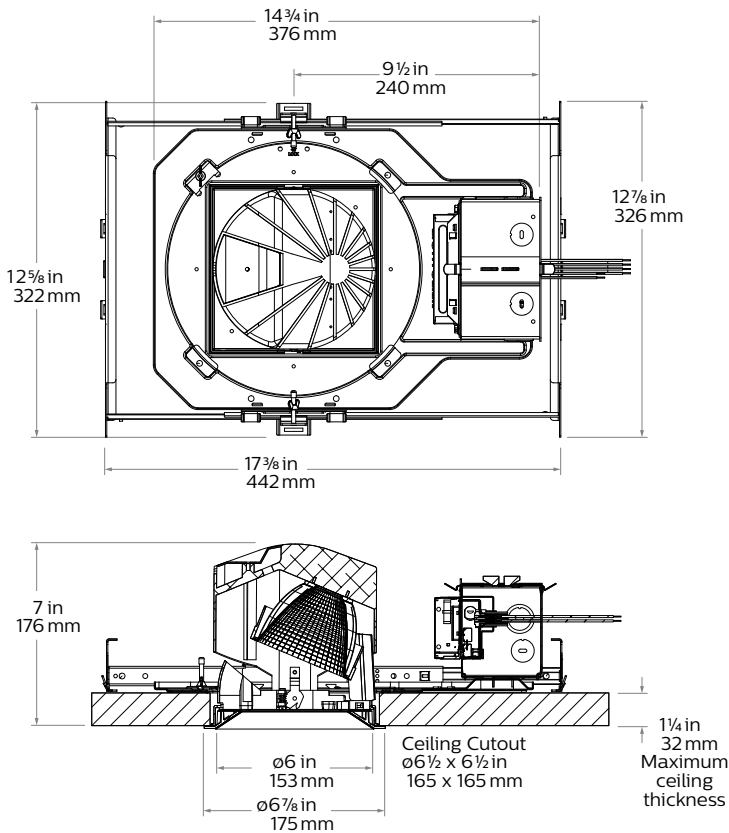
Vandal Proof (VP) accessory



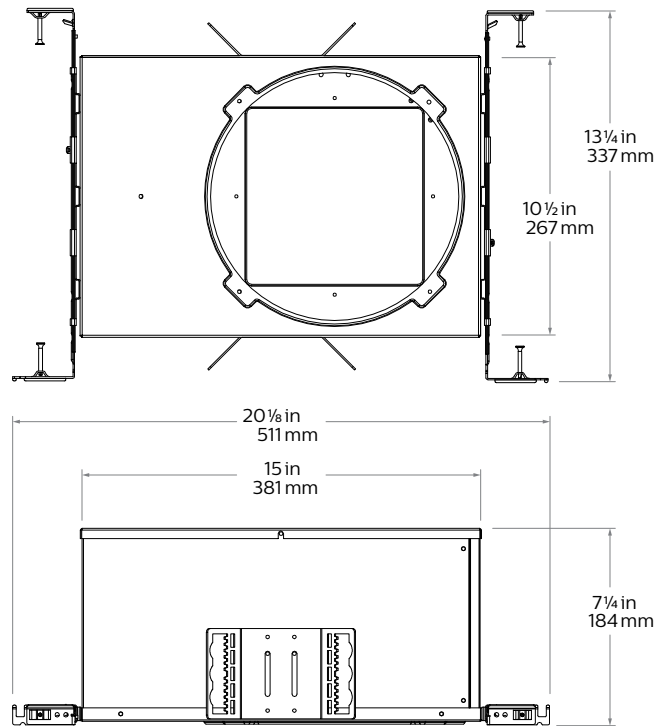
C6SA Calculite LED 6" gen 3

Square Adjustable Accent

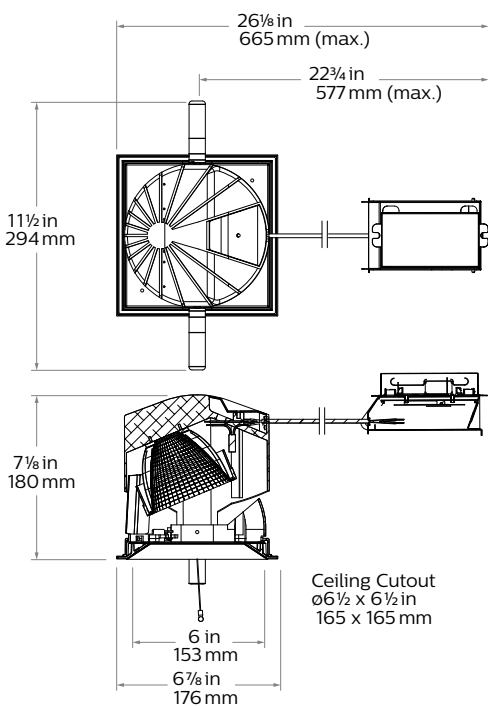
New Construction (N)



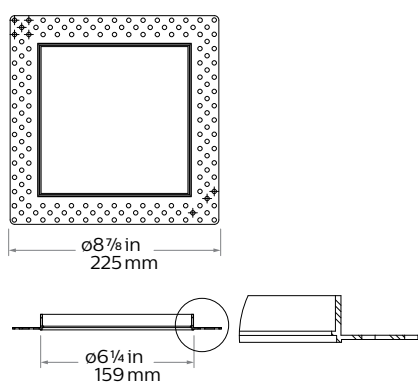
Chicago Plenum (LC)



Remodeler (R)



Flangeless mud-in ring (CA6RFT) accessory

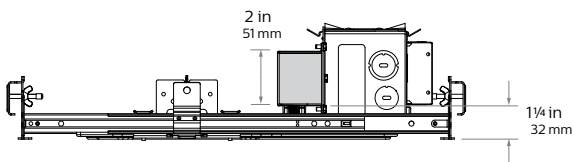
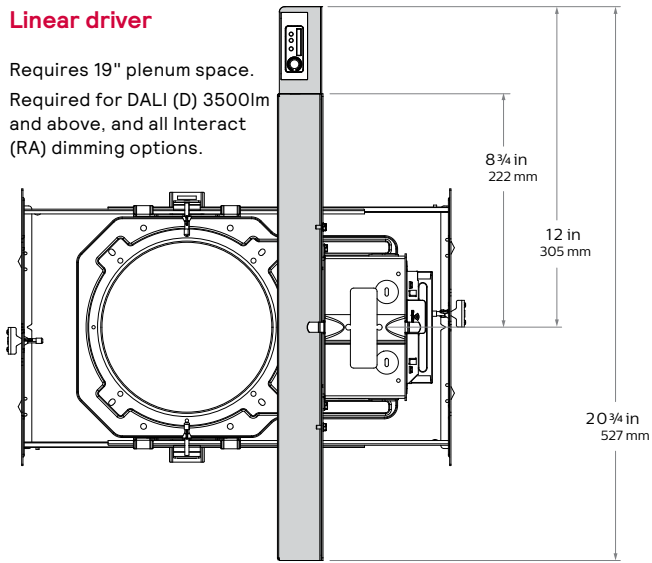


C6RA/C6SA Calculite LED 6" gen 3

Round & Square Adjustable Accent

Linear driver

Requires 19" plenum space.
Required for DALI (D) 3500lm
and above, and all Interact
(RA) dimming options.



C6RA/C6SA Calculite LED 6" gen 3

Round & Square Adjustable Accent



AccuRender Technology (CRI 90+)

The right light brings colors to life. Our new AccuRender technology helps ensure colors are rendered more accurately and consistently, while doing so as efficiently as CRI 80 products.



Standard CRI 80
Good color rendering and high efficacy



Standard CRI 90
Better color rendering and low efficacy



AccuRender
Best color rendering, color preference and high efficacy

Enjoy design flexibility

Full range of products and options:

- Available soon in across Lightolier portfolio for application flexibility
- Multiple color temperatures (CCTs) and lumen packages offered

Promote savings

High efficacy, with no penalty:

- Energy efficacy compares well to conventional 80 CRI
- Up to 25% more energy savings vs competitor 90 CRI¹
- Helps meet Title 24 requirements

Show your true colors

High color rendering:

- True to life colors that help energize your environment and render better flesh tones critical for healthcare hospitality and retail applications.
- R_a up to 94 CRI
- R_g up to 67 CRI
- G_a up to 99 CRI
- C_g up to 94 CRI
- R_f up to 92 TM-30
- R_{g,ht} up to 91 TM-30
- R_g up to 100 TM-30
- R_{cs,ht} up to -5% TM-30

Achieve color balance

Best in class color consistency:

- Promote aesthetic harmony in your space with ≤ 2 SDCM

Static White

| Lumens | Dimming | | | | | | | | | | | Beam | | | | |
|--------|---------|-----|--------|------|---------|---|-----|----------------|----|-----|----------------|------|----|----|----|----|
| | SOL | Z10 | Z10D20 | Z103 | Z103D20 | E | L01 | L1 | LD | DMX | D | RA | NS | NF | FL | WF |
| 1000 | X | X | X | X | X | X | X | X | X | X | X | L | X | X | X | X |
| 1000 | X | X | X | X | X | X | X | X | X | X | X | L | X | X | X | X |
| 1500 | X | X | X | X | X | X | X | X | X | X | X | L | X | X | X | X |
| 2000 | X | X | X | X | X | X | X | X | X | X | X | L | X | X | X | X |
| 2500 | X | X | X | X | X | X | | X | X | X | X | L | X | X | X | X |
| 3000 | X | X | X | X | X | | | X | X | X | X | L | X | X | X | X |
| 3500 | X | X | X | X | X | | | X | X | X | L ¹ | L | X | X | X | X |
| 4000 | X | X | X | X | X | | | X ² | X | X | L | L | X | X | X | X |
| 5000 | X | X | | | | | | | | X | L | L | | X | | X |
| 6000 | | X | | | | | | | | | L | L | | X | | X |

1. DALI (D) dimming @ 3500lm is linear driver configuration with NS and FL beams.
2. Lutron LDE1 (L1) dimming @ 4000lm available with NF and WF beams.

X Available
L Available with linear driver configuration

Marked spacing applications

| Light engine | 6000lm | Modules marked with an X require marked spacing: |
|--------------------|--------|---|
| All configurations | X | Center-to-center of adjacent luminaires: 24" (610mm) Luminaire center to side building member: 12" (305mm) n accordance with CAN ICES-005-A/NEB-005-A & FCC Part 15-A |

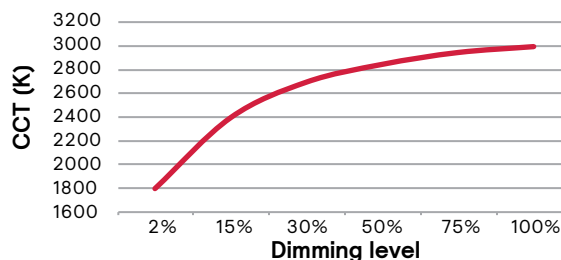
Tunable White (96T)

| Lumens | Dimming | | | | | Beam | | | | |
|--------|---------|---|-----|-----|----|------|----|----|----|--|
| | Z10 | D | DMX | LTW | RA | NS | NF | FL | WF | |
| 1000 | X | X | X | X | L | X | X | X | X | |
| 1500 | X | X | X | X | L | X | X | X | X | |
| 2000 | X | X | X | X | L | | X | | X | |
| 2500 | X | X | X | X | L | | X | | X | |
| 3000 | X | X | X | X | | | X | | X | |
| 3500 | | X | X | X | | | X | | X | |

Dim-to-Warm (9D2W)

| Lumens | Dimming | | Beam | | | |
|--------|---------|---|------|----|----|----|
| | Z10 | D | NS | NF | FL | WF |
| 1000 | X | X | X | X | X | X |
| 1500 | X | X | X | X | X | X |
| 2000 | X | X | | X | | X |

Dim-to-Warm: CCT vs Dimmed level



C6RA/C6SA Calculite LED 6" gen 3

Round & Square Adjustable Accent

interact

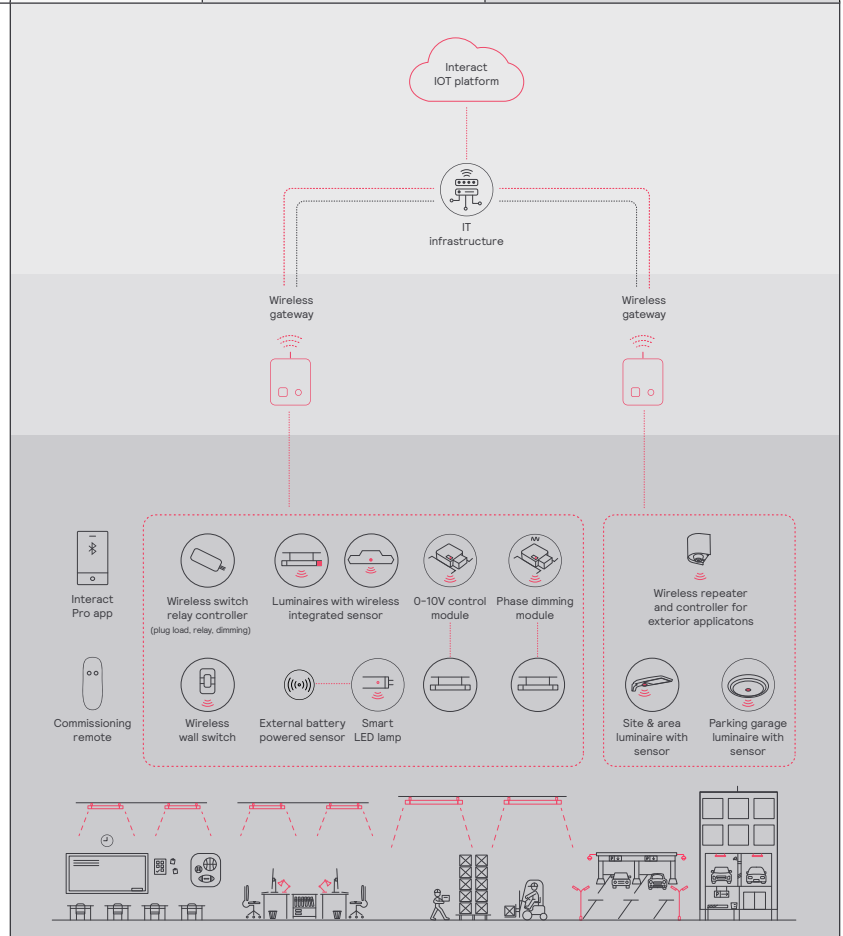
| | Standalone | Gateway | Gateway + IoT |
|---|------------|---------|---------------|
| Dimming, grouping, and zoning | ✓ | ✓ | ✓ |
| Bluetooth and ZigBee enabled | ✓ | ✓ | ✓ |
| Motion sensing and daylight harvesting | ✓ | ✓ | ✓ |
| Integration with 0-10V and phase dimming fixtures | ✓ | ✓ | ✓ |
| Code compliance | ✓ | ✓ | ✓ |
| Granular dimming and dwell time | ✓ | ✓ | ✓ |
| Correlated color temperature (CCT) tuning by switch | New | ✓ | ✓ |
| Support for sensor-based Tunable White luminaires | New | ✓ | ✓ |
| Energy reporting and monitoring | | ✓ | ✓ |
| Scheduling | | ✓ | ✓ |
| Demand response | | ✓ | ✓ |
| BMS integration (BACnet) | | | ✓ |
| Floor plan visualization | | | ✓ |
| IoT sensors for wellness | | | ✓ |
| IoT Apps for productivity | | | ✓ |

Currently supported maximum system size

To be able to design the lighting system correctly for the customer, it is important to know the prime characteristics of the system, its possibilities and limitations.

| System level | |
|--|-----------------|
| Total number of gateways | Unlimited |
| Total number of devices | 200 per network |
| • Luminaires with integrated sensors | 150 |
| • Smart TLEDS | 150 |
| • Zones + groups | 64 |
| Total number of ZGP devices (sensors and switches) | 50 |
| • Sensors | 30 |
| • Switches | 50 |

| Group level | |
|------------------------------|------------------|
| Recommended number of lights | 40 (maximum 150) |
| Number of ZGP devices | 5 |
| Number of scenes | 16 |



C6RA/C6SA Calculite LED 6" gen 3

Round & Square Adjustable Accent

Wireless controls options

Interact

- SWZCS is a connected sensor with integral occupancy and daylight sensing and supports wireless mesh connectivity.
- The sensor works in the standalone mode (similar to SpaceWise) when configured without a gateway or in a cloud connected mode if a compatible gateway is used.
- Interact includes an App, a portal and a broad portfolio of wireless luminaires, lamps and retrofit kits all working on the same system.
- Startup is implemented via Interact Pro App (Android or iPhone) & Bluetooth connectivity. The App provides flexibility to choose between a gateway or non gateway mode for setup.
- Setup with the gateway requires wired internet access to the gateway. It is possible to add a gateway at a later point.
- Prepare project configuration steps remotely and use IRT9015 remote on-site to identify and group devices together.

Compatible with:

- SWS200 & UID8465 wireless scene switch
- Battery powered IP42 presence sensor OCC sensor IA CM WH 10/1
- Battery powered IP42 presence & daylight sensor OCC-DL sensor IA CM IP42 WH
- LCN3110: battery powered IP65 presence sensor, OCC sensor IA CM IP65W
- LCN3120: battery powered IP65 presence & daylight sensor, OCC-DL sensor IA CM IP65 WH
- For more information on Interact visit: interact-lighting.com/interactproscalablesystem

Radio only sensor (RA or RADIO)

- Integral RA or RADIO only sensor simply enables wireless mesh connectivity to the luminaire without any occupancy or daylight sensing.
- Ideal for applications where sensing functionality is managed by other Interact devices and the luminaire only needs to have wireless connectivity.
- Interact includes an App, a portal and a broad portfolio of wireless luminaires, lamps and retrofit kits all working on the same system.
- Startup is implemented via Interact Pro App (Android or iPhone) & Bluetooth connectivity. The App provides flexibility to choose between a gateway or non-gateway mode for setup.
- Setup with the gateway requires wired internet access to the gateway. It is possible to add a gateway at a later point.
- Prepare project configuration steps remotely, identify and group devices together onsite.
- Compatible with SWS200 and UID8465 wireless scene switch, wireless Occ sensor (OCC SENSOR IA CM IP42 WH 10/1) and wireless Day/Occ sensor (OCC MULTI SENSOR IA CM WH 10/1).
- For more information on Interact visit: interact-lighting.com/interactproscalablesystem

Sensor bundle (IAOSB or SB)

- A wireless IoT connected lighting solution for large enterprises that span across multiple floors, buildings and require multiple gateways.
- View all your projects under one dashboard and easily compare insights from multiple projects in one view.
- Compatible with SWS200 wireless scene switch, wireless Occ sensor (OCC SENSOR IA CM IP42 WH 10/1) and wireless Day/Occ sensor (OCC MULTI SENSOR IA CM WH 10/1) and wireless Occupancy or Daylight & Occupancy sensors available. Use Interact software and insights to increase building efficiency, achieve building wide integration and optimize space through occupancy analytics.
- IAOSB or SB option in addition to occupancy and daylights sensing supports advanced IoT capabilities, such as people estimation analysis, desk level temperature & humidity sensing, noise classification, and BLE beacon.
- Requires compatible Gateway and internet connectivity for commissioning.
- For more information, visit: interact-lighting.com/interactproscalablesystem

Emergency Options (ER100)

- **Power Sensing** (factory default) – Recommended UL924 option requires unswitched power sense line, absence of voltage on the normal circuit triggers luminaire to 100% output.
- **Power Interruption Detection** (field option) – Detects AC power interruption >30ms triggers 90 minute emergency mode with luminaire at 100% output.

Interact supported sensor option codes across Genlyte product lines

| | Evokit | Day-Brite | Ledalite | Lightolier |
|---|--------|-----------|----------|--------------------------|
| ZigBee + Bluetooth + Sensing | SWZCS | SWZCS | CS | SBA accessory (external) |
| ZigBee + Bluetooth | RADIO | RADIO | RA | RA |
| ZigBee + Bluetooth + Sensing + Environmental data | IAOSB | IAOSB | SB | SB |
| ZigBee + Highbay + Sensing | - | SWZCSH | - | - |

C6RA/C6SA Calculite LED 6" gen 3

Round & Square Adjustable Accent

Electrical - Static White (NS & FL Beams)

| Light engine | Input volts | Input freq. | Input current | LED Drive current | Input power | LED power | THD @ Max Load | Power @ Max Load |
|--------------------|-------------|-------------|---------------|-------------------|-------------|-----------|----------------|------------------|
| C6_A10_[NS FL]Z10U | 120V | 50/60Hz | 0.072A | 0.22A | 8.6W | 7.0W | <10% | >0.9 |
| | 277V | 50/60Hz | 0.032A | 0.22A | 8.8W | 7.0W | <20% | >0.9 |
| | 347V | 50/60Hz | 0.029A | 0.22A | 10.0W | 7.0W | <30% | >0.9 |
| C6_A15_[NS FL]Z10U | 120V | 50/60Hz | 0.100A | 0.31A | 12.0W | 10.0W | <10% | >0.9 |
| | 277V | 50/60Hz | 0.044A | 0.31A | 12.1W | 10.0W | <10% | >0.9 |
| | 347V | 50/60Hz | 0.040A | 0.31A | 13.7W | 10.0W | <25% | >0.9 |
| C6_A20_[NS FL]Z10U | 120V | 50/60Hz | 0.137A | 0.42A | 16.4W | 13.8W | <10% | >0.9 |
| | 277V | 50/60Hz | 0.060A | 0.42A | 16.5W | 13.8W | <10% | >0.9 |
| | 347V | 50/60Hz | 0.054A | 0.42A | 18.8W | 13.8W | <25% | >0.9 |
| C6_A25_[NS FL]Z10U | 120V | 50/60Hz | 0.173A | 0.53A | 20.8W | 17.7W | <10% | >0.9 |
| | 277V | 50/60Hz | 0.076A | 0.53A | 20.9W | 17.7W | <10% | >0.9 |
| | 347V | 50/60Hz | 0.064A | 0.53A | 22.1W | 17.7W | <20% | >0.9 |
| C6_A30_[NS FL]Z10U | 120V | 50/60Hz | 0.212A | 0.64A | 25.5W | 21.7W | <10% | >0.9 |
| | 277V | 50/60Hz | 0.092A | 0.64A | 25.5W | 21.7W | <10% | >0.9 |
| | 347V | 50/60Hz | 0.078A | 0.64A | 26.9W | 21.7W | <20% | >0.9 |
| C6_A35_[NS FL]Z10U | 120V | 50/60Hz | 0.254A | 0.76A | 30.4W | 26.2W | <10% | >0.9 |
| | 277V | 50/60Hz | 0.110A | 0.76A | 30.4W | 26.2W | <10% | >0.9 |
| | 347V | 50/60Hz | 0.090A | 0.76A | 31.1W | 26.2W | <15% | >0.9 |
| C6_A40_[NS FL]Z10U | 120V | 50/60Hz | 0.306A | 0.90A | 36.7W | 31.6W | <10% | >0.9 |
| | 277V | 50/60Hz | 0.132A | 0.90A | 36.5W | 31.6W | <10% | >0.9 |
| | 347V | 50/60Hz | 0.107A | 0.90A | 37.1W | 31.6W | <10% | >0.9 |

Electrical - Static White (NF & WF Beams)

| Light engine | Input volts | Input freq. | Input current | LED Drive current | Input power | LED power | THD @ Max Load | Power @ Max Load |
|------------------------|-------------|-------------|---------------|-------------------|-------------|-----------|----------------|------------------|
| C6_A10_[NF WF]Z10U | 120V | 50/60Hz | 0.070A | 0.22A | 8.4W | 6.9W | <10% | >0.9 |
| | 277V | 50/60Hz | 0.031A | 0.22A | 8.7W | 6.9W | <20% | >0.9 |
| | 347V | 50/60Hz | 0.028A | 0.22A | 9.8W | 6.9W | <30% | >0.9 |
| C6_A15_[NF WF]Z10U | 120V | 50/60Hz | 0.097A | 0.30A | 11.6W | 9.5W | <10% | >0.9 |
| | 277V | 50/60Hz | 0.043A | 0.30A | 11.8W | 9.5W | <10% | >0.9 |
| | 347V | 50/60Hz | 0.039A | 0.30A | 13.5W | 9.5W | <30% | >0.9 |
| C6_A20_[NF WF]Z10U | 120V | 50/60Hz | 0.128A | 0.40A | 15.3W | 12.9W | <10% | >0.9 |
| | 277V | 50/60Hz | 0.056A | 0.40A | 15.4W | 12.9W | <10% | >0.9 |
| | 347V | 50/60Hz | 0.050A | 0.40A | 17.5W | 12.9W | <25% | >0.9 |
| C6_A25_[NF WF]Z10U | 120V | 50/60Hz | 0.161A | 0.50A | 19.3W | 16.3W | <10% | >0.9 |
| | 277V | 50/60Hz | 0.070A | 0.50A | 19.4W | 16.3W | <10% | >0.9 |
| | 347V | 50/60Hz | 0.061A | 0.50A | 21.3W | 16.3W | <20% | >0.9 |
| C6_A30_[NF WF]Z10U | 120V | 50/60Hz | 0.198A | 0.61A | 23.7W | 20.2W | <10% | >0.9 |
| | 277V | 50/60Hz | 0.086A | 0.61A | 23.7W | 20.2W | <10% | >0.9 |
| | 347V | 50/60Hz | 0.072A | 0.61A | 25.1W | 20.2W | <20% | >0.9 |
| C6_A35_[NF WF]Z10U | 120V | 50/60Hz | 0.235A | 0.72A | 28.2W | 24.1W | <10% | >0.9 |
| | 277V | 50/60Hz | 0.101A | 0.72A | 28.1W | 24.1W | <10% | >0.9 |
| | 347V | 50/60Hz | 0.085A | 0.72A | 29.4W | 24.1W | <15% | >0.9 |
| C6_A40_[NF WF]Z10U | 120V | 50/60Hz | 0.277A | 0.84A | 33.2W | 28.6W | <10% | >0.9 |
| | 277V | 50/60Hz | 0.119A | 0.84A | 33.0W | 28.6W | <10% | >0.9 |
| | 347V | 50/60Hz | 0.097A | 0.84A | 33.6W | 28.6W | <10% | >0.9 |
| C6_A50_[NF WF FL]Z10U | 120V | 50/60Hz | 0.369A | 1.09A | 44.3W | 38.1W | <10% | >0.9 |
| | 277V | 50/60Hz | 0.158A | 1.09A | 43.8W | 38.1W | <10% | >0.9 |
| | 347V | 50/60Hz | 0.128A | 1.09A | 44.5W | 38.1W | <10% | >0.9 |
| C6_A60_[NF WF FL] Z10U | 120V | 50/60Hz | 0.473A | 1.36A | 56.8W | 48.8W | <10% | >0.9 |
| | 277V | 50/60Hz | 0.203A | 1.36A | 56.1W | 48.8W | <10% | >0.9 |
| | 347V | 50/60Hz | 0.164A | 1.36A | 56.8W | 48.8W | <10% | >0.9 |

C6RA/C6SA Calculite LED 6" gen 3

Round & Square Adjustable Accent

Electrical - Dim-to-Warm (NS & FL Beams)

| Light engine | | Input volts | Input freq. | Input current | LED Drive current | Input power | LED power | THD @ Max Load | Power @ Max Load |
|-----------------------|----|-------------|-------------|---------------|-------------------|-------------|-----------|----------------|------------------|
| C6_A10D2W[NS][FL]Z10U | 62 | 120V | 50/60Hz | 0.122A | 0.350A | 14.6W | 12.0W | <10% | >0.9 |
| | 62 | 277V | 50/60Hz | 0.057A | 0.350A | 15.8W | 12.0W | <30% | >0.9 |
| C6_A15D2W[NS][FL]Z10U | 67 | 120V | 50/60Hz | 0.193A | 0.555A | 23.2W | 19.7W | <10% | >0.9 |
| | 67 | 277V | 50/60Hz | 0.086A | 0.555A | 23.7W | 19.7W | <20% | >0.9 |

Electrical - Tunable White (NS & FL Beams)

| Light engine | | Input volts | Input freq. | Input current | LED Drive current | Input power | LED power | THD @ Max Load | Power @ Max Load |
|-----------------------|---|-------------|-------------|---------------|-------------------|-------------|-----------|----------------|------------------|
| C6_A1096T[NS][FL]Z10U | 2 | 120V | 50/60Hz | 0.113A | 0.350A | 13.5W | 11.1W | <20% | >0.9 |
| | 2 | 277V | 50/60Hz | 0.053A | 0.350A | 14.7W | 11.1W | <20% | >0.9 |
| C6_A1596T[NS][FL]Z10U | 7 | 120V | 50/60Hz | 0.191A | 0.555A | 22.9W | 19.4W | <20% | >0.9 |
| | 7 | 277V | 50/60Hz | 0.087A | 0.555A | 24.2W | 19.4W | <20% | >0.9 |

Electrical - Dim-to-Warm (NF & WF Beams)

| Light engine | | Input volts | Input freq. | Input current | LED Drive current | Input power | LED power | THD @ Max Load | Power @ Max Load |
|-----------------------|----|-------------|-------------|---------------|-------------------|-------------|-----------|----------------|------------------|
| C6_A10D2W[NF][WF]Z10U | 66 | 120V | 50/60Hz | 0.113A | 0.320A | 13.5W | 10.9W | <10% | >0.9 |
| | 66 | 277V | 50/60Hz | 0.052A | 0.320A | 14.5W | 10.9W | <30% | >0.9 |
| C6_A15D2W[NF][WF]Z10U | 71 | 120V | 50/60Hz | 0.167A | 0.485A | 20.1W | 17.0W | <10% | >0.9 |
| | 71 | 277V | 50/60Hz | 0.076A | 0.485A | 21.1W | 17.0W | <20% | >0.9 |
| C6_A20D2W[NF][WF]Z10U | 76 | 120V | 50/60Hz | 0.240A | 0.680A | 28.8W | 24.6W | <10% | >0.9 |
| | 76 | 277V | 50/60Hz | 0.105A | 0.680A | 29.1W | 24.6W | <10% | >0.9 |

Electrical - Tunable White (NF & WF Beams)

| Light engine | | Input volts | Input freq. | Input current | LED Drive current | Input power | LED power | THD @ Max Load | Power @ Max Load |
|-----------------------|----|-------------|-------------|---------------|-------------------|-------------|-----------|----------------|------------------|
| C6_A1096T[NF][WF]Z10U | 6 | 120V | 50/60Hz | 0.107A | 0.320A | 12.9W | 10.4W | <20% | >0.9 |
| | 6 | 277V | 50/60Hz | 0.051A | 0.320A | 14.1W | 10.4W | <20% | >0.9 |
| C6_A1596T[NF][WF]Z10U | 11 | 120V | 50/60Hz | 0.162A | 0.485A | 19.4W | 16.1W | <20% | >0.9 |
| | 11 | 277V | 50/60Hz | 0.075A | 0.485A | 20.7W | 16.1W | <20% | >0.9 |
| C6_A2096T[NF][WF]Z10U | 16 | 120V | 50/60Hz | 0.225A | 0.680A | 27.0W | 23.0W | <20% | >0.9 |
| | 16 | 277V | 50/60Hz | 0.102A | 0.680A | 28.3W | 23.0W | <20% | >0.9 |
| C6_A2596T[NF][WF]Z10U | 21 | 120V | 50/60Hz | 0.299A | 0.900A | 35.9W | 31.1W | <20% | >0.9 |
| | 21 | 277V | 50/60Hz | 0.133A | 0.900A | 36.8W | 31.1W | <20% | >0.9 |
| C6_A3096T[NF][WF]Z10U | 26 | 120V | 50/60Hz | 0.379A | 1.125A | 45.5W | 39.6W | <20% | >0.9 |
| | 26 | 277V | 50/60Hz | 0.166A | 1.125A | 46.0W | 39.6W | <20% | >0.9 |

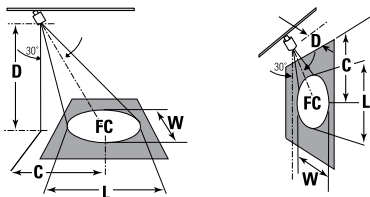
C6RA/C6SA Calculite LED 6" gen 3

Round & Square Adjustable Accent

Aiming angles

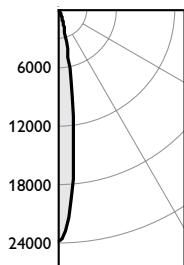
L and W are the outer points where the candle power drops to 50% of the maximum. FC are the initial footcandles at the center of the beam. Data shown is for 3000K, use the table on the right for CRI/CCT adjustment factors.

FC Footcandles
L Beam length
W Beam Width
D Distance
A Aiming Angle
C Distance to center beam
CBCP Center Beam Candlepower



Adjustment Factors

| Standard | Shallow 1" Regress | CCT (90CRI) | Lumens |
|-----------|--------------------|--------------|---------------|
| CL = 100% | WT = 96% | 4000K = 102% | 1000lm = 40% |
| CC = 99% | D = 98% | 3500K = 100% | 1500lm = 60% |
| CD = 98% | BZ = 96% | 3000K = 94% | 2000lm = 80% |
| WH = 99% | BT = 96% | 2700K = 89% | 2500lm = 100% |
| CZ = 98% | | | 3000lm = 120% |
| BK = 96% | | | 3500lm = 140% |
| | | | 4000lm = 160% |
| | | | 5000lm = 200% |
| | | | 6000lm = 240% |



Frame: 6ARN
Engine: C6RA25935NSZ10U
Trim: C6RACL

Output lumens: 2728lms
Input watts: 20.8W
CRI: 90min
CCT¹: 3500K
CBCP: 23,896cd
Beam Angle: 15°

Efficacy: 131.2lm/w
Report²: ---

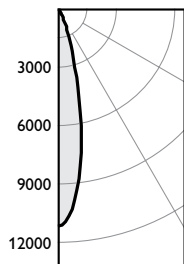
Narrow Spot, 2500lm engine, 131lm/W at 21W

30° Horizontal Aiming

| Distance | | | Beam | |
|----------|------|------|------|-----|
| D | C | F.C. | L | W |
| 10 | 5.8 | 155 | 3.5 | 3.0 |
| 12 | 6.9 | 108 | 4.2 | 3.6 |
| 14 | 8.1 | 79 | 4.9 | 4.3 |
| 18 | 10.4 | 48 | 6.4 | 5.5 |

30° Vertical Aiming

| Distance | | | Beam | |
|----------|------|------|------|-----|
| D | C | F.C. | L | W |
| 3 | 5.2 | 332 | 3.3 | 1.6 |
| 4 | 6.9 | 187 | 4.4 | 2.1 |
| 5 | 8.7 | 119 | 5.6 | 2.6 |
| 6 | 10.4 | 83 | 6.7 | 3.2 |



Frame: 6ARN
Engine: C6RA25935NFZ10U
Trim: C6RACL

Output lumens: 2370lms
Input watts: 19.3W
CRI: 90min
CCT¹: 3500K
CBCP: 11,160cd
Beam Angle: 24°

Efficacy: 122.8lm/w
Report²: ---

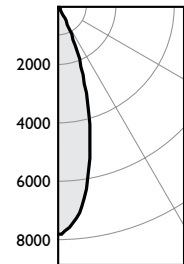
Narrow Flood, 2500lm engine, 123lm/W at 19W

30° Horizontal Aiming

| Distance | | | Beam | |
|----------|-----|------|------|-----|
| D | C | F.C. | L | W |
| 6 | 3.5 | 201 | 3.5 | 2.9 |
| 8 | 4.6 | 113 | 4.6 | 3.9 |
| 10 | 5.8 | 72 | 5.8 | 4.9 |
| 12 | 6.9 | 50 | 6.9 | 5.9 |

30° Vertical Aiming

| Distance | | | Beam | |
|----------|-----|------|------|-----|
| D | C | F.C. | L | W |
| 2 | 3.5 | 349 | 3.9 | 1.7 |
| 3 | 5.2 | 155 | 5.9 | 2.6 |
| 4 | 6.9 | 87 | 7.9 | 3.4 |
| 5 | 8.7 | 56 | 9.8 | 4.3 |



Frame: 6ARN
Engine: C6RA25935FLZ10U
Trim: C6RACL

Output lumens: 2526lms
Input watts: 20.8W
CRI: 90min
CCT¹: 3500K
CBCP: 7,780cd
Beam Angle: 32°

Efficacy: 121.4lm/w
Report²: ---

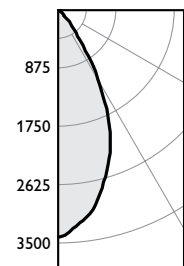
Flood, 2500lm engine, 59 lm/W at 21W

30° Horizontal Aiming

| Distance | | | Beam | |
|----------|-----|------|------|-----|
| D | C | F.C. | L | W |
| 6 | 3.5 | 140 | 4.7 | 4.0 |
| 8 | 4.6 | 79 | 6.3 | 5.3 |
| 10 | 5.8 | 51 | 7.9 | 6.6 |
| 12 | 6.9 | 35 | 9.4 | 7.9 |

30° Vertical Aiming

| Distance | | | Beam | |
|----------|-----|------|------|-----|
| D | C | F.C. | L | W |
| 2 | 3.5 | 243 | 6.1 | 2.3 |
| 3 | 5.2 | 108 | 9.1 | 3.4 |
| 4 | 6.9 | 61 | 12.2 | 4.6 |
| 5 | 8.7 | 39 | 15.2 | 5.7 |



Frame: 6ARN
Engine: C6RA25935WFZ10U
Trim: C6RACL

Output lumens: 2371lms
Input watts: 19.4W
CRI: 90min
CCT¹: 3500K
CBCP: 3,398cd
Beam Angle: 51°

Efficacy: 122.2lm/w
Report²: ---

Wide Flood, 2500lm engine, 55 lm/W at 19W

30° Horizontal Aiming

| Distance | | | Beam | |
|----------|-----|------|------|------|
| D | C | F.C. | L | W |
| 6 | 3.5 | 61 | 8.3 | 6.6 |
| 8 | 4.6 | 34 | 11.0 | 8.8 |
| 10 | 5.8 | 22 | 13.8 | 11.0 |
| 12 | 6.9 | 15 | 16.5 | 13.2 |

30° Vertical Aiming

| Distance | | | Beam | |
|----------|-----|------|------|-----|
| D | C | F.C. | L | W |
| 2 | 3.5 | 106 | 24.0 | 3.8 |
| 3 | 5.2 | 47 | 36.1 | 5.7 |
| 4 | 6.9 | 27 | 48.1 | 7.6 |
| 5 | 8.7 | 17 | 60.1 | 9.5 |

1. Correlated Color Temperature within specs as defined in ANSI_NEMA_ANSI C78.377-2008: Specifications for the Chromaticity of Solid State Lighting Products.
2. Tested using absolute photometry as specified in LM79: IESNA Approved Method for the Electrical and Photometric Measurements of Solid-State Lighting Products.

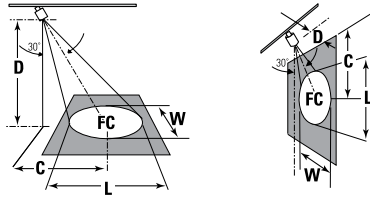
C6RA/C6SA Calculite LED 6" gen 3

Round & Square Adjustable Accent

Aiming angles

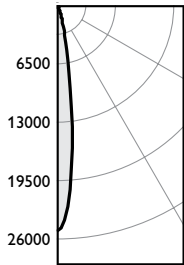
L and W are the outer points where the candle power drops to 50% of the maximum. FC are the initial footcandles at the center of the beam. Data shown is for 3000K, use the table on the right for CRI/CCT adjustment factors.

FC Footcandles
L Beam length
W Beam Width
D Distance
A Aiming Angle
C Distance to center beam
CBCP Center Beam Candlepower



Adjustment Factors

| Standard | Shallow 1" Regress | CCT (90CRI) | Lumens |
|-----------|--------------------|--------------|---------------|
| CL = 100% | WT = 96% | 4000K = 102% | 1000lm = 40% |
| CC = 99% | D = 98% | 3500K = 100% | 1500lm = 60% |
| CD = 98% | BZ = 96% | 3000K = 94% | 2000lm = 80% |
| WH = 99% | BT = 96% | 2700K = 89% | 2500lm = 100% |
| CZ = 98% | | | 3000lm = 120% |
| BK = 96% | | | 3500lm = 140% |
| | | | 4000lm = 160% |
| | | | 5000lm = 200% |
| | | | 6000lm = 240% |



Frame: 6ASN
Engine: C6SA25935NSZ10U
Trim: C6SACL

Output lumens: 2695 lms
Input watts: 20.8W
CRI: 90 min
CCT¹: 3500K
CBCP: 25,110cd
Beam Angle: 15°

Efficacy: 129.6lm/w
Report²: ---

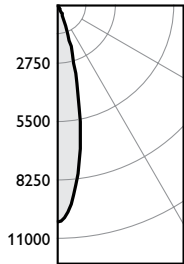
Narrow Spot, 2500lm engine, 131lm/W at 21W

30° Horizontal Aiming

| Distance | | | Beam | |
|----------|------|------|------|-----|
| D | C | F.C. | L | W |
| 10 | 5.8 | 163 | 3.5 | 3.0 |
| 12 | 6.9 | 113 | 4.2 | 3.6 |
| 14 | 8.1 | 83 | 4.9 | 4.3 |
| 18 | 10.4 | 50 | 6.4 | 5.5 |

30° Vertical Aiming

| Distance | | | Beam | |
|----------|------|------|------|-----|
| D | C | F.C. | L | W |
| 3 | 5.2 | 349 | 3.3 | 1.6 |
| 4 | 6.9 | 196 | 4.4 | 2.1 |
| 5 | 8.7 | 126 | 5.6 | 2.6 |
| 6 | 10.4 | 87 | 6.7 | 3.2 |



Frame: 6ASN
Engine: C6SA25935NFZ10U
Trim: C6SACL

Output lumens: 2064 lms
Input watts: 19.3W
CRI: 90 min
CCT¹: 3500K
CBCP: 10,185cd
Beam Angle: 24°

Efficacy: 106.9lm/w
Report²: ---

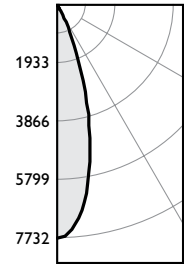
Narrow Flood, 2500lm engine, 123lm/W at 19W

30° Horizontal Aiming

| Distance | | | Beam | |
|----------|-----|------|------|-----|
| D | C | F.C. | L | W |
| 6 | 3.5 | 184 | 3.5 | 2.9 |
| 8 | 4.6 | 103 | 4.6 | 3.9 |
| 10 | 5.8 | 66 | 5.8 | 4.9 |
| 12 | 6.9 | 46 | 6.9 | 5.9 |

30° Vertical Aiming

| Distance | | | Beam | |
|----------|-----|------|------|-----|
| D | C | F.C. | L | W |
| 2 | 3.5 | 318 | 3.9 | 1.7 |
| 3 | 5.2 | 141 | 5.9 | 2.6 |
| 4 | 6.9 | 80 | 7.9 | 3.4 |
| 5 | 8.7 | 51 | 9.8 | 4.3 |



Frame: 6ASN
Engine: C6SA25935FLZ10U
Trim: C6SACL

Output lumens: 2408 lms
Input watts: 20.8W
CRI: 90 min
CCT¹: 3500K
CBCP: 7,732cd
Beam Angle: 32°

Efficacy: 115.8lm/w
Report²: ---

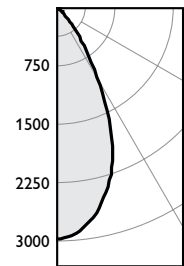
Flood, 2000lm engine, 59 lm/W at 16W

30° Horizontal Aiming

| Distance | | | Beam | |
|----------|-----|------|------|-----|
| D | C | F.C. | L | W |
| 6 | 3.5 | 140 | 4.7 | 4.0 |
| 8 | 4.6 | 78 | 6.3 | 5.3 |
| 10 | 5.8 | 50 | 7.9 | 6.6 |
| 12 | 6.9 | 35 | 9.4 | 7.9 |

30° Vertical Aiming

| Distance | | | Beam | |
|----------|-----|------|------|-----|
| D | C | F.C. | L | W |
| 2 | 3.5 | 242 | 6.1 | 2.3 |
| 3 | 5.2 | 107 | 9.1 | 3.4 |
| 4 | 6.9 | 60 | 12.2 | 4.6 |
| 5 | 8.7 | 39 | 15.2 | 5.7 |



Frame: 6ASN
Engine: C6SA25935WFZ10U
Trim: C6SACL

Output lumens: 2222 lms
Input watts: 19.3W
CRI: 90 min
CCT¹: 3500K
CBCP: 2,953cd
Beam Angle: 52°

Efficacy: 115.1lm/w
Report²: ---

Wide Flood, 1000lm engine, 55 lm/W at 16W

30° Horizontal Aiming

| Distance | | | Beam | |
|----------|-----|------|------|------|
| D | C | F.C. | L | W |
| 6 | 3.5 | 53 | 8.5 | 6.8 |
| 8 | 4.6 | 30 | 11.3 | 9.0 |
| 10 | 5.8 | 19 | 14.1 | 11.3 |
| 12 | 6.9 | 13 | 17.0 | 13.5 |

30° Vertical Aiming

| Distance | | | Beam | |
|----------|-----|------|------|-----|
| D | C | F.C. | L | W |
| 2 | 3.5 | 92 | 27.3 | 3.9 |
| 3 | 5.2 | 41 | 40.9 | 5.9 |
| 4 | 6.9 | 23 | 54.5 | 7.8 |
| 5 | 8.7 | 15 | 68.1 | 9.8 |

1. Correlated Color Temperature within specs as defined in ANSI_NEMA_ANSI C78.377-2008: Specifications for the Chromaticity of Solid State Lighting Products.
2. Tested using absolute photometry as specified in LM79: IESNA Approved Method for the Electrical and Photometric Measurements of Solid-State Lighting Products.

