



LED EDGELIT SIGN 120VAC OR 277VAC INSTALLATION AND OPERATING INSTRUCTIONS

IMPORTANT SAFEGUARDS

When using electrical equipment, basic safety precautions should always be followed, including the following:

- Do not let power supply cords touch hot surfaces.
- Do not mount near gas or electric heaters.
- Do not use this equipment for other than intended use.

READ AND FOLLOW ALL SAFETY INSTRUCTIONS

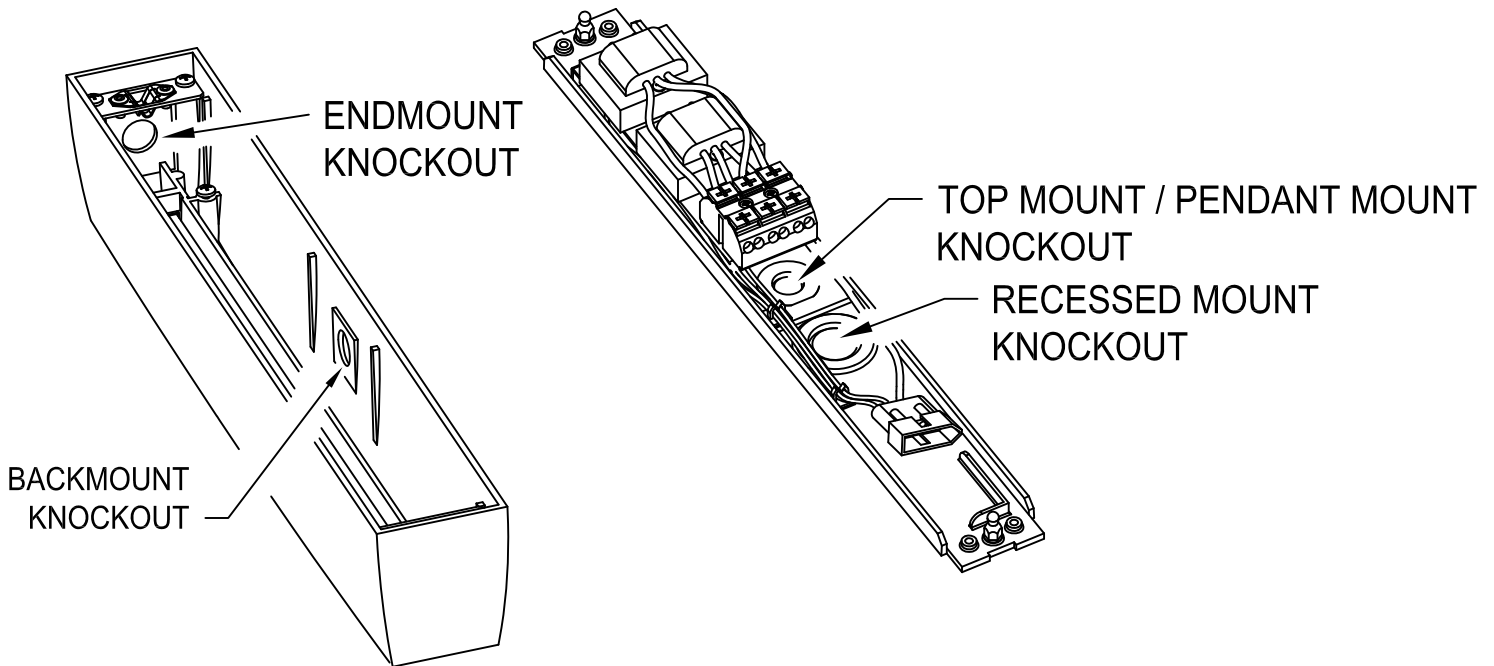
- All servicing should be performed by qualified personnel only.
- Equipment should be mounted in locations and at heights where it will not readily be subjected to tampering by unauthorized personnel.
- The use of accessory equipment not recommended by the manufacturer may cause an unsafe condition.

SAVE THESE INSTRUCTIONS

WARNING

Shut off AC power to branch circuits to which units will be connected. All wiring should be per National Electrical Code and local regulations.

INSTALLATION INSTRUCTIONS



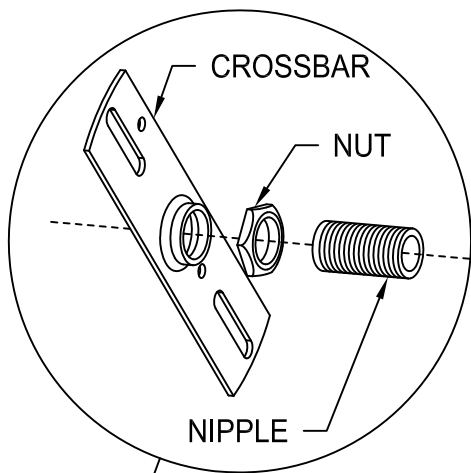
- 1 Remove knockout appropriate to mounting configuration desired. Proceed to Steps 2 thru 5 for end, wall and surface ceiling mounting. Proceed to Step 6 for recessed ceiling mount instructions.

CHLORIDE

Signify North America Corporation
200 Franklin Square Drive
Somerset, NJ 08873, USA
Phone: 855-486-2216
www.chloride-lighting.com

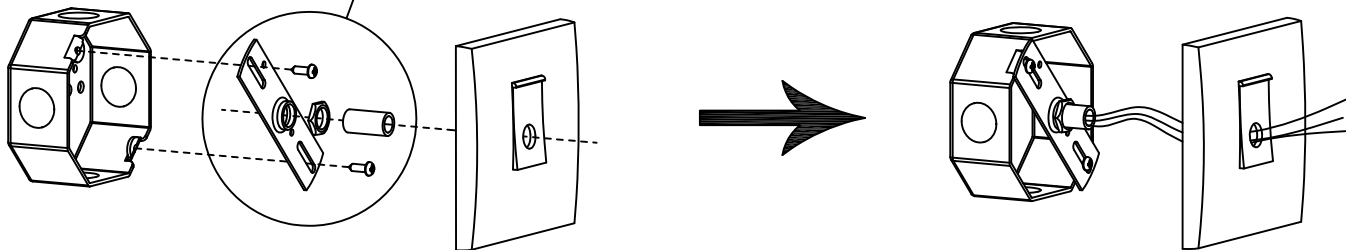
Signify Canada Ltd./Signify Canada Ltée. 281
Hillmount Road,
Markham, ON, Canada L6C 2S3
Phone: 800-668-9008

443580500871
AUG. 2018

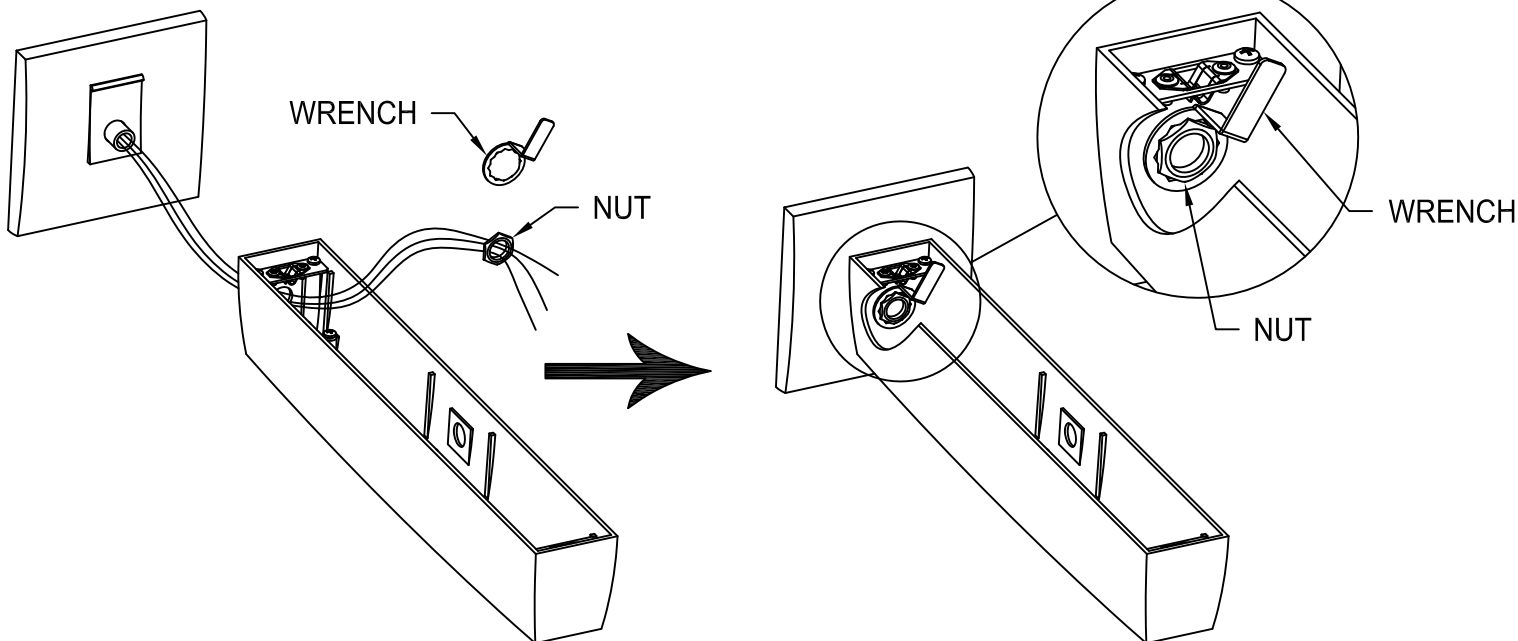


2

Assemble crossbar, nut and nipple as shown and attach to junction box with nipple protruding outwards as shown. Route AC supply wires thru opening in canopy and place canopy over nipple in orientation shown.



See Step 3A for wall and end mounting.
See Step 3B for surface ceiling mounting



3A

Route AC supply wires thru knockout in exit housing and hang exit on nipple (end mount shown - back mount similar). Route AC supply wires thru nut and fasten to nipple to secure exit to wall. A wrench is provided in the canopy kit for this purpose.

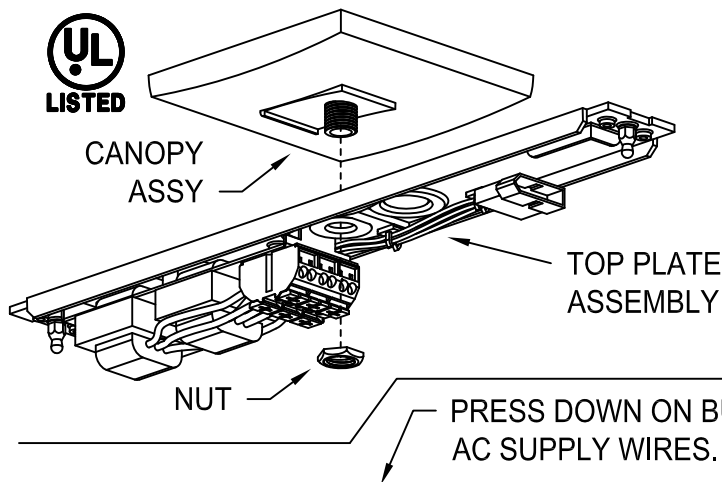
CHLORIDE

Signify North America Corporation
200 Franklin Square Drive
Somerset, NJ 08873, USA
Phone: 855-486-2216
www.chloride-lighting.com

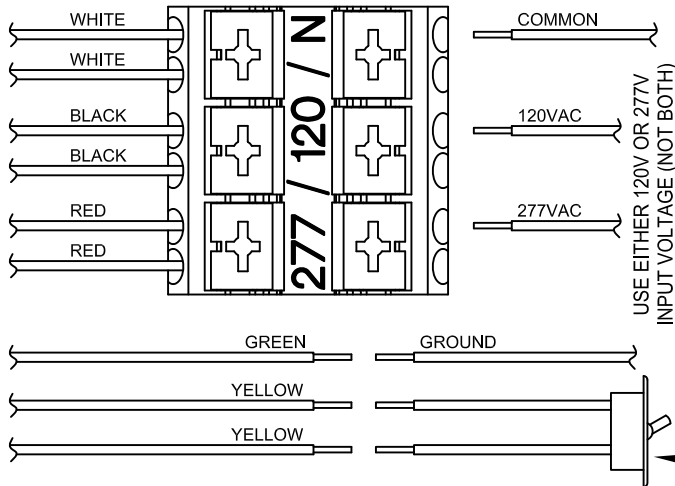
Signify Canada Ltd./Signify Canada Ltée. 281
Hillmount Road,
Markham, ON, Canada L6C 2S3
Phone: 800-668-9008

443580500871
AUG. 2018

PAGE 2



3B Route AC supply wires thru center knockout in top plate of exit assembly. Route AC supply wires thru nut and fasten to nipple thus securing top plate to ceiling. A wrench is provided in the canopy kit for this purpose.

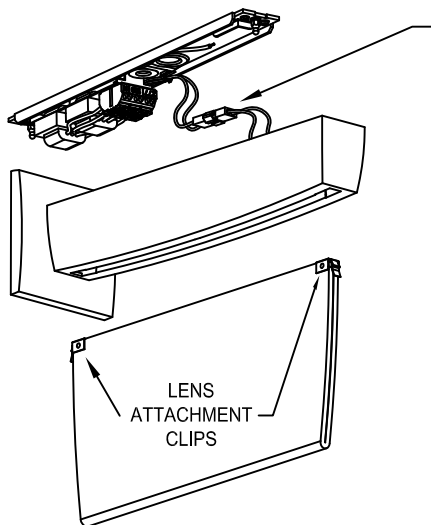


AC HOOKUP	
120 VAC, 60Hz OPERATION	277 VAC, 60Hz OPERATION
White Wires - Common	White Wires - Common
Black Wires - 120V Line	Black Wires - NOT USED
Red Wires - NOT USED	Red Wires - 277V Line
Green Wire - Ground	Green Wire - Ground
Yellow Wires - Wall Switch for control of flasher function (if ordered as an option)	

WALL SWITCH (supplied by others) FOR EXTERNAL CONTROL OF OPTIONAL FLASHER FUNCTION

4 AC input terminal block is found on top plate. Make AC supply connections by color as shown. Three lengths of 18 gauge wire are supplied in the hardware kit for use if wire nut connections are to be made in the junction box. **Keep AC supply wires as short as possible to avoid excess bulk.** See table at right for wiring instructions.

CIRCUIT BOARD CONNECTORS

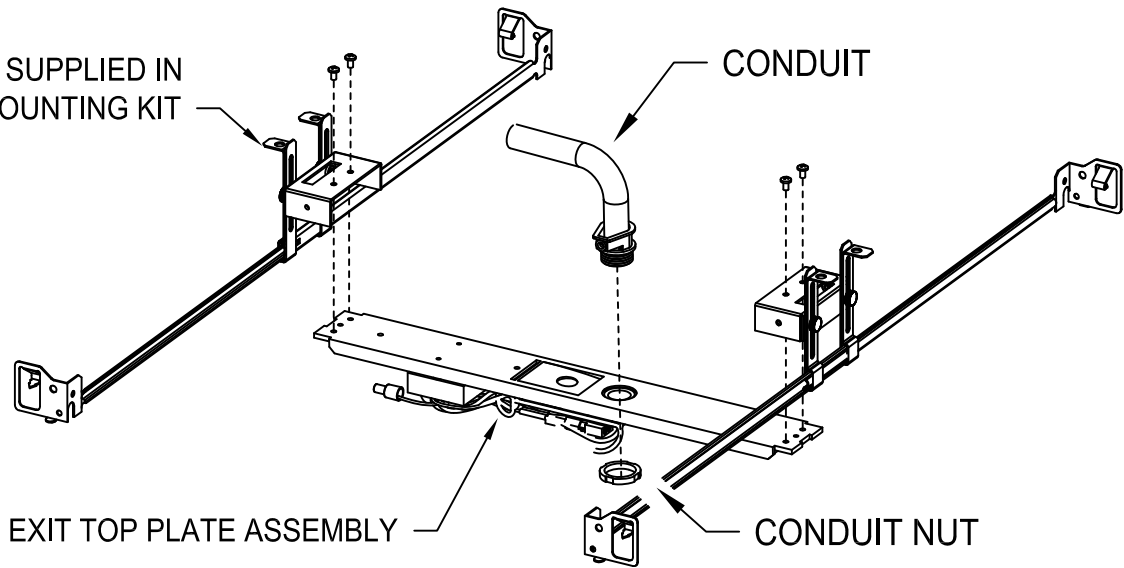


5 A hook is provided in the canopy kit for temporary hanging of the housing assembly while making wiring connections. Plug transformer assembly into circuit board connector as shown. Snap housing assembly and top plate assembly together (*END MOUNT SHOWN - WALL AND CEILING MOUNT SIMILAR*). Snap lens into housing from bottom. Tug gently on lens to ensure lens has firmly engaged housing. Legs of lens attachment clips may be bent outward slightly in order to improve lens retention, if required. Remove protective film from surface of lens.

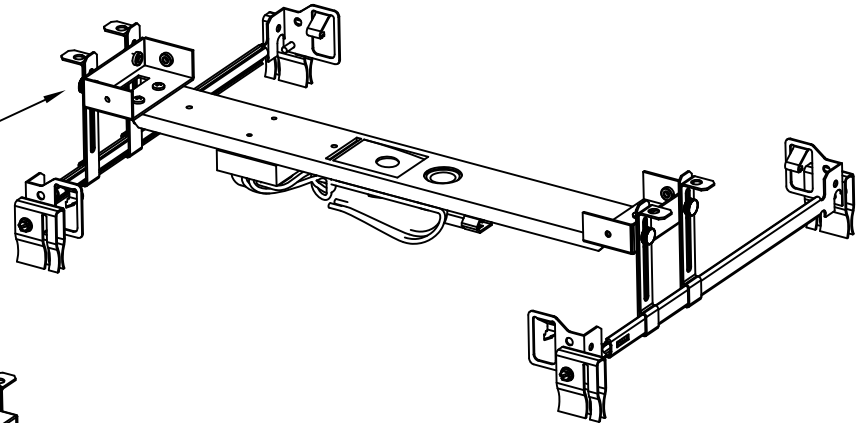


Steps 6 thru 8 for recessed ceiling mounting only

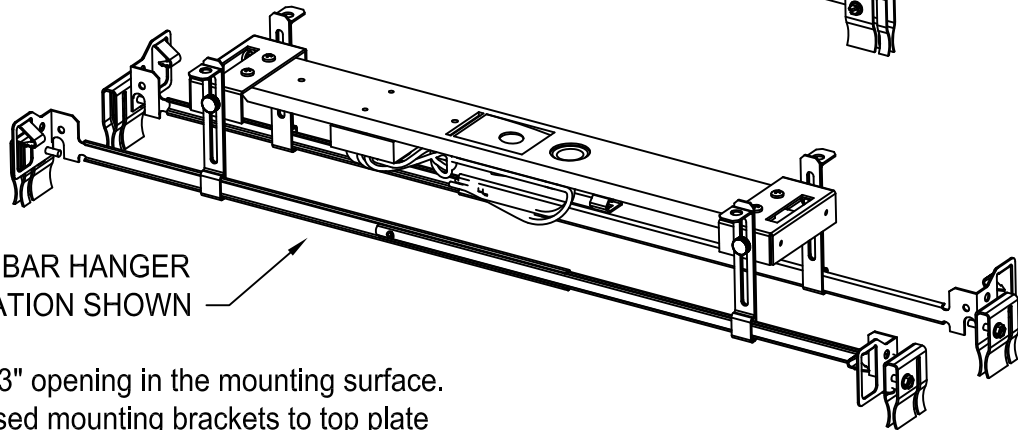
(4) SCREWS SUPPLIED IN
RECESSED MOUNTING KIT



ALTERNATIVE BAR HANGER
MOUNTING BRACKET
ORIENTATION SHOWN
(MAY BE USED TO GAIN
FURTHER ADJUSTABILITY)



ALTERNATIVE BAR HANGER
ORIENTATION SHOWN



- 6 Cut a 16" by 3" opening in the mounting surface. Attach recessed mounting brackets to top plate assembly using four (4) supplied screws as shown. When properly oriented, the transformer assembly will be on your left as shown in drawings above. (Proper orientation will be further discussed in Step 8 - Do not attach bar hangers to ceiling grid at this step). Route AC supply conduit to top plate assembly and secure conduit to large knockout as shown.

CHLORIDE

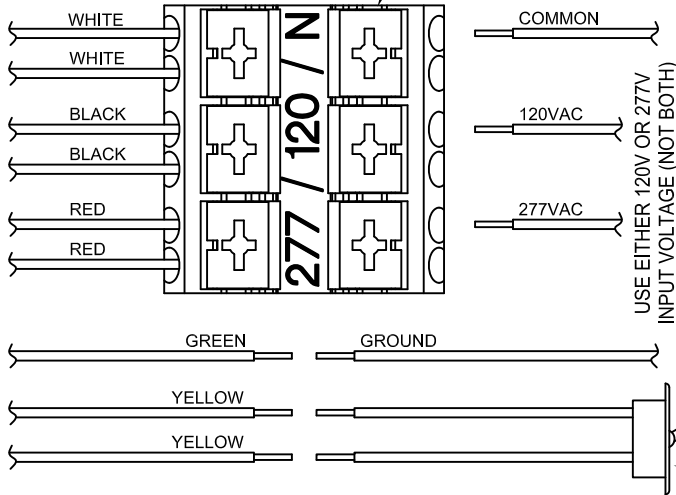
Signify North America Corporation
200 Franklin Square Drive
Somerset, NJ 08873, USA
Phone: 855-486-2216
www.chloride-lighting.com

Signify Canada Ltd./Signify Canada Ltée. 281
Hillmount Road,
Markham, ON, Canada L6C 2S3
Phone: 800-668-9008

443580500871
AUG. 2018
PAGE 4



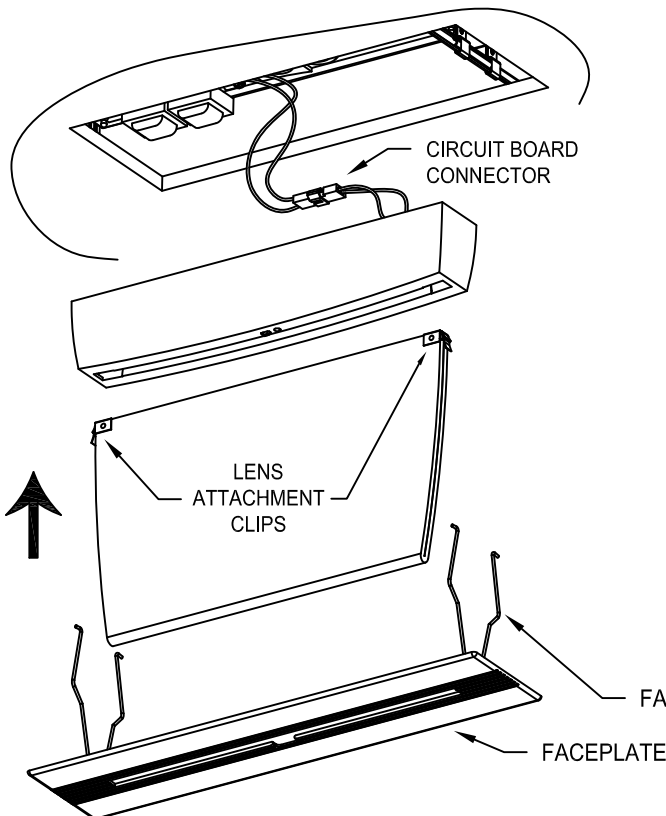
PRESS DOWN ON BUTTONS (THREE PLACES) TO ALLOW INSERTION OF AC SUPPLY WIRES. WHEN BUTTON IS RELEASED, WIRE WILL BE TRAPPED.



AC HOOKUP	
120 VAC, 60Hz OPERATION	277 VAC, 60Hz OPERATION
White Wires - Common	White Wires - Common
Black Wires - 120V Line	Black Wires - NOT USED
Red Wires - NOT USED	Red Wires - 277V Line
Green Wire - Ground	Green Wire - Ground
Yellow Wires - Wall Switch for control of flasher function (if ordered as an option)	

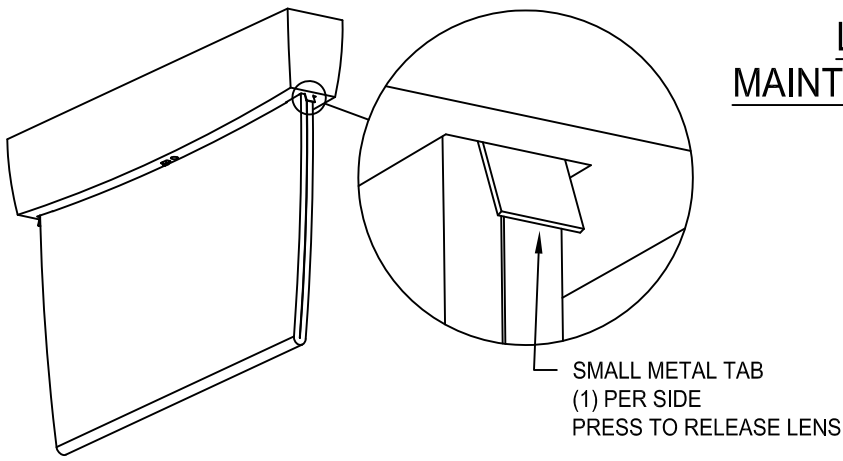
WALL SWITCH (supplied by others) FOR EXTERNAL CONTROL OF OPTIONAL FLASHER FUNCTION

- 7 AC input terminal block is found on top plate. Make AC supply connections by color as shown. Three lengths of 18 gauge wire are supplied in the hardware kit for use if wire nut connections are to be made in the junction box. **Keep AC supply wires as short as possible to avoid excess bulk.** See table at right for wiring instructions.

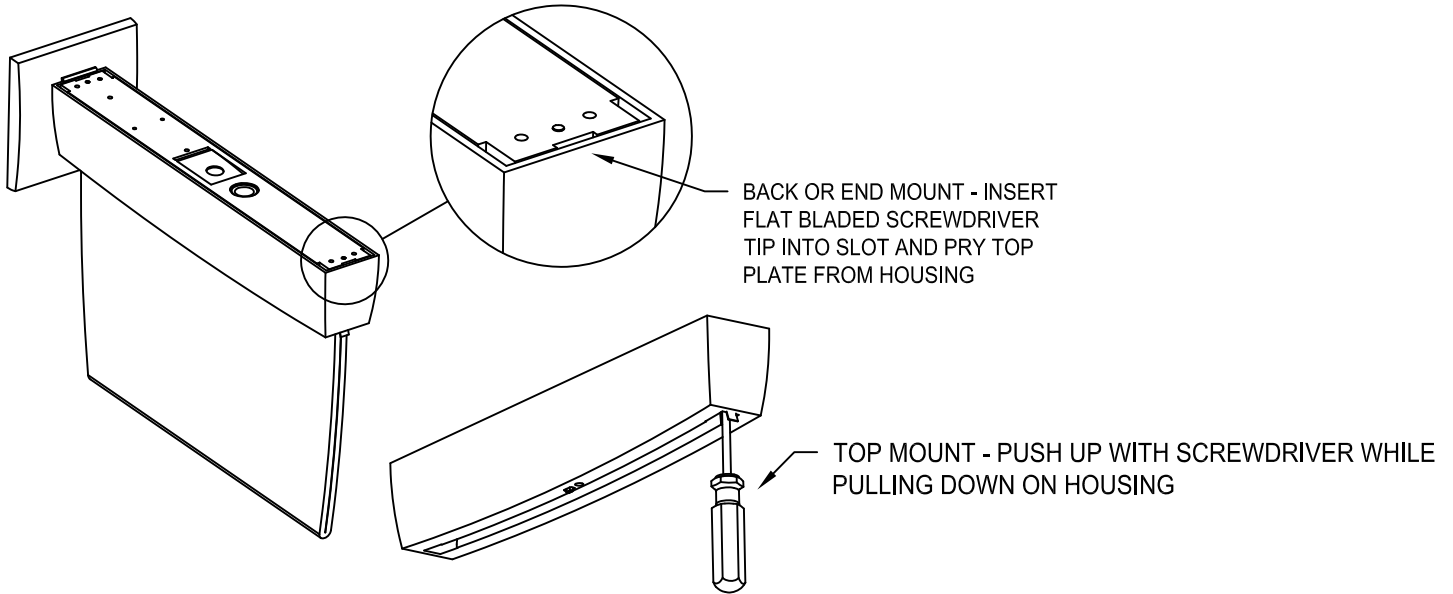


- 8 Plug transformer assembly into circuit board connector as shown. Snap housing assembly onto top plate assembly. Affix bar hangers to ceiling grid. Snap lens into housing from bottom. Tug gently on lens to ensure lens has firmly engaged housing. Legs of lens attachment clips may be bent outward slightly in order to improve lens retention, if required. Slide faceplate over lens and insert legs of faceplate springs into slots provided in recessed mounting brackets. Faceplate should be flush with ceiling surface. Sign may be adjusted for height by loosening thumbscrews and adjusting position of recessed mounting brackets. Remove protective film from surface of lens.

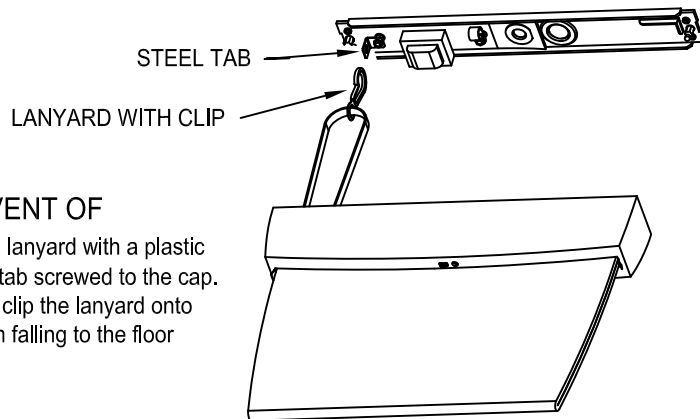
LED EDGELIT SIGN MAINTENANCE INSTRUCTIONS



To remove lens for service: Grasp sides of lens near top and use index fingers or thumbs to press in on the small metal tabs found where sides of lens meet housing. Gently pull downwards on lens until clear of housing. After replacing lens, tug gently downwards on lens to ensure that it has firmly engaged the housing. The small metal tabs on the sides of the lens may be bent outwards slightly to improve lens retention, if required.



To replace battery: Remove lens (see above). Use a flat bladed screwdriver to pry top plate away from housing (if top mounted, remove lens and insert a screwdriver or similar instrument into end of lens slot in housing until it contacts the aluminum top plate (do not place tip of screwdriver on led light strip). Simultaneously pull down on housing and push up on screwdriver until housing pops off of top plate. See drawing at lower left). Disconnect transformer assembly from circuit board assembly. Disconnect battery from circuit board and remove from housing. Peel off double sided tape from new battery and place in same location. Plug new battery into circuit board and reassemble exit.



FOR ADDED SAFETY IN THE EVENT OF VANDALISM: Inside the unit, there is a lanyard with a plastic clip on the end. There is also a small steel tab screwed to the cap. To prevent injury in the event of vandalism, clip the lanyard onto the steel tab. This will prevent the sign from falling to the floor causing injury or property damage.

CHLORIDE

Signify North America Corporation
200 Franklin Square Drive
Somerset, NJ 08873, USA
Phone: 855-486-2216
www.chloride-lighting.com

Signify Canada Ltd./Signify Canada Ltée. 281
Hillmount Road,
Markham, ON, Canada L6C 2S3
Phone: 800-668-9008

443580500871
AUG. 2018
PAGE 6