



Keene GameFlood LED Floodlights provide the best value for all types of outdoor recreational sports lighting. Designed to meet your specifications, from the smallest to the most complex outdoor sports facilities. Performs well in other floodlighting applications from spot lighting to large area lighting. High-efficiency LED lighting with precision optics that provides uniformity, visual comfort, and limitation of obtrusive light - especially in residential areas where leisure sports facilities are often located. With supporting material readily available online and a reliable product from a brand you know and trust, it doesn't get any easier to specify recreational sports lighting.

Project: _____
 Location: _____
 Cat.No: _____
 Type: _____
 Lamps: _____ Qty: _____
 Notes: _____

Ordering guide

Example: GMFL-A03-740-4x4-YOK-HVU-SP2-BK

Luminaire	Configuration (nominal lumens)	Color Temperature	Distribution	Mounting	Voltage (0-10V dimming driver standard)	Surge Protection	Finish
GMFL				YOK			BK
GMFL GameFlood Recreational Sportslighter with visor	A01 60,000 A02 80,000 A03 100,000	740 70CRI 4000K 750 70CRI 5000K	3x3 NEMA 3x3 4x4 NEMA 4x4 5x5 NEMA 5x5 6x6 NEMA 6x6	YOK Yoke Mount (10' or 3.05m cord exits luminaire)	UNV 120-277VAC HVU 347-480VAC (remote driver available, contact factory ¹)	blank SP1 10kV/10kA (standard) SP2 20kV/10kA (option)	BK Black

1. Must contact factory prior to ordering. Extended lead times apply.

Accessories (ordered separately, field installed- mounting hardware included)

GMFL-YTA	Yoke to tenon mounting adapter, fits 2-3/8" O.D tenon, black finish
GMFL-LAD	Laser aiming device (only 1 needed per job)

Product Specifications

Housing and Heat Sink

Main housing and driver / electrical compartment housing each are single piece low copper die cast aluminum alloy for low resistance to corrosion. Both housings also act as heat sinks, designed to ensure high efficacy and superior cooling by natural convection. Air flow pattern always close to LEDs and drivers optimizing their efficiency and life. Product does not use any cooling device with moving parts (only passive cooling).

Driver / Electrical Door

Single piece low copper die cast aluminum alloy for low resistance to corrosion door provides access to electronic components, hinged and removable. Door secured with captive screws outside of gasket perimeter.

Visor

Robust single piece sheet metal, always painted to improve corrosion resistance, black finish to improve shielding. Always comes standard and is included - field installed, hardware included.

Mounting

Integral structural steel adjustable yoke for direct surface mounting. Painted for resistance to corrosion, with 2 bolts (one on either side) to lock in aiming angle. Ships fully assembled, ready to install (mounting hardware by others). 10' (3.05m) of AWG 16-3 STOW cord exists out of luminaire for connection by others, IP66 liquid tight connector to seal cord exit point.

Aiming

Vertical aiming marks every 10 degrees with indicator, bolts to secure aiming in place. Horizontal aiming protractor with aiming marks every 10 degrees, bolt (by others) to secure aiming in place.

Light Engine

3 main components: LED Module/Optical System/Driver. Electrical components are RoHS compliant. LEDs tested by ISO 17025-2005 accredited lab in accordance with IESNA LM-80 guidelines, extrapolations in accordance with IESNA TM-21. Metal core substrate ensures greater heat transfer and longer lifespan.

LED Module

Comprised of high performance white LEDs. Color temperature as per ANSI/NEMA bin 4000K nominal (3985K +/- 275K) standard. 5000K nominal (5029 +/- 283K) - must contact factory prior to ordering. Both CRI 70 min.

Optical System

High performance UV stabilized optical grade polymer refractor lenses to achieve desired distribution optimized to get maximum spacing, target lumens and a superior lighting uniformity. Performance shall be tested per LM-63, LM-79 and TM-15 (IESNA) certifying its photometric performance.

Driver

High power factor of 90% min. Electronic driver, operating range 50/60 Hz. Auto adjusting universal voltage input from 120 to 277 or 347 to 480 VAC rated for both application line to line or line to neutral, Class I, THD of 20% max. Output is protected from short circuits, voltage overload and current overload. Automatic recovery after correction. Standard built in driver surge protection of 6kV. Remote driver available - contact factory.

GMFL GameFlood

LED floodlights and Recreational Sportlights

Product Specifications (con't)

Integrated Features

Please note that these integrated features always come with this luminaire standard at no additional cost.

0-10V dimming driver included as standard, dimming leads accessible inside the sealed electrical compartment (see instructions).

SP1 10kV/10kA: Standard surge protector tested in accordance with ANSI/IEEE C62.45 per ANSI/IEEE C62.41.2 Scenario I Category C High Exposure 10kV/10kA waveforms for Line-Ground, Line-Neutral and Neutral-Ground. Surge protection device wired in parallel so that if it fails open the luminaire will remain lit/powerd on.

Luminaire Options and Accessories

SP2 20kV/10kA: Optional surge protector provides extra protection beyond the standard SP1 10kV/10kA level. Surge protection device wired in parallel so that if it fails to open the luminaire will remain lit/powerd on.

Laser Aiming Device: Accessory. Provides more precise aiming per application layout aiming angles. Field installed - Visor includes mounting slots (no machining in field required). Hardware, instructions and battery included.

GMFL-YTA: Accessory. Mounting adapter for 2-3/8" O.D. tenon (mounting hardware provided). Black finish.

Luminaire Useful Life

Refer to IES files for energy consumption and delivered lumens for each option. Based on ISTMT in situ thermal testing in accordance with UL1598 and UL8750, exclusive Signify System Reliability Tool, Advance driver data and LED manufacturer LM-80/TM-21 data, expected to reach 48,000+ hours with L70 lumen maintenance @ 25°C. Luminaire Useful Life accounts for LED lumen maintenance AND all of these additional factors including: LED color shift, LED life, driver life, PCB substrate, solder joints, on/off cycles, burning hours and corrosion.

Wiring

Insulated internal wiring located inside the housing, insulation covers all places where wiring passes through openings. Due to the inrush current that occurs with electronic drivers, recommend using a time delay or slow blow fuse to avoid unnecessary and unwanted fuse blowing that can occur with fast acting fuses.

Hardware and Seals

All exposed screws shall be stainless steel and/or corrosion resistant and captive. All seals and sealing devices are made and/or lined with EPDM and/or silicone and/or rubber.

Finish

Fade and abrasion resistant, electrostatically applied, thermally cured, chromate conversion (protects against corrosion) polyester powdercoat finish.

LED Products Manufacturing Standard

The electronic components sensitive to electrostatic discharge (ESD) such as light emitting diodes (LEDs) are assembled in compliance with EC61340-5-1 and ANSI/ ESD S20.20 standards so as to eliminate ESD events that could decrease the useful life of the product.

Vibration and Wind Resistance

Luminaire and GMFL-YTA mounting adapter accessory both meet the ANSI C136.31-2018 specifications, tested by independent lab over 100,000 cycles in all three axes for Normal applications.

Luminaire withstands wind gusts up to 100 miles per hour (160.9 km per hour).

IP Rating

IP66 rated luminaire in all aiming positions with seals around entire perimeter of the lenses and seal around entire perimeter of the driver / electrical compartment. Includes breather element that equalizes pressure between luminaire interior and exterior environment and maintains it over time to prevent water entry and premature gasket failure.

Certifications and Compliance

cULus Listed for Canada and USA. DesignLights Consortium Premium listed. Entire luminaire is rated for operation in ambient temperature of -40°C (-40°F) up to +40°C (+104°F).

Limited Warranty

Luminaires are all covered by a 5-year limited warranty. See signify.com/warranties for details and restrictions. Visit our eCatalogue or contact your local sales representative for more information.

LED Wattage and Lumen Values: 4000K

			3x3		4x4		5x5		6x6	
Ordering Codes	Color Temp	Average System Watts	Lumen Output	Efficacy (LPW)	Lumen Output	Efficacy (LPW)	Lumen Output	Efficacy (LPW)	Lumen Output	Efficacy (LPW)
GMFL-A01-740	4,000	370	61,437	168	60,561	166	62,060	170	60,258	165
GMFL-A02-740	4,000	500	80,497	161	79,350	158	81,314	162	78,953	158
GMFL-A03-740	4,000	640	100,880	158	99,442	156	101,903	160	98,944	155

LED Wattage and Lumen Values: 5000K

			3x3		4x4		5x5		6x6	
Ordering Codes	Color Temp	Average System Watts	Lumen Output	Efficacy (LPW)	Lumen Output	Efficacy (LPW)	Lumen Output	Efficacy (LPW)	Lumen Output	Efficacy (LPW)
GMFL-A01-750	5,000	370	61,437	168	60,561	166	62,060	170	60,258	165
GMFL-A02-750	5,000	500	80,497	161	79,350	158	81,314	162	78,953	158
GMFL-A03-750	5,000	640	100,880	158	99,442	156	101,903	160	98,944	155

Values from photometric tests performed in accordance with IESNA LM-79 and are representative of the configurations shown. Actual performance may vary due to installation and environmental variables, LED and driver tolerances, and field measurement considerations. It is highly recommended to confirm performance with a photometric layout.

NOTE: Some data may be scaled based on tests of similar (but not identical luminaires).

Predicted Lumen Depreciation Data

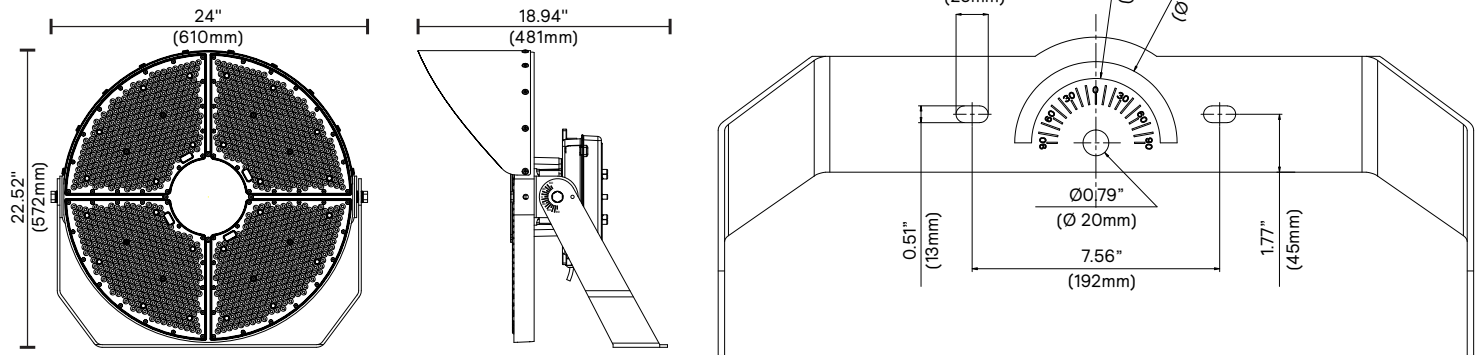
Ambient Temperature °C	Drive Current	Calculated L ₇₀ Hours	L ₇₀ per TM-21	Lumen Maintenance % @ 60,000hrs
25°	75 mA	> 100,000 hours	> 60,000 hours	> 86%

Predicted performance derived from LED manufacturer's data and engineering design estimates, based on IESNA LM-80 methodology. Actual experience may vary due to field application conditions. L₇₀ is the predicted time when LED performance depreciates to 70% of initial lumen output. Published L₇₀ hours limited to 6 times actual LED test hours.

GMFL GameFlood

LED floodlights and Recreational Sportlights

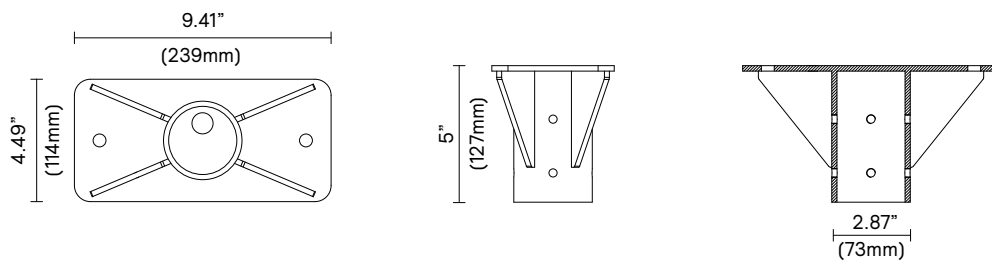
Dimensions



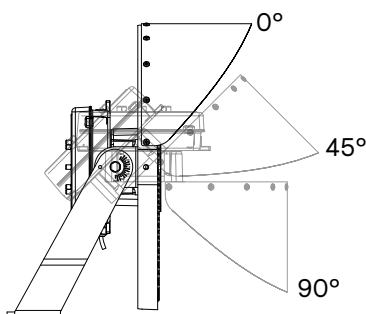
Luminaire weight: 41.9 lbs (19.0 kg)

GMFL-YTA Accessory (ordered separately, field installed, mounting hardware included)

Mounting adaptor for trunnion, fits 2 3/8" O.D. tenon black finish.



Yoke mount aiming diagram



Effective Projected Area (EPA in ft²)

Single: 0° Aim	Single: 45° Aim	Single: 90° Aim
5.05	1.89	1.88



© 2024 Signify Holding. All rights reserved. The information provided herein is subject to change, without notice. Signify does not give any representation or warranty as to the accuracy or completeness of the information included herein and shall not be liable for any action in reliance thereon. The information presented in this document is not intended as any commercial offer and does not form part of any quotation or contract, unless otherwise agreed by Signify.

Signify North America Corporation
400 Crossing Blvd, Suite 600
Bridgewater, NJ 08807
Telephone: 800-555-0050

Signify Canada Ltd.
281 Hillmount Road,
Markham, ON, Canada L6C 2S3
Telephone: 800-668-9008

All trademarks are owned by Signify Holding or their respective owners.