

**LIVE END CONNECTOR
FOR USE WITH BASIC LYTESPAN® TRACK SYSTEM ONLY.**

INSTRUCTION SHEET NO.

IS:6048

1A0206

READ AND UNDERSTAND THESE INSTRUCTIONS BEFORE INSTALLING FIXTURE.

This fixture is intended for installation in accordance with the National Electrical Code and local regulations. To assure full compliance with local codes and regulations, check with your electrical inspector before installation. To prevent electrical shock, turn off electricity at fuse box before proceeding.

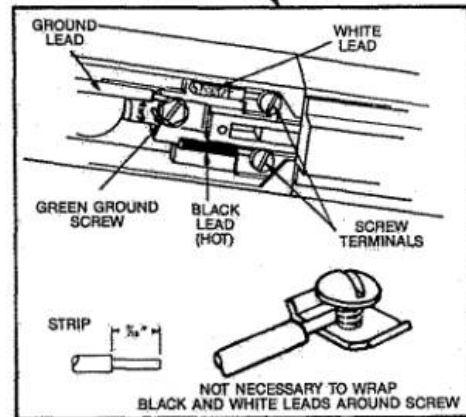
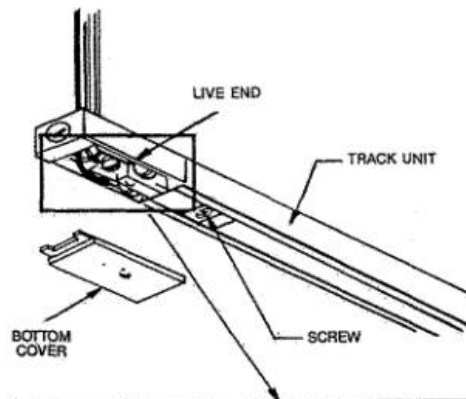
Retain these instructions for maintenance reference.

CAUTION:

- TURN OFF POWER AT FUSE BOX BEFORE INSTALLING TRACK.
- INSTRUCTIONS FOR GROUNDING PER INSTRUCTION SHEET OF THE FEED-IN KIT (IS:6020) MUST BE FOLLOWED. FAILURE TO DO SO MAY RESULT IN A HAZARDOUS CONDITION.
- USE ONLY 12 AWG SOLID WIRE IN LIVE END.
- OBSERVE POLARITY. WHITE WIRE MUST BE CONNECTED TO TERMINAL MARKED "NEUT". FAILURE TO DO SO MAY RESULT IN AN ELECTRICAL HAZARD.

MOUNTING LIVE END TO TRACK UNIT

1. Remove the existing LIVE END, if this is being used as a replacement part, by loosening the screw and pulling it away from the TRACK UNIT.
2. If PLAIN TRACK is being used, disregard instruction #1.
3. Push new LIVE END into the TRACK UNIT and tighten SCREW.
4. Mount and feed supply wires into the LIVE END by following the instructions supplied with the feed-in kit and TRACK UNIT (IS:6020).
5. Connect supply leads as shown.
NOTE: All supply leads including the GROUND must be solid 12 AWG.
WHITE wire to SCREW TERMINAL marked "NEUT"
BLACK wire to unmarked SCREW TERMINAL, GREEN or UNINSULATED GROUND WIRE to GREEN GROUND SCREW marked "GND".
6. Fasten BOTTOM COVER onto LIVE END.



LIVE END DETAIL

FEED-IN KITS WHICH CAN BE USED WITH THE LIVE END

Follow the instructions for power feed to LIVE END in the instruction sheet supplied with:
END FEED CANOPY MOUNTING KIT.
FLOATING CANOPY MOUNTING KIT.
GRID CEILING CANOPY KIT.
STEM MOUNTING KIT.
FLOATING INVISIBLE FEED MOUNTING KIT.
FLOATING CANOPY KIT WITH STAND OFF CLIPS.

Power can also be fed directly into the LIVE END from conduit or cable terminating in 1/2-14 I.P.S. threaded male connector. (see Section E of Instruction Sheet IS:6020).