



Multi - Point Mounts:

- A1** Non-accessible ceiling, 0°- 15° Slope Mount
- A3** Non-accessible ceiling, 0°- 90° Slope Mount
- A2** T-grid Fixed Position Mount
- A5** T-grid 24" Span Mount (non tegular tile only)
- A6-1** T-grid On-grid Mount 15/16" (non tegular tile only)
- A6-2** T-grid On-grid Mount 9/16" (non tegular tile only)
- A6-3** T-grid On-grid Mount 9/16" x 5/16" (slot tee and tegular tile)

IMPORTANT:

- Read all instructions **before** beginning installation.
- To cut cable, **follow these requirements**:
 - ❖ Tools: Griplock TL-CUTTER-AS, Loctite 414 (superglue)
 - ❖ Cutting: **Minimum of 1" excess cable is required** from the gripper exit.
 - ❖ Finishing: Add a drop of superglue at the end of cut cable to prevent fraying.
- For Single-Point mounts (S1 – S6), see page # 25.

PLEASE RETAIN PACKAGE FOR FUTURE REFERENCE

A1 Non-accessible ceiling, 0°-15° Slope Mount

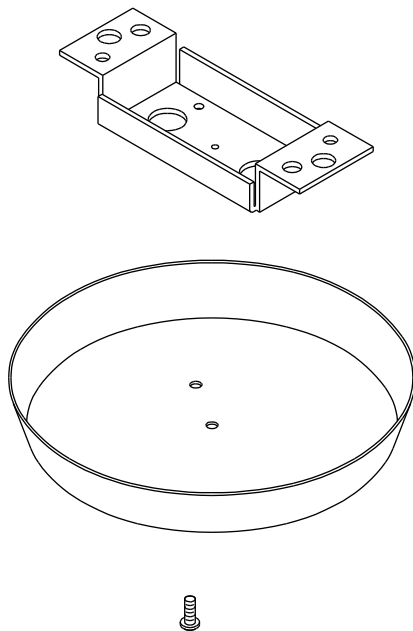
Included in this package:

A1-BP0	A1 Cable Mounting Installation without Power
A1-BP1,2	A1 Cable Mounting Installation with Power

IMPORTANT: Read all instructions **before** beginning installation.

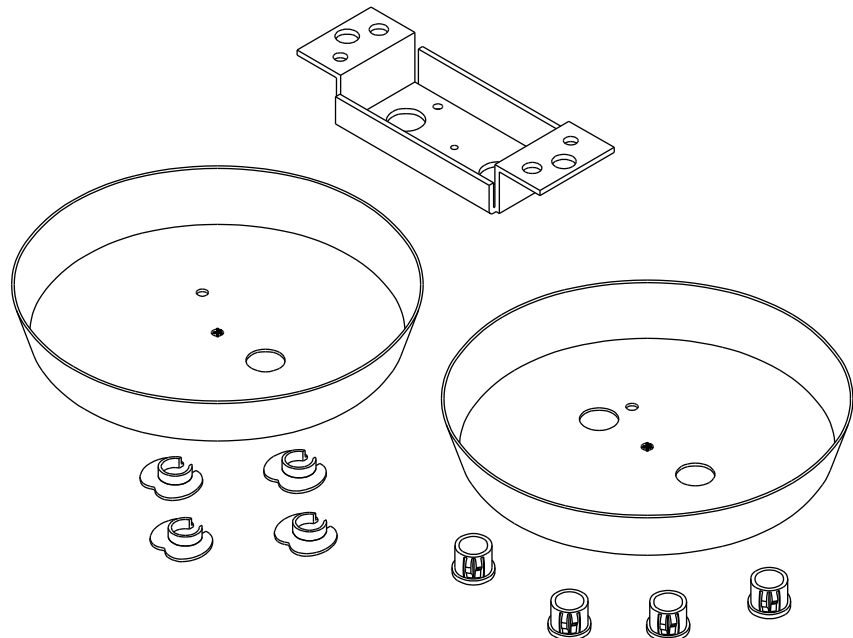
A1 –BP0

- A/C CRIMPED CROSSBAR A1-B (x1)
- A/C CRIMP FORMED CANOPY A1-BP0 (x1)
- #6 x 3/8" SLOT ROUND HEAD SCREW (x1)



A1 –BP1,2 (S1 –BP1,2)

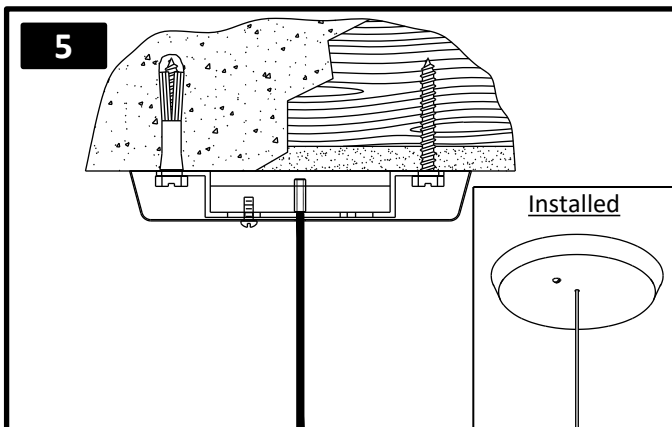
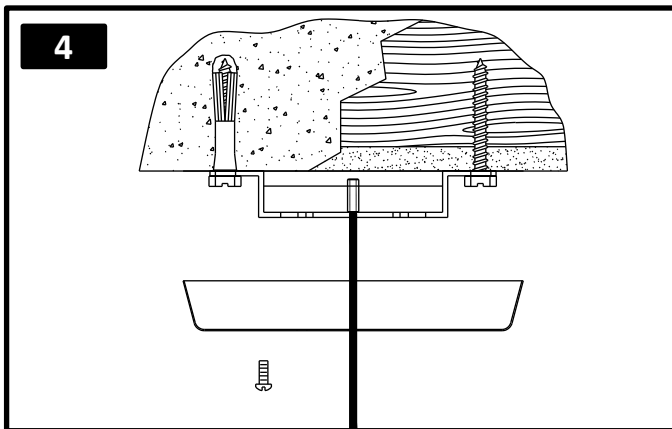
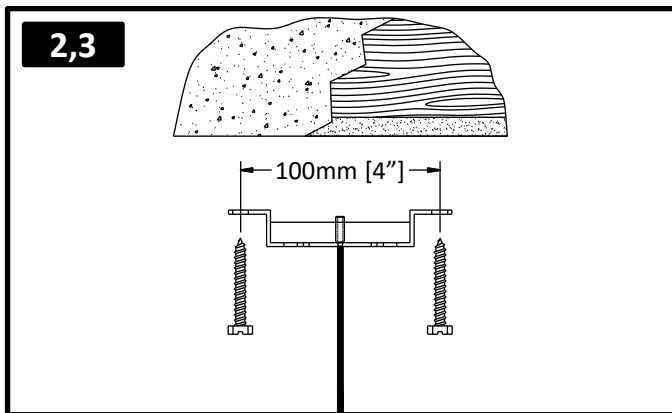
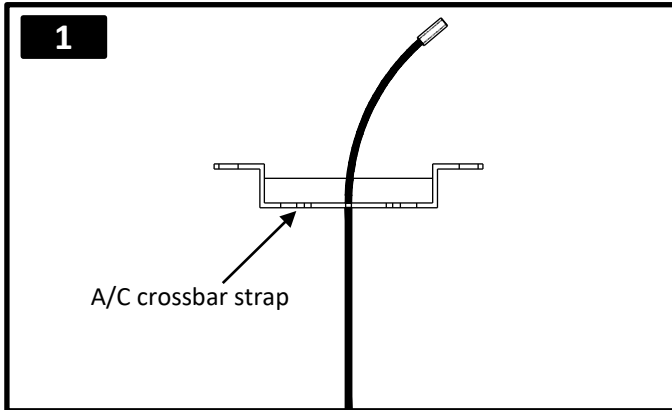
- A/C CRIMPED CROSSBAR A1-B (x1)
- A/C CRIMP FORMED CANOPY (x1)
- #6 x 3/8" SLOT ROUND HEAD SCREW (x1)
- HEYCO 1/2" BUSHING No. 2054 (x2 OR x4)
- BUSHING METAL STRAIN RELIEF (x2 OR x4)



WARNING: Hold on to excess bushings and crimps until fixture installation is completed.

TOOLS REQUIRED: Phillips screwdriver, Flat-head screwdriver, TL-CUTTER-AS (cable cutter), Pliers, Loctite 414

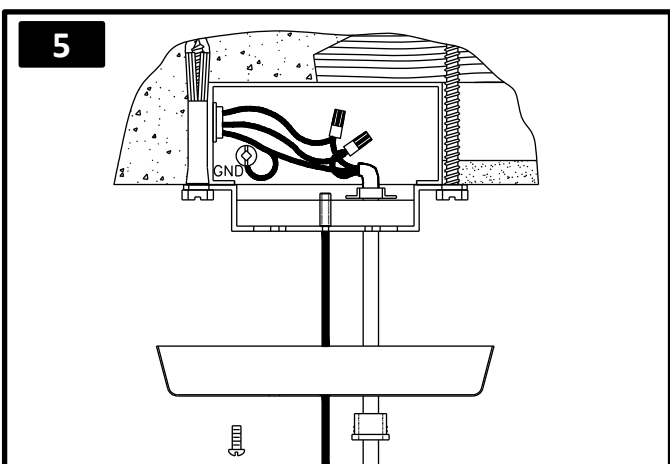
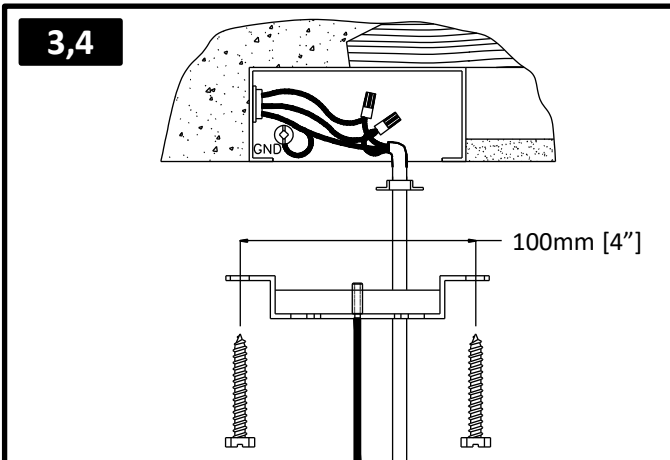
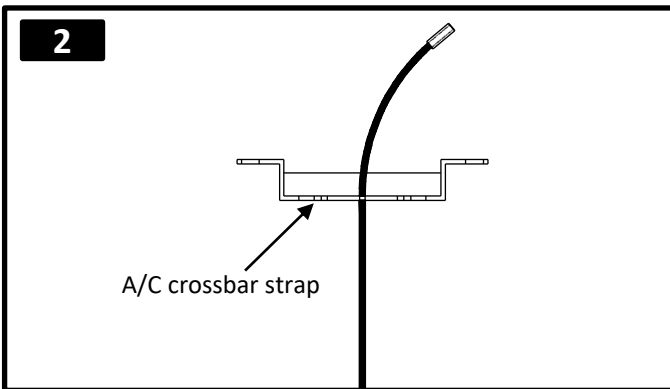
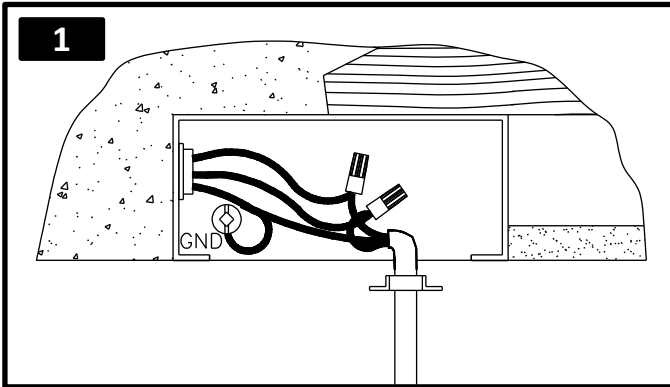
! ATTENTION: Install in accordance with local and national building and electrical codes.



ATTENTION: Refer to associated installation instruction to complete installation (e.g, leveling, joining, powered and non-powered mounts.)

1. Thread crimped aircraft cable through A/C crossbar strap.
2. Select appropriate fasteners, which will support a load of 750lbs. Each, to attach A/C crossbar strap to structure.
3. Secure A/C crossbar strap to location specified on application drawings.
4. Feed aircraft cable through center hole in canopy, align the mounting hole in canopy with A/C crossbar strap. Use a #6 x 3/8 in. screw (provided) to secure canopy to mounting plate.
5. Support fixture sections just above the installed level. Insert free end of aircraft cable into fixture aircraft cable adjuster. After cables have been secured, carefully lower fixture until supported by cable.

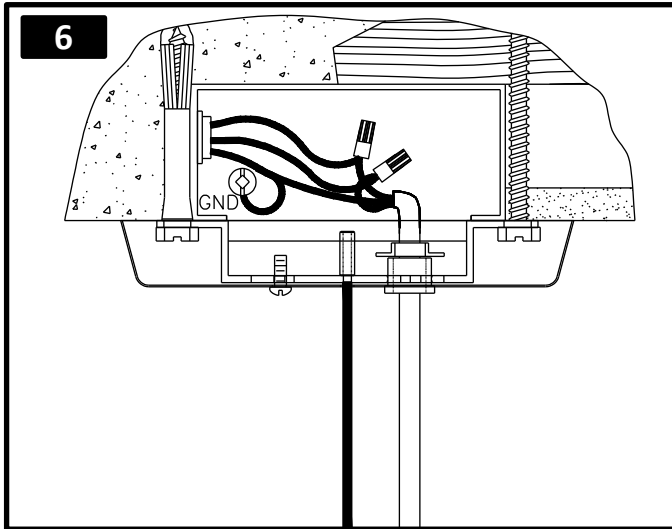
! ATTENTION: Install in accordance with local and national building and electrical codes.



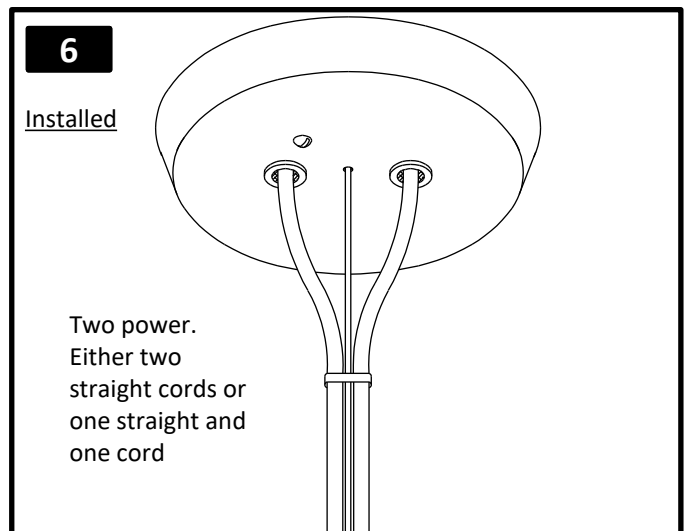
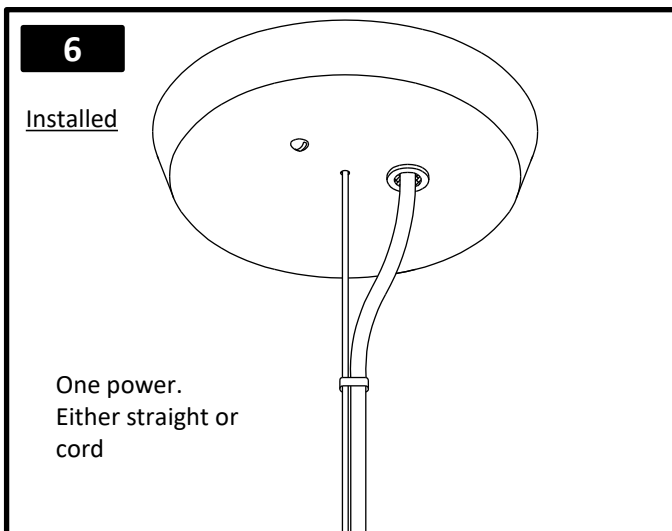
ATTENTION: Refer to associated installation instruction to complete installation (e.g, leveling, joining, powered and non-powered mounts.)
ATTENTION: Ledalite recommends that A/C crossbar straps be mounted to supporting structure to ensure compliance with local electrical code.

1. Install an Iberville #54151-K octagonal box or equivalent. Slip strain relief bushing over one end of power cord, approximately one inch and crimp. Make power and ground connection in octagonal box.
2. Thread aircraft cable through A/C crossbar strap.
3. Select appropriate fasteners, which will support a load of 750lbs. each to attach crossbar strap with stud to structure.
4. Feed power cord through hole in crossbar strap. Secure crossbar strap to location specified on application drawings.
5. Snap bushing (provided) into canopy power supply hole and feed power cord through. Feed aircraft cable through center hole in canopy. Bring the canopy up to ceiling level, align the mounting hole in canopy with A/C crossbar strap. Use a #6 x 3/8 in. screw (provided) to secure canopy to A/C crossbar strap.

! **ATTENTION:** Install in accordance with local and national building and electrical codes.



6. Support fixture sections just above the installed level. Insert free end of aircraft cable into fixture aircraft cable adjuster. After cables have been secured, carefully lower fixture until supported by cable.



! **ATTENTION: Install in accordance with local and national building and electrical codes.**

A2 T-grid Fixed Position Mount

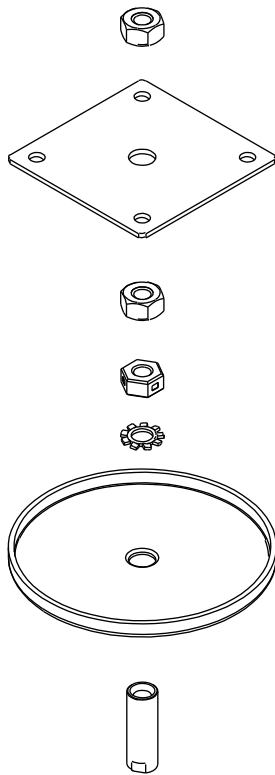
Included in this package:

- A2-CP0 A2 Cable Mounting Installation without Power
- A2-CP1,2 A2 Cable Mounting Installation with Power

IMPORTANT: Read all instructions **before** beginning installation.

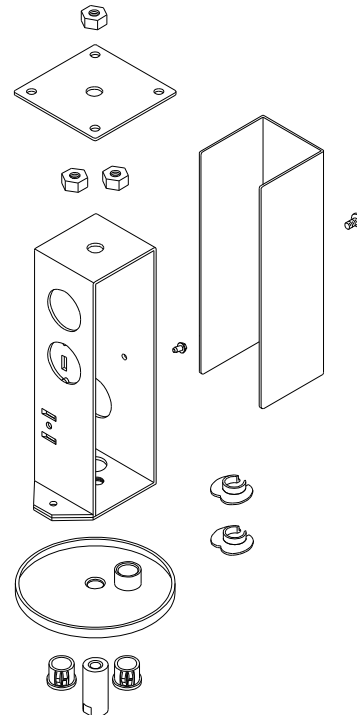
A2 – CP0

- TIE OFF PLATE (x1)
- A/C CABLE COUPLER (x1)
- ¼-20 HEX NUT (x2)
- ¼-20 HEX DIMPLE LOCK NUT (x1)
- ¼" STAR WASHER (X1)
- PLASTIC CANOPY A2 NON-PWR (x1)



A2 – CP1 (S1 – CP1)

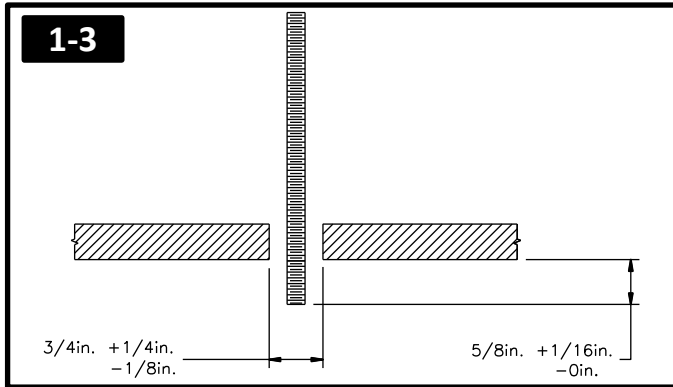
- TIE OFF PLATE (x1)
- A/C CABLE COUPLER (x1)
- ¼-20 HEX NUT (x3)
- SCREW GREEN, GROUNDING (x1)
- #8 x ¼" S/M SCREW (x1)
- BUSHING METAL STRAIN RELIEF (x2)
- HEYCO ½" BUSHING No. 2054 (x2)
- A2-C MOUNTING STRAP (x1)
- A2-C UNI MOUNTING J-BOX COVER (x1)
- PLASTIC CANOPY A2 PWR (x1)



WARNING: Hold on to excess bushings and crimps until fixture installation is completed.

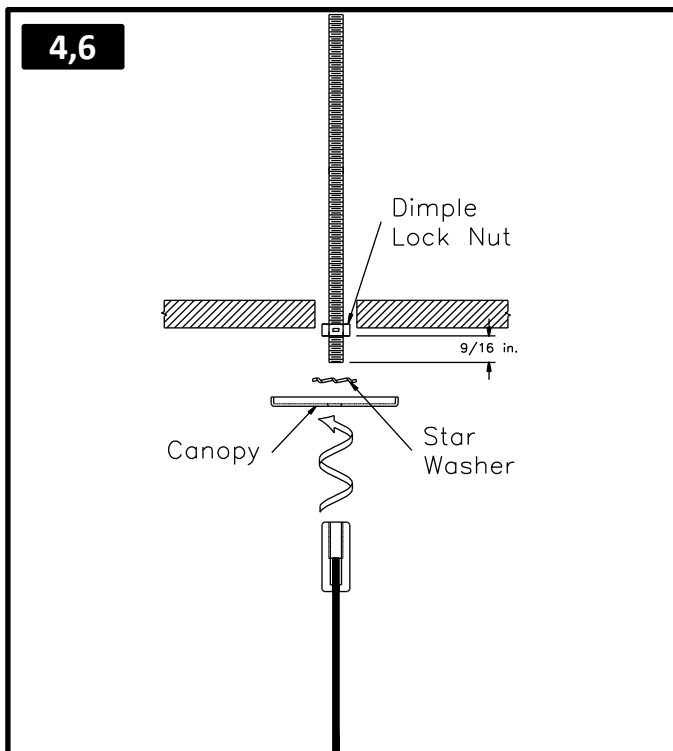
TOOLS REQUIRED: Phillips screwdriver, Flat-head screwdriver, #2 Robertson screwdriver (optional), Hole saw, TL-CUTTER-AS (cable cutter), Pliers, Loctite 414

! **ATTENTION:** Install in accordance with local and national building and electrical codes.



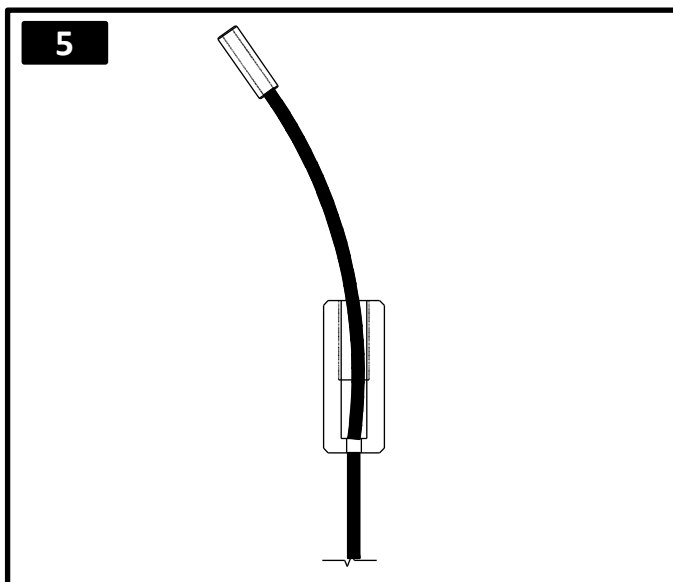
ATTENTION: Refer to associated installation instruction to complete installation (e.g, leveling, joining, powered and non-powered mounts.)

1. Secure 1/4"-20 threaded rod (supplied by others) to the substructure, directly above specified mount location. (see layout drawings)
Note: Recommend using a minimum A36 steel 1/4"-20 threaded rod.

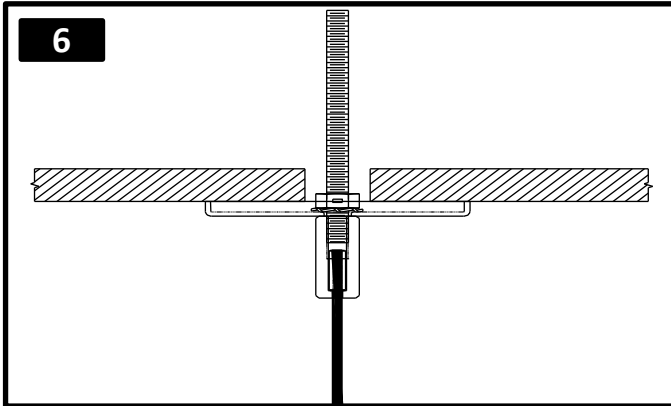


ATTENTION: The 1/4"-20 ready rod which is attached to the substructure must safely support an axial load of 1500lbs.

2. Important: The free end of the threaded rod must be located at approximately 5/8" below ceiling level.
3. Drill a 3/4" diameter hole in ceiling tile at the specified mount location using a hole saw.
4. Thread locknut onto threaded rod until bottom of nut is 9/16 " above free end of rod.
5. Insert the aircraft cable through the 1/4"-20 crimp adapter.

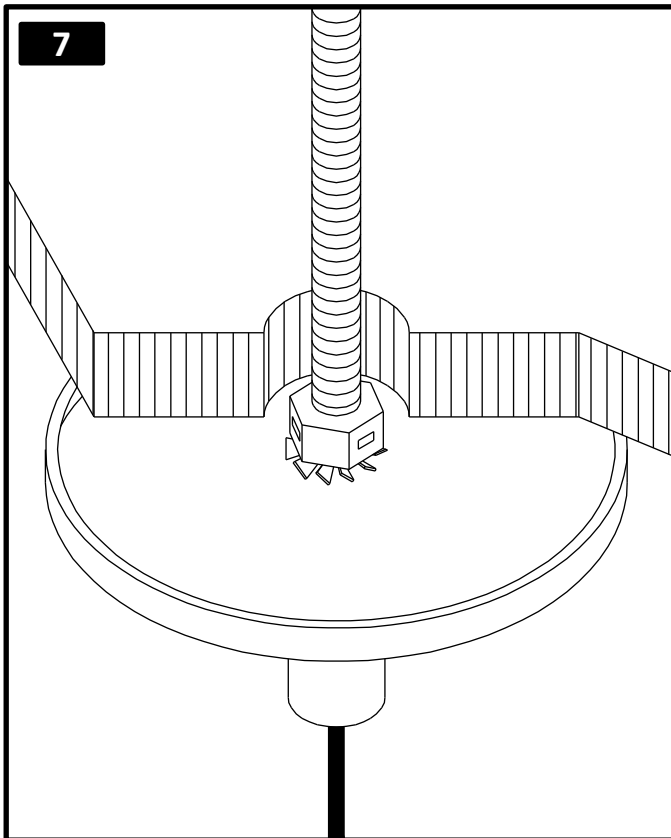


! ATTENTION: Install in accordance with local and national building and electrical codes.

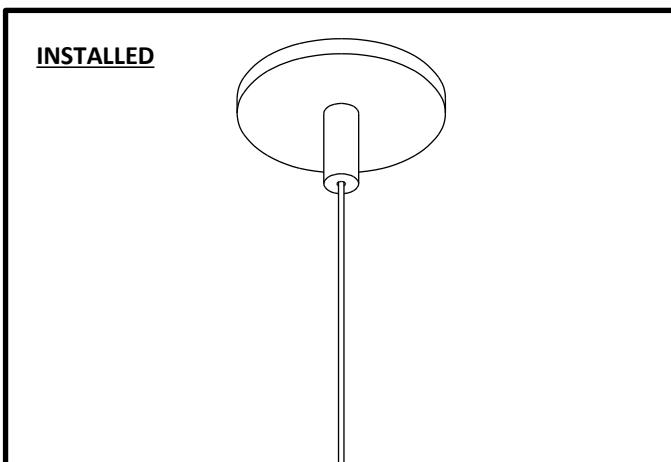


6. In this sequence, slide the star washer and canopy onto $\frac{1}{4}$ "-20 ready rod, and begin tightening the $\frac{1}{4}$ "-20 crimp adapter.

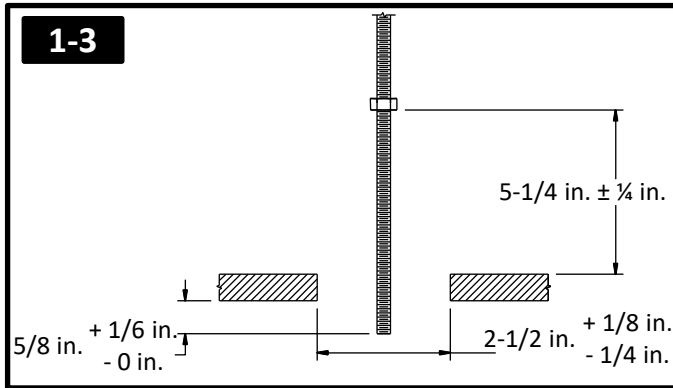
IMPORTANT: ENSURE THAT THE $\frac{1}{4}$ "-20 GRIPPER IS TIGHTENED SECURELY AGAINST THE MOUNTING STRAP AND CANOPY.



7. Support fixture sections just above the installed level. Insert free end of aircraft cable into fixture aircraft cable adjuster. After cables have been secured, carefully lower fixture until supported by cable.



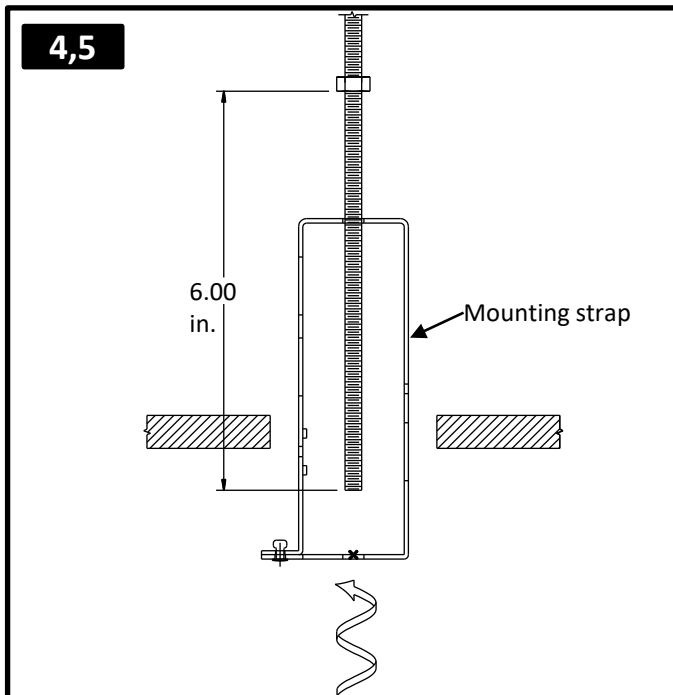
! **ATTENTION: Install in accordance with local and national building and electrical codes.**



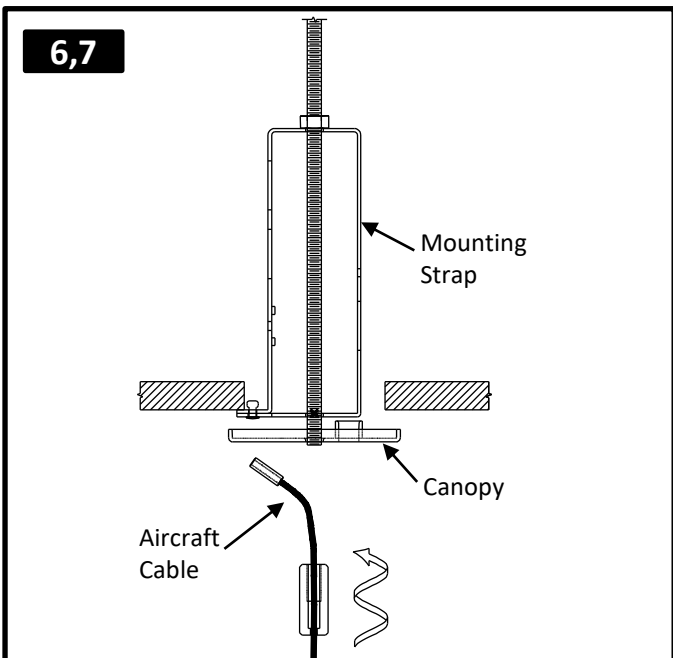
ATTENTION: Refer to associated installation instruction to complete installation (e.g, leveling, joining, powered and non-powered mounts.)

1. Secure 1/4"-20 threaded rod (supplied by others) to the substructure, directly above specified mount location. (see layout drawings)
Note: Recommend using a minimum A36 steel 1/4"-20 threaded rod.

ATTENTION: The 1/4"-20 ready rod which is attached to the substructure must safely support an axial load of 1500lbs.

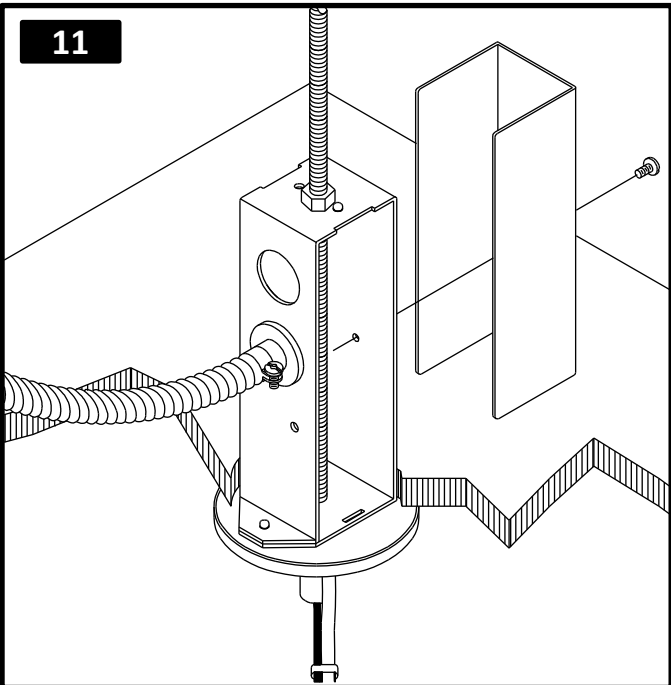
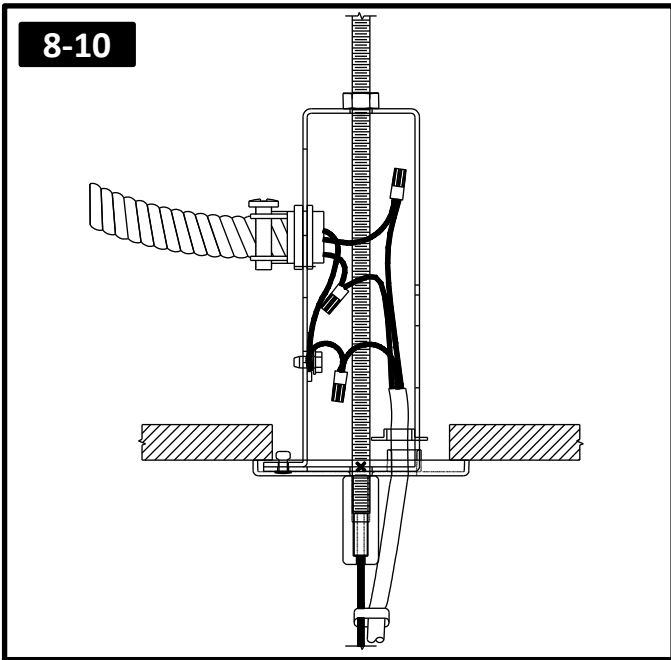
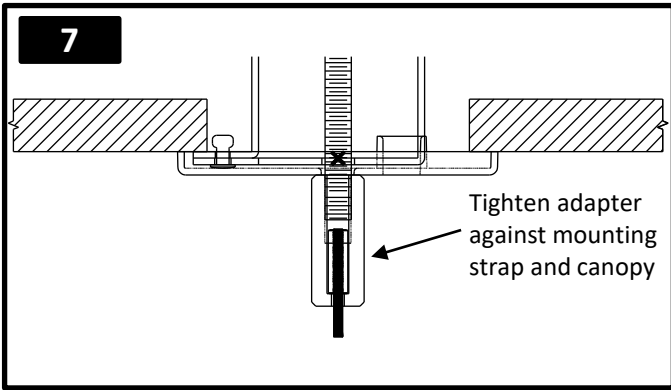


2. **Important:** The free end of the threaded rod must be located approximately 5/8" below ceiling level.
3. Drill a 2-1/2" diameter hole in ceiling tile at the specified mount location using a hole saw.
4. Thread one of the 1/4"-20 nuts (provided) onto the threaded rod to at least 6" above the free end of the rod.
5. Spin mounting strap onto threaded rod until tabs contact ceiling tile.
6. Insert the aircraft cable through the 1/4"-20 crimp adapter.
7. Slide canopy onto 1/4"-20 threaded rod and begin tightening the 1/4"-20 crimp adapter.

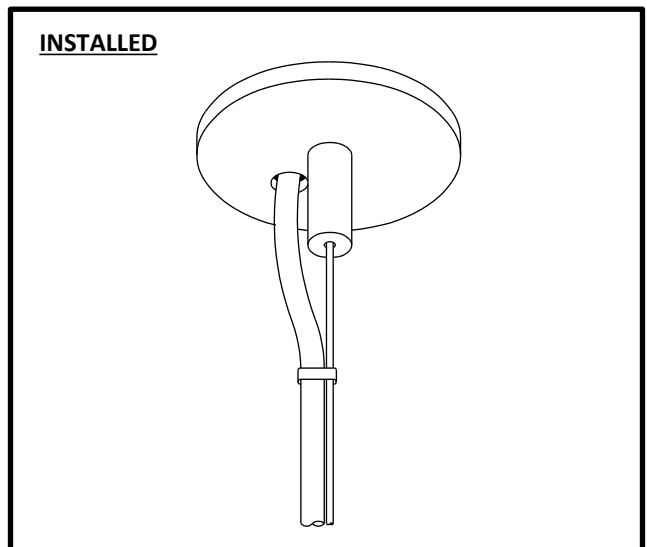


IMPORTANT: ENSURE THAT THE 1/4"-20 GRIPPER IS TIGHTENED SECURELY AGAINST THE MOUNTING STRAP AND CANOPY.

! ATTENTION: Install in accordance with local and national building and electrical codes.



8. Support fixture sections just above the installed level. Insert free end of aircraft cable into fixture aircraft cable adjuster. After cables have been secured carefully lower fixture until supported by cable.
9. Access the mount from above, through an adjacent tile, and screw mount further on to threaded rod so the canopy is again in contact with ceiling tile after any settling. Lock mount in place by tightening the 1/4"-20 nut down onto the top of the mount.
10. Connect power cable to ground screw provided. Pass fixture power cord (provided) through canopy power hole(s) and bushing(s), crimp metal strain relief(s) onto cord(s) above canopy. Make appropriate power connections.
11. Attached J-box cover using screws provided



! ATTENTION: Install in accordance with local and national building and electrical codes.

A3 Non-accessible ceiling, 0°-90° Slope Mount

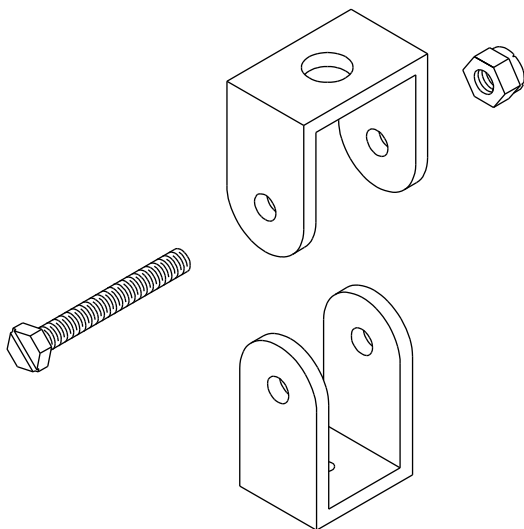
Included in this package:

- A3-BP0 A3 Cable Mounting Installation without Power
 A3-P1,P2 A3 Cable Mounting Installation with Power

IMPORTANT: Read all instructions **before** beginning installation.

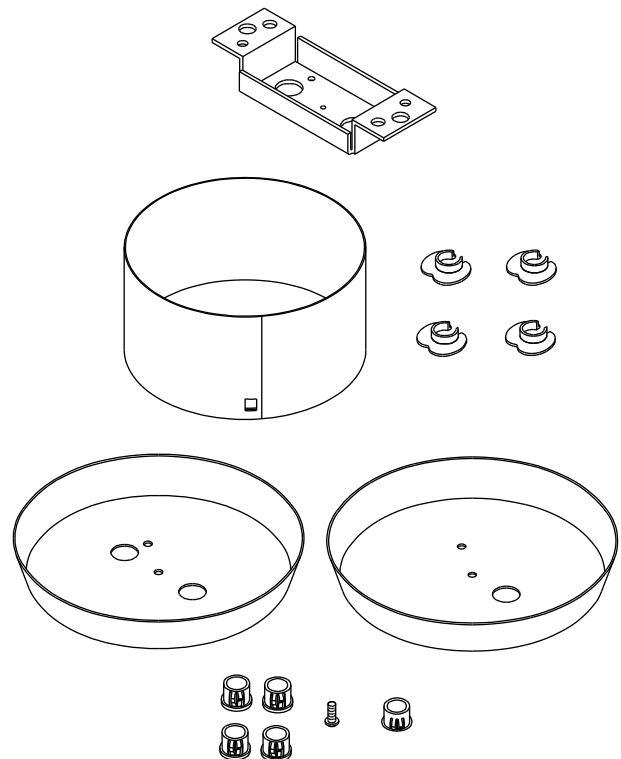
A3 – BP0

- BOLT BRACKET MOUNT (x1)
- A/C CRIMPED BRACKET (x1)
- #10-32 NYLON INSERT LOCK NUT (x1)
- #10-32 x 1-1/2" HEX SLOT HEAD BOLT (x1)



A3 – P1,P2 (S3 – P1,P2)

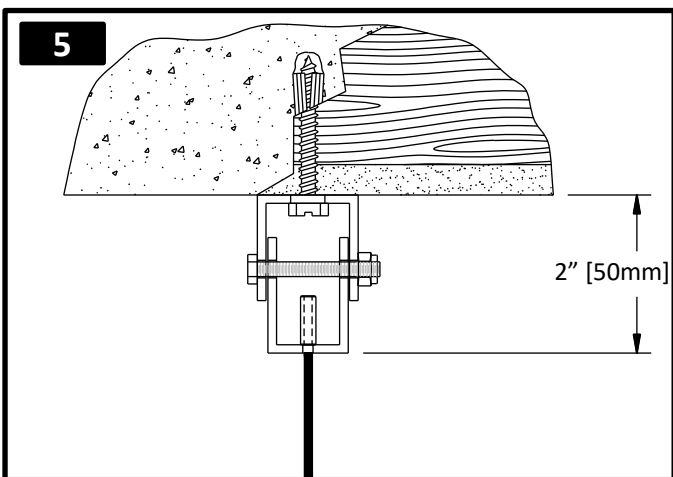
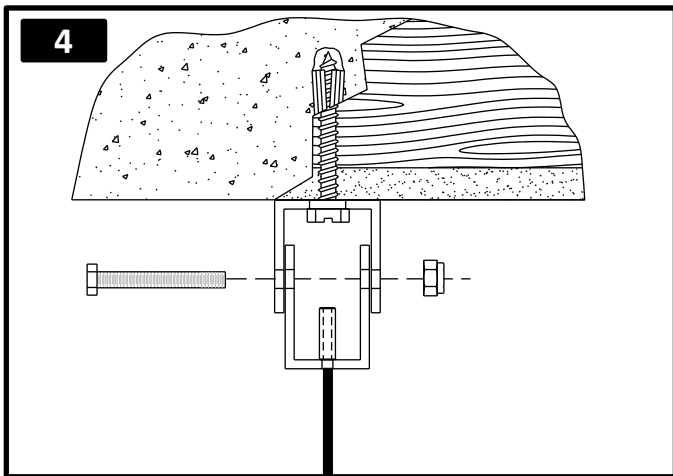
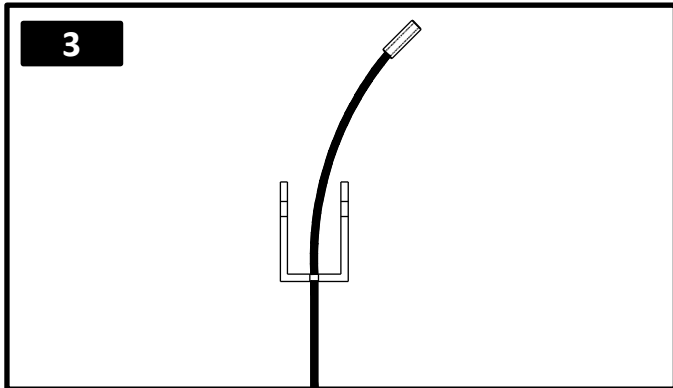
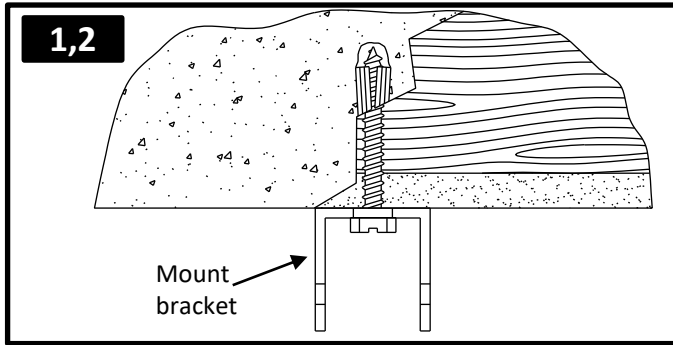
- PAINTED CANOPY SCREW (x1)
- A/C CRIMPED CROSS BAR (x1)
- A/C CRIMP FORMED CANOPY A1-CP2
- CANOPY EXTENSION RING/COLLAR (x1)
- BUSHING METAL STRAIN RELIEF (x2 or x4)
- HEYCO 1/2" BUSHING No. 2054 (x2 or x4)
- HEYCO 1/2" PLUG (x1)



WARNING: Hold on to excess bushings and crimps until fixture installation is completed.

TOOLS REQUIRED: Phillips screwdriver, Flat-head screwdriver, #2 Robertson screwdriver (optional), TL-CUTTER-AS (cable cutter), Pliers, Loctite 414

! ATTENTION: Install in accordance with local and national building and electrical codes.



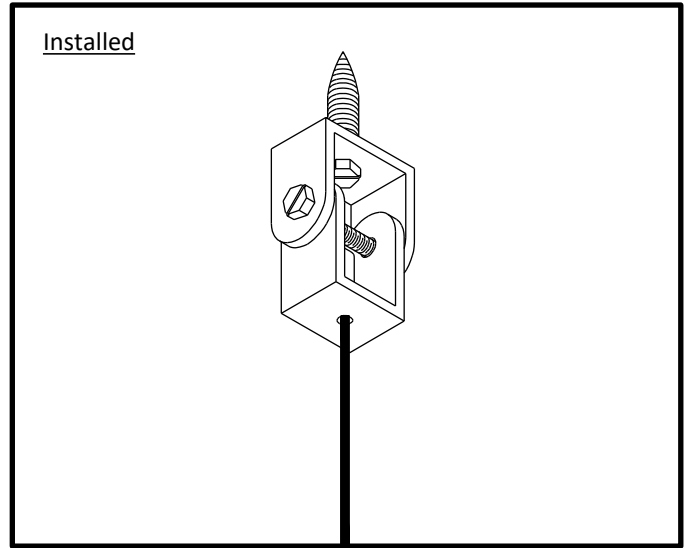
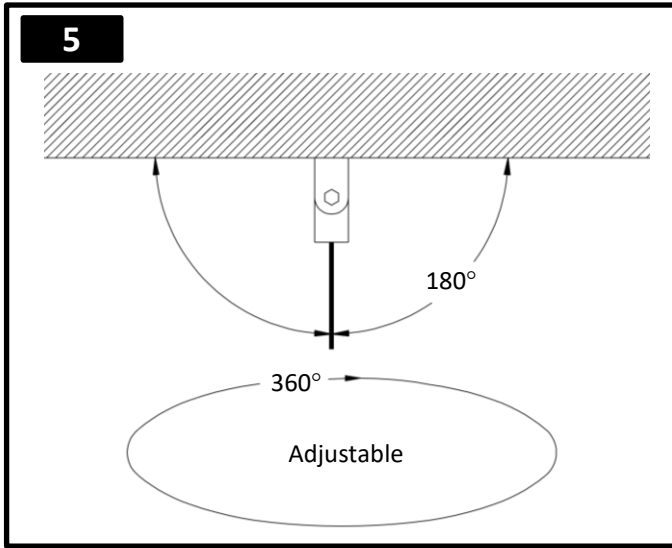
ATTENTION: Refer to associated installation instruction to complete installation (e.g, leveling, joining, powered and non-powered mounts.)

1. Select an appropriate fastener which will support a load of 1500lbs. and accommodate a 3/8" diameter hole to attach the bracket to the structure.
2. Secure bolt bracket to structure at location specified on application drawings.
3. Thread aircraft cable through crimp bracket.

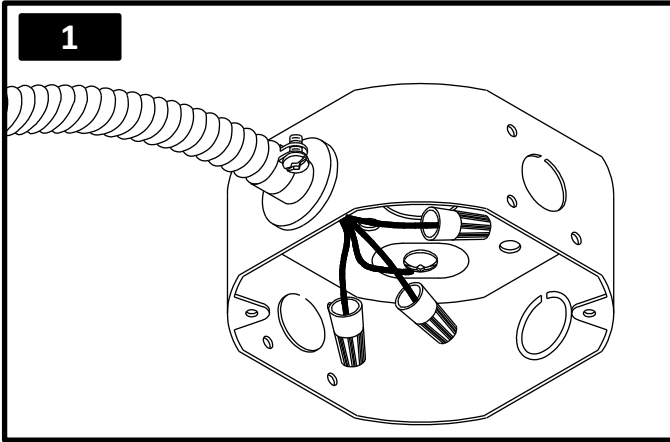
ATTENTION: The fastener which is attached to the structure must safely support a load of 1500lbs.

4. Connect crimp bracket to bolt bracket using #10-32 x 1-1/2" bolt and nut supplied with mount.
5. Support fixture sections just above the installed level. Insert free end of aircraft cable into fixture's aircraft cable adjuster. After cables have been secured, carefully lower fixture until supported by cable

! ATTENTION: Install in accordance with local and national building and electrical codes.

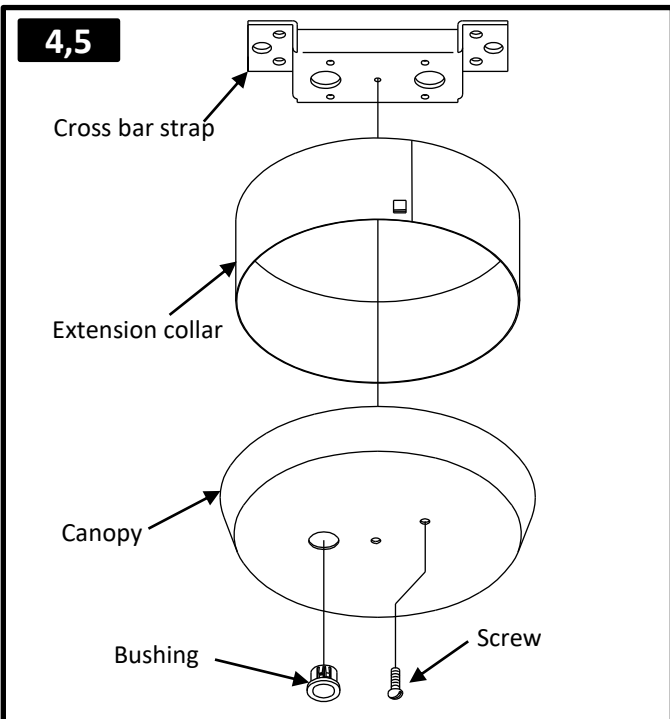
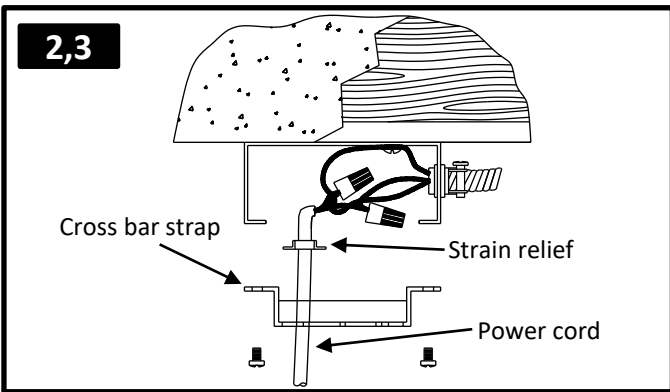


! **ATTENTION: Install in accordance with local and national building and electrical codes.**

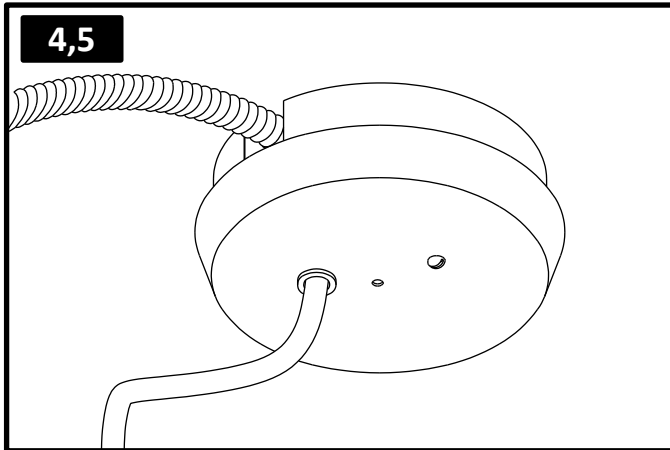


ATTENTION: Refer to associated installation instruction to complete installation (e.g, leveling, joining, powered and non-powered mounts.)

1. Secure an Iberville #54151-K octagonal box or equivalent 1" to 6" from the mounting location.
2. Slip strain relief bushing over prestripped power cord approximately 1" from end of jacket and crimp it. Complete power and ground connections in octagonal box.
3. Feed power cord through hole in A/C cross bar strap and secure A/C cross bar strap to octagonal box.
4. For one power, snap one bushing and plug into canopy power hole in. For two power, snap both bushings into canopy power holes.



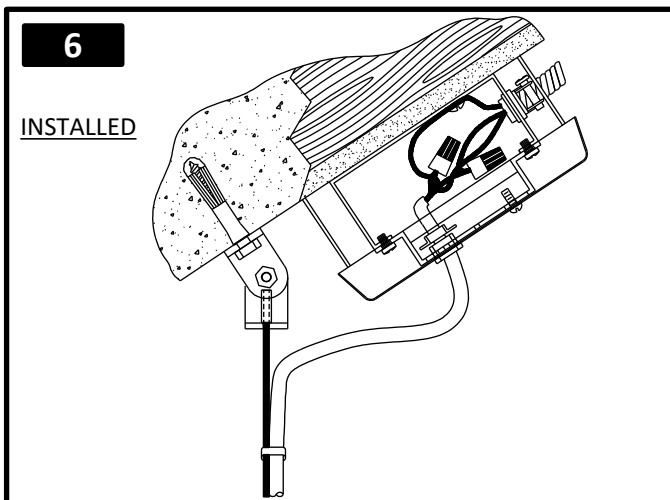
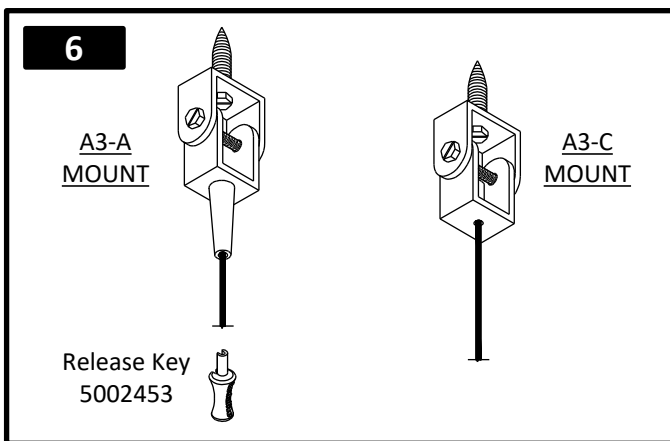
! **ATTENTION:** Install in accordance with local and national building and electrical codes.



5. Feed power cord through canopy extension collar then through power hole(s) in canopy. Bring the canopy up to ceiling level, align mounting hole in canopy with that of A/C crossbar strap and use the supplied #6 x 3/8" screw to secure canopy to crossbar strap.

ATTENTION: If the junction box is recessed, ignore the extension collar.

6. Install the A3-A or A3-C mount to the location specified on application drawings according to installation instructions labeled A3-AP0 or A3-CP0.



! **ATTENTION: Install in accordance with local and national building and electrical codes.**

A5 T-grid 24" Span Mount (Non tegular tile only)

What is Included in this package:

- A5-CP0 A5 Cable Mounting Installation without Power
- A5-CP1,2 A5 Cable Mounting Installation with Power

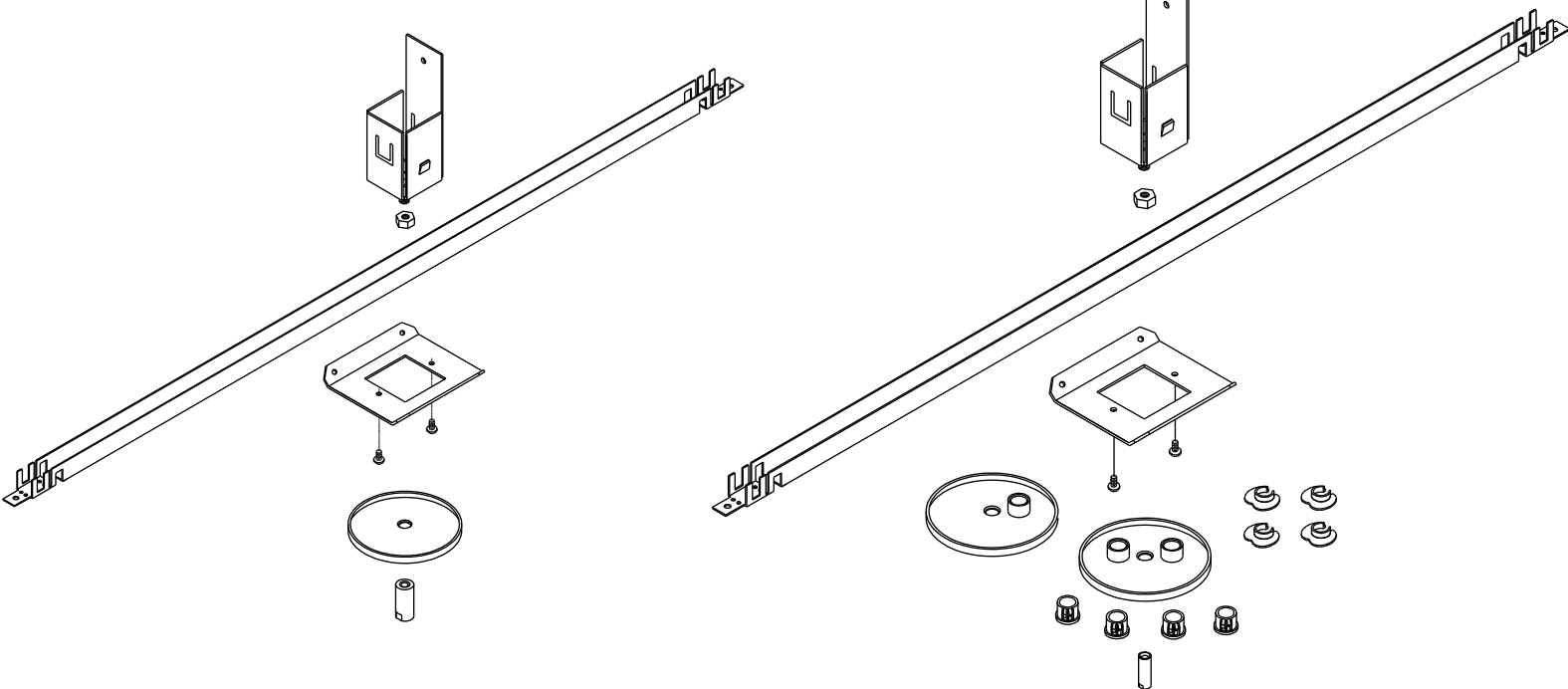
IMPORTANT: Read all instructions before beginning installation.

A5 – CP0

- A5/P5 SUPPORT PLATE (x1)
- A5/P5 LOCATION CHANNEL (x1)
- A5-C MOUNTING STRAP S/A (x1)
- A/C CABLE COUPLER (x1)
- ¼-20 HEX NUT (x1)
- #8 x ¼" S/M SLOT/ROB SCREW (x2)
- PLASTIC CANOPY A2 NON-PWR (x1)

A5 – CP1,2 (S5 – CP1,2)

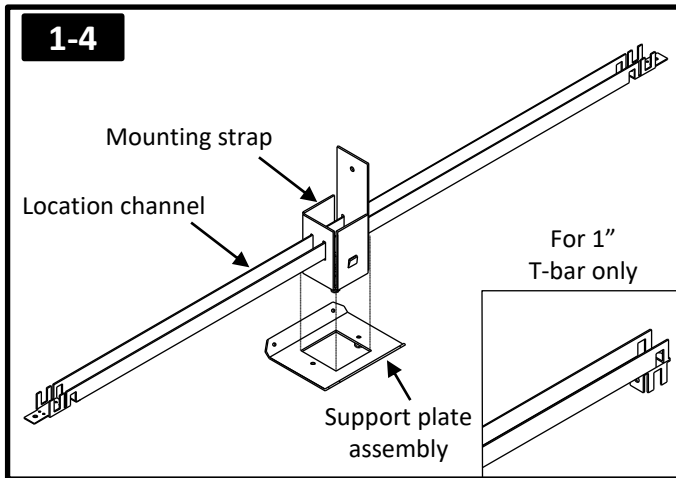
- A5/P5 SUPPORT PLATE (x1)
- A5/P5 LOCATION CHANNEL (x1)
- A5-C MOUNTING STRAP S/A (x1)
- A/C CABLE COUPLER (x1)
- ¼-20 HEX NUT (x1)
- #8 x ¼" S/M SLOT/ROB SCREW (x2)
- BUSHING METAL STRAIN RELIEF (x4 OR x2)
- HEYCO ½" BUSHING No. 2054 (x4 OR x2)
- PLASTIC CANOPY A2 PWR (x1)



WARNING: Hold on to excess bushings and crimps until fixture installation is completed.

TOOLS REQUIRED: Phillips screwdriver, Flat-head screwdriver, #2 Robertson screwdriver (optional), TL-CUTTER-AS (cable cutter), Hole saw, Pliers, Loctite 414

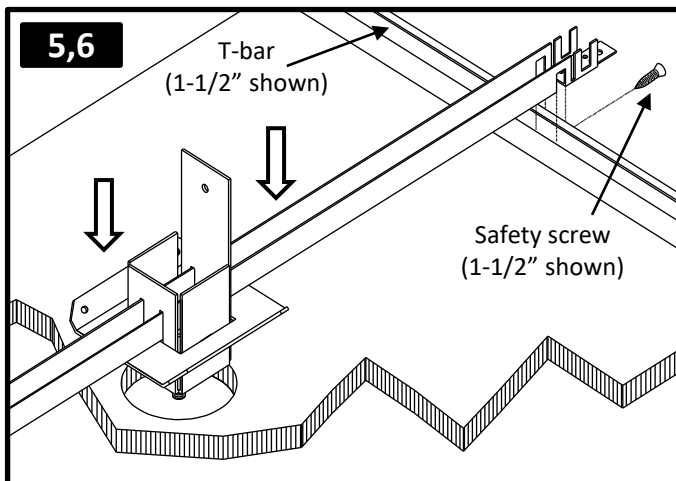
! ATTENTION: Install in accordance with local and national building and electrical codes.



ATTENTION: Refer to associated installation instruction to complete installation (e.g, leveling, joining, powered and non-powered mounts.)

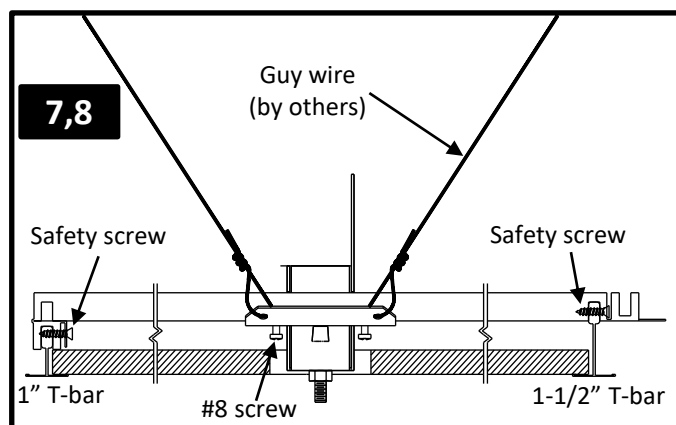
1. Attach four 12 gauge steel guy wires (by others) to substructure above. Guy wires should be angled at approximately 45° or less off the horizontal. Do not tie off loose ends until step 2.
2. Drill a 2 1/4 inch diameter hole in ceiling tile at desired mount location using a hole saw. Ensure center of hole is minimum 2 inches away from edge of T bar.

Note: This mounting system is designed to work with 1 inch and/or 1-1/2 inch T bar systems. Determine specific application and follow appropriate instructions in step 3.



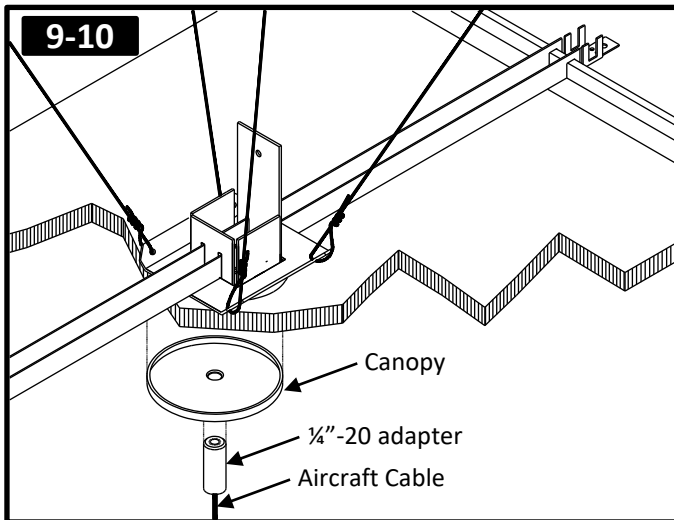
3. For 1 inch T-bar slide location channel through mounting strap, and fold tabs of location channel as shown. For 1-1/2 inch T-bar slide location channel through mounting strap and use location channel as shipped.
4. Snap support plate assembly past mounting strap tabs to bottom of location channel.
5. Through an adjacent tile, place mounting assembly over 2-1/4 inch diameter hole and adjust mounting strap to desired position. Once strap is aligned with mounting location, snap assembly to T-bar.
6. To secure location channel, screw a self-tapping metal screw (supplied by others) into T-bar at each end.

IMPORTANT: Location channel is designed to locate mounting point, NOT to support fixture.



7. From below installed mount, tighten the two #8 sheet metal screws, to bind location channel, mounting strap and support plate together.
8. **IMPORTANT:** Attach guy wires installed in the first step to support plate by threading free ends through corner holes and tightly wrapping wires around themselves a minimum of four turns.

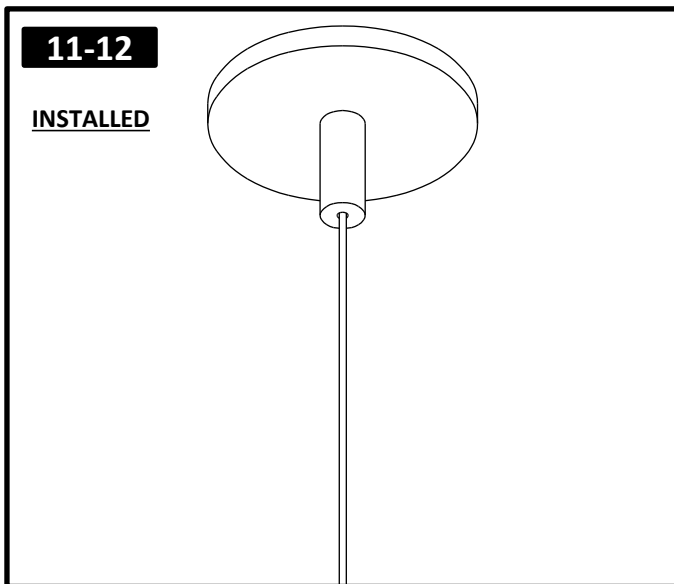
! **ATTENTION:** Install in accordance with local and national building and electrical codes.



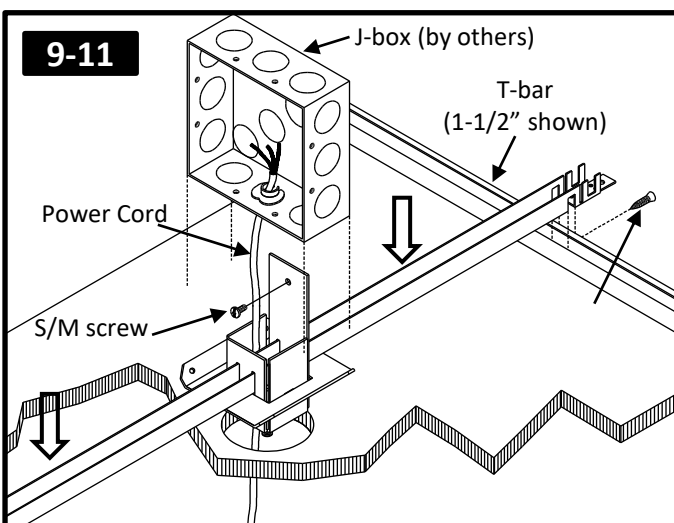
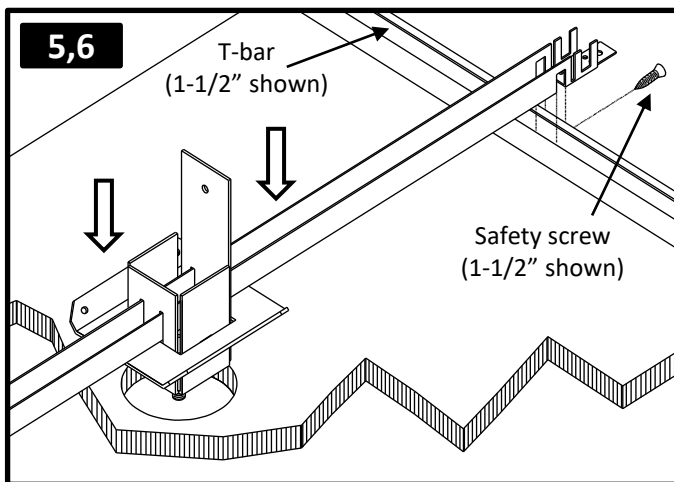
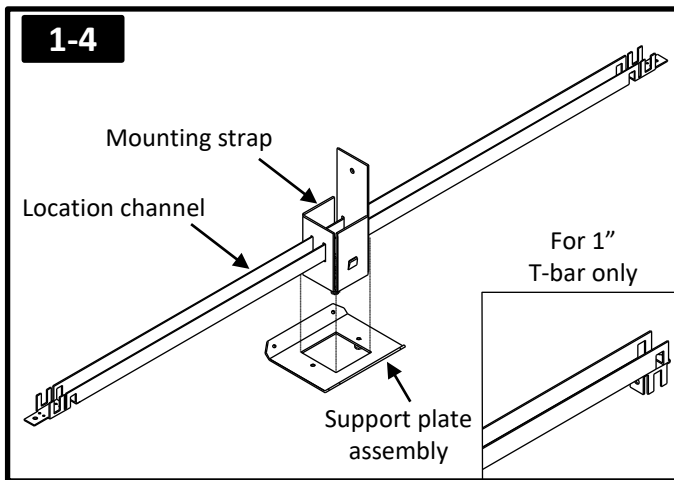
9. Insert crimped end of aircraft cable through the 1/4"-20 adapter.
10. Secure canopy to mounting strap by threading the 1/4"-20 adapter onto mounting strap 1/4"-20 stud.

IMPORTANT: Fully tighten 1/4"-20 adapter against mounting strap hex nut.

11. Support fixture sections just above the installed level. Insert free end of aircraft cable into fixture aircraft cable adjuster. After cable has been secured, carefully lower fixture until supported by cable.
12. If applicable, make appropriate power connections at fixture level.



! **ATTENTION: Install in accordance with local and national building and electrical codes.**



ATTENTION: Refer to associated installation instruction to complete installation (e.g, leveling, joining, powered and non-powered mounts.)

1. Attach four 12 gauge steel guy wires (by others) to substructure above. Guy wires should be angled at approximately 45° or less off the horizontal. Do not tie off loose ends until step 2.
2. Drill a 2 1/4 inch diameter hole in ceiling tile at desired mount location using a hole saw. Ensure center of hole is minimum 2 inches away from edge of T bar.

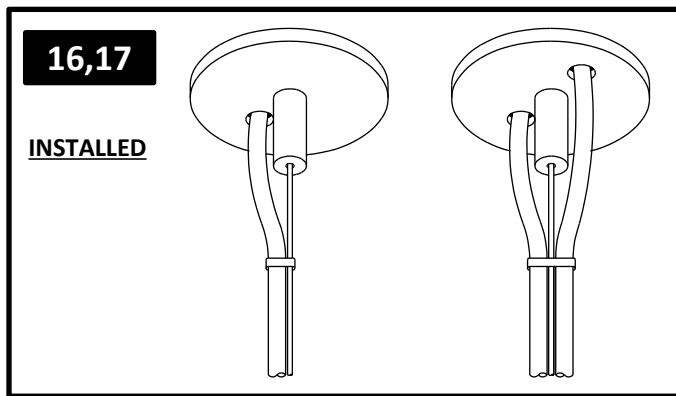
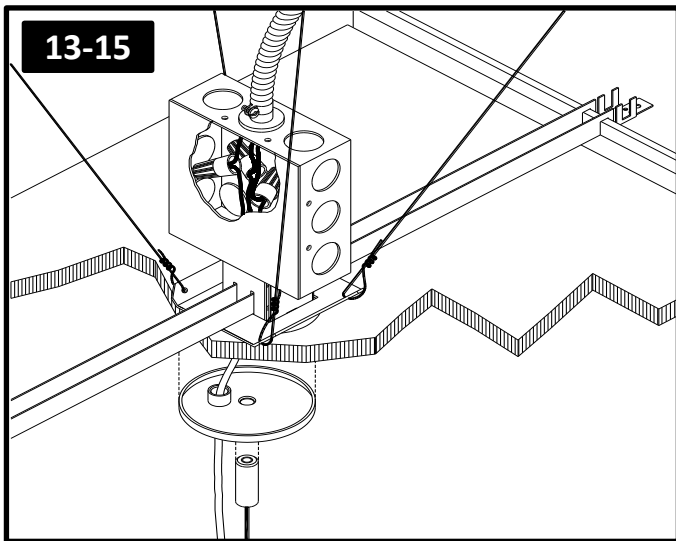
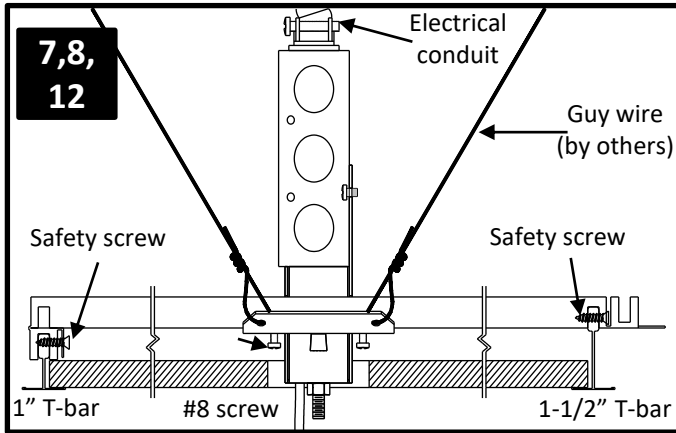
Note: This mounting system is designed to work with 1 inch and/or 1-1/2 inch T bar systems. Determine specific application and follow appropriate instructions in step 3.

3. For 1 inch T-bar slide location channel through mounting strap, and fold tabs of location channel as shown. For 1-1/2 inch T-bar slide location channel through mounting strap and use location channel as shipped.
4. Snap support plate assembly past mounting strap tabs to bottom of location channel.
5. Through an adjacent tile, place mounting assembly over 2-1/4 inch diameter hole and adjust mounting strap to desired position. Once strap is aligned with mounting location, snap assembly to T-bar.
6. To secure location channel, screw a self-tapping metal screw (supplied by others) into T-bar at each end.

IMPORTANT: Location channel is designed to locate mounting point, NOT to support fixture.

7. From below installed mount, tighten the two #8 sheet metal screws, to bind location channel, mounting strap and support plate together.
8. **IMPORTANT:** Attach guy wires installed in the first step to support plate by threading free ends through corner holes and tightly wrapping wires around themselves a minimum of four turns.

! **ATTENTION:** Install in accordance with local and national building and electrical codes.



9. Assemble j-box, strain relief connector, and power cord.
10. Feed power cord through mounting strap hole(s).
11. Fasten j-box assembly to mounting strap using a self tapping sheet screw. (supplied by others).
12. Connect electrical conduit to j-box and make required electrical connections.
13. Insert and feed power cord through canopy hole.
14. Insert crimped end of aircraft cable through the 1/4"-20 adapter.
15. Secure canopy to mounting strap by threading the 1/4"-20 adapter onto mounting strap 1/4"-20 stud.

IMPORTANT: Fully tighten 1/4"-20 adapter against mounting strap hex nut.

16. Support fixture sections just above the installed level. Insert free end of aircraft cable into fixture aircraft cable adjuster. After cable has been secured, carefully lower fixture until supported by cable.
17. If applicable, make appropriate power connections at fixture level.

! ATTENTION: Install in accordance with local and national building and electrical codes.

A6 T-grid On-grid Mount (non tegular tile only)

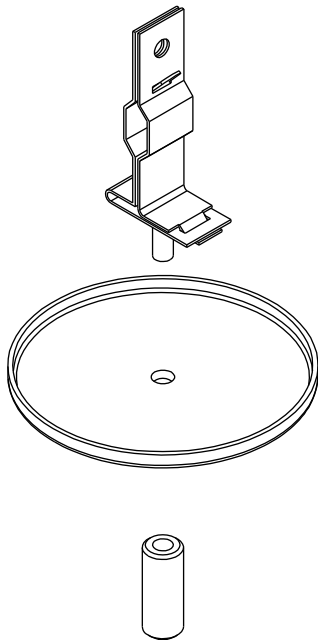
Included in this package:

- A6-P0 A6 Cable Mounting Installation without Power
 A6-P1 A6 Cable Mounting Installation with Power

IMPORTANT: Read all instructions before beginning installation.

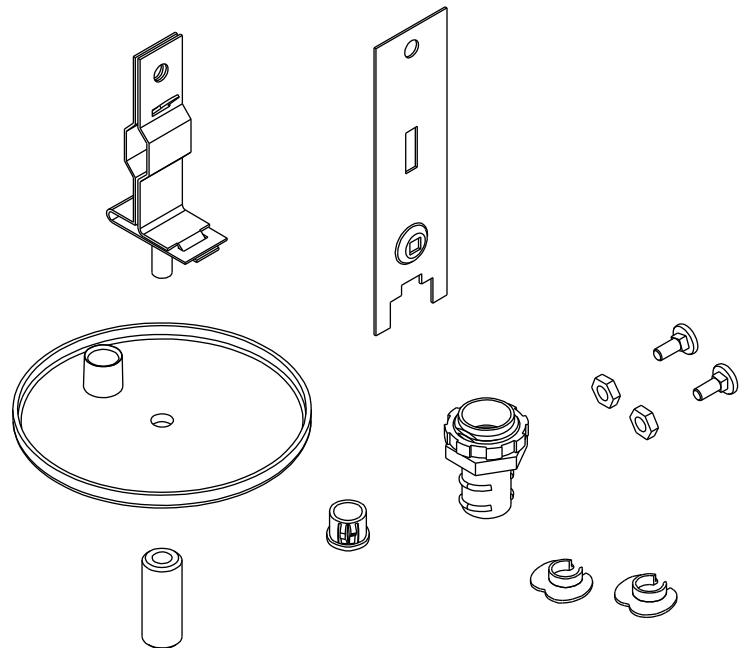
A6 – P0

- CABLE ADAPTER (x1)
- CADDY IDS CLIP (x1)
- MOLDED CANOPY NON-PWR (x1)



A6 – P1 (S6 – P1)

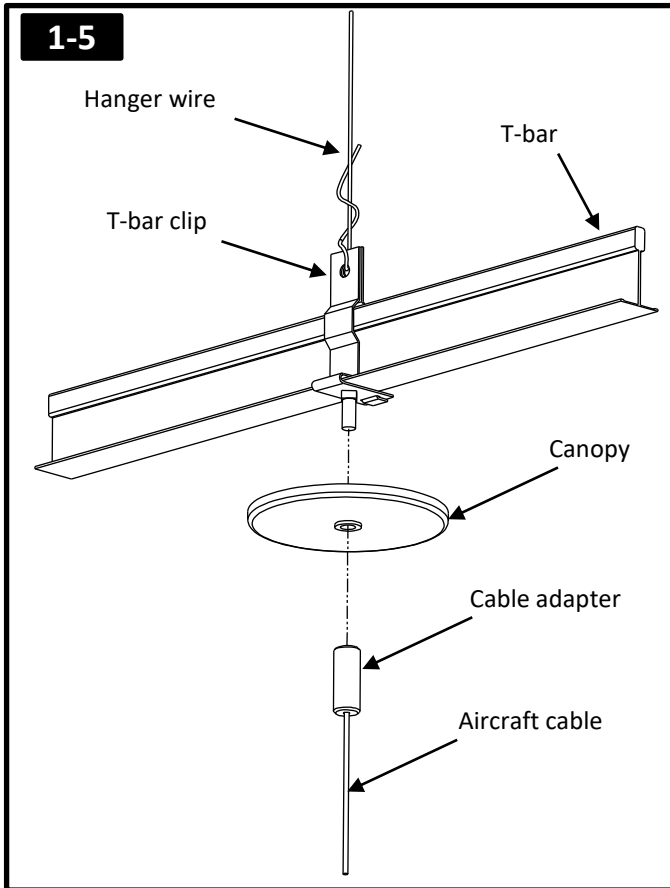
- A6 POWER ADAPTER BRACKET (x1)
- CABLE ADAPTER (x1)
- CADDY IDS CLIP (x1)
- HEX NUT 10-24 (x2)
- ELEC, FLEX CONDUIT ½: #XC-241 (x1)
- SCREW, 10-24 x 9/16" (x2)
- HEYCO ½" BUSHING No. 2054 (x1)
- BUSHING METAL STRAIN RELIEF (x2)
- MOLDED CANOPY PWR (x1)



WARNING: Hold on to excess bushings and crimps until fixture installation is completed.

TOOLS REQUIRED: Phillips screwdriver, Flat-head screwdriver, #2 Robertson screwdriver (optional), TL-CUTTER-AS (cable cutter), Hole saw, Pliers, Loctite 414

! ATTENTION: Install in accordance with local and national building and electrical codes.



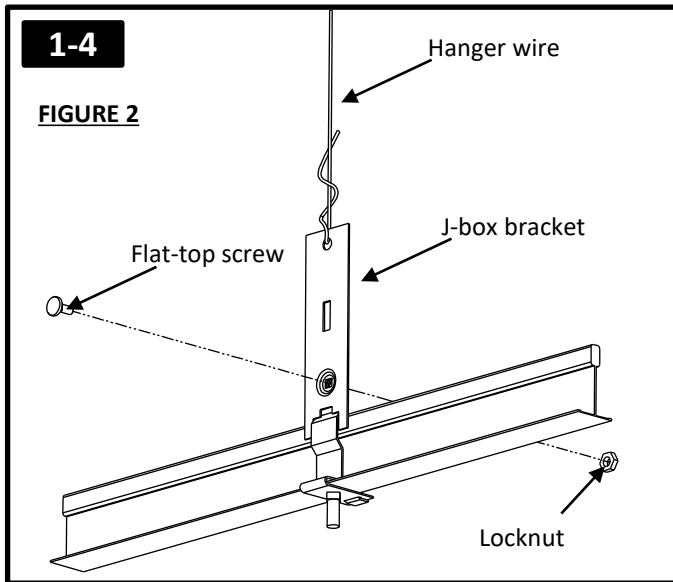
ATTENTION: Refer to associated installation instruction to complete installation (e.g, leveling, joining, powered and non-powered mounts.)

This mounting system is available for 1", 9/16", or 9/16" x 5/16" screw -slot t-bar grid systems.

IMPORTANT: Mounting system will support a **MAXIMUM 65lbs LOAD.**

1. Remove ceiling tiles at mount location.
2. Disassemble T-bar clip and lock into place around T-bar.
3. Secure T-bar clip to structure above using an approved hanger wire.
4. Slide the canopy overtop the T-bar clip bolt, then thread the aircraft cable and adapter onto the bolt. Fully tighten the cable adapter.
5. Replace ceiling tiles.

! **ATTENTION:** Install in accordance with local and national building and electrical codes.

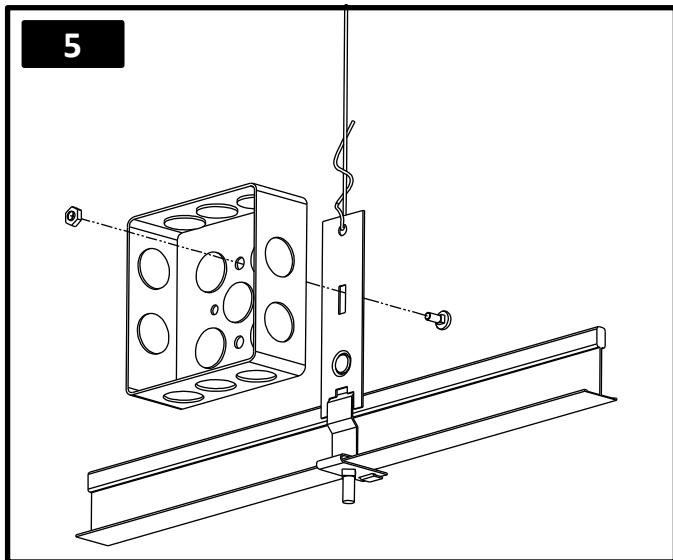


ATTENTION: Refer to associated installation instruction to complete installation (e.g, leveling, joining, powered and non-powered mounts.)

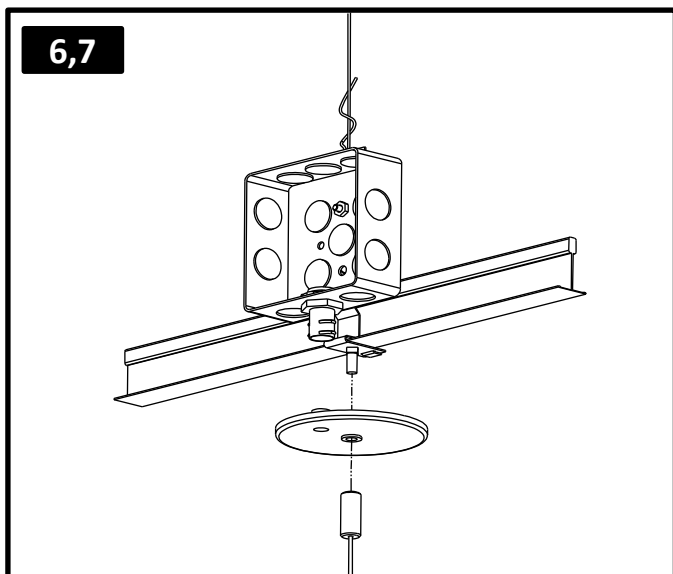
This mounting system is available for 1", 9/16", or 9/16" x 5/16" screw –slot t-bar grid systems.

IMPORTANT: Mounting system will support a MAXIMUM 65lbs LOAD.

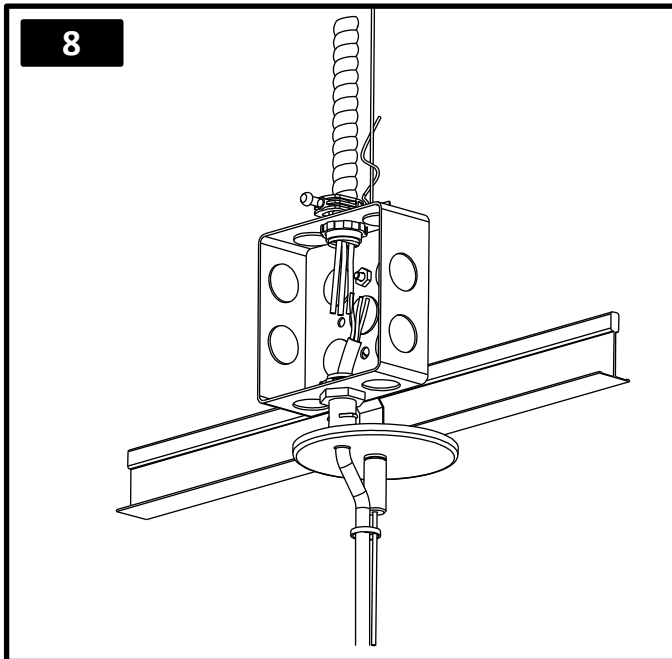
Note: Power mount requires use of a 4" square electrical junction box (contractor supplied).



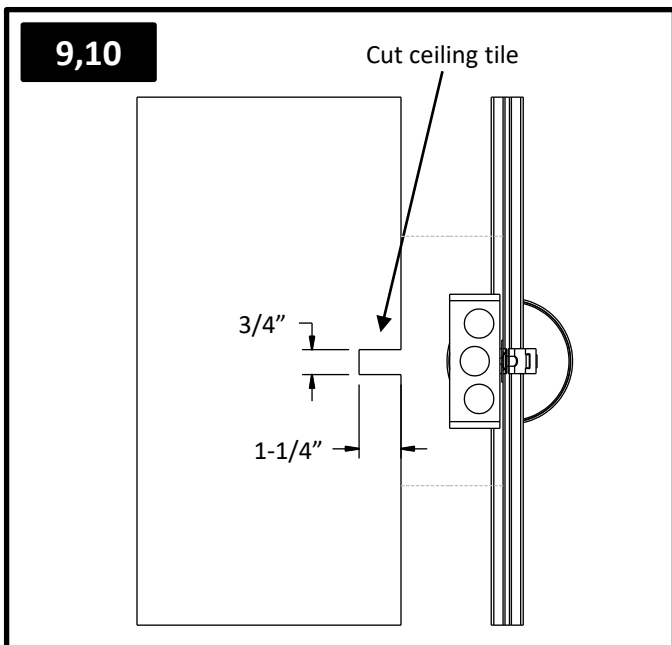
1. Remove ceiling tiles at mount location.
2. Disassemble T-bar clip and lock into place around T-bar.
3. Secure junction box bracket to T-bar clip using flat-top screw and locknut.
4. Attach an approved hanger wire from structure above to junction box bracket.
5. Attach junction box to bracket using flat-top screw and locknut. Junction box should be oriented with three knockouts facing down.
6. Attach flex-conduit connector to center knockout in bottom of junction box.
7. Slide canopy over the T-bar clip bolt, then thread the aircraft cable and adapter onto the bolt. Fully tighten the cable adapter.



! **ATTENTION:** Install in accordance with local and national building and electrical codes.



8. Install power cord, make required electrical connections, and install junction box cover.
9. Notch ceiling tile to clear the flex-conduit connector.
10. Replace ceiling tiles.



! ATTENTION: Install in accordance with local and national building and electrical codes.



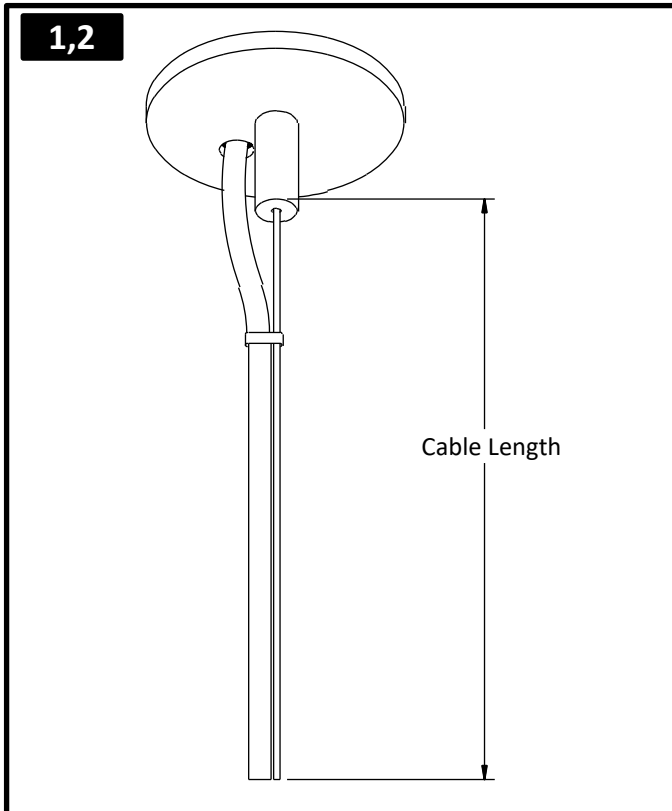
Single - Point Mounts:

- S1** Non-accessible ceiling, 0°- 15° Slope Mount
- S3** Non-accessible ceiling, 0°- 90° Slope Mount
- S2** T-grid Fixed Position Mount
- S5** T-grid 24" Span Mount (non tegular tile only)
- S6-1** T-grid On-grid Mount 15/16" (non tegular tile only)
- S6-2** T-grid On-grid Mount 9/16" (non tegular tile only)
- S6-3** T-grid On-grid Mount 9/16" x 5/16" (slot tee and tegular tile)

IMPORTANT:

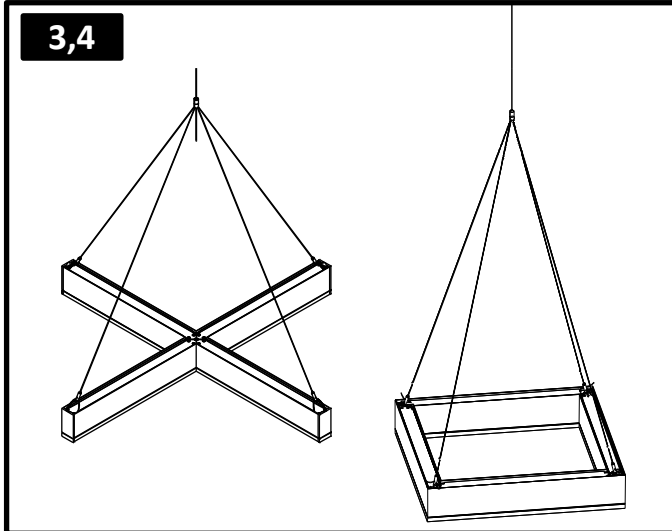
- Read all instructions **before** beginning installation.
- To cut cable, **follow these requirements**:
 - ❖ Tools: Griplock TL-CUTTER-AS, Loctite 414 (superglue)
 - ❖ Cutting: **Minimum of 1" excess cable is required** from the gripper exit.
 - ❖ Finishing: Add a drop of superglue at the end of cut cable to prevent fraying.

PLEASE RETAIN PACKAGE FOR FUTURE REFERENCE



ATTENTION: Refer to associated installation instruction to complete installation (e.g, leveling, joining, powered and non-powered mounts.)

1. Select a mounting type from “Aircraft Cable Mounts” section.
2. Factory cables available in nominal lengths of **24”, 48”, 96”, 144”, 192” or 240”**. All luminaires are pre-wired to module ends or a particular corner (for closed shapes).
3. Follow installation steps of the selected “Aircraft cable mount”, to install one vertical suspension cable with power(s).
4. Follow steps 1 to 10 of “Closed shapes – Single Point Mount” to install closed shapes. Follow steps 1 to 18 of “Open shapes – Single Point Mount” to install open shapes.



! **ATTENTION: Install in accordance with local and national building and electrical codes.**

