

READ AND UNDERSTAND THESE INSTRUCTIONS BEFORE INSTALLING FIXTURE

This fixture is intended for installation in accordance with the National Electrical Code and local regulations. To assure full compliance with local codes and regulations, check with your local electrical inspector before installation. To prevent electrical shock, turn off electricity at fuse box before proceeding.

Retain these instructions for maintenance reference.

INSTRUCTION SHEET NO.

IS:1920LV

Page 1 of 2

INSTALLATION PROCEDURE OF LYTECASTER LOW VOLTAGE 1920LV CONVERSION KIT IN 1000IC, 1000AICM, 1000ICM, 1002P1, 1003P1, 1900P1 FRAME-IN KITS WITH 1000LV series REFLECTOR TRIMS

WARNING: THIS CONVERSION KIT CAN ONLY CONVERT A 120V INCANDESCENT FRAME-IN KIT INTO A LOW VOLTAGE FRAME-IN KIT. BEFORE PROCEEDING WITH THE INSTALLATION, IT IS IMPORTANT TO READ THE MARKINGS ON THE SOCKET CUP OF THE EXISTING FRAME-IN KIT TO DETERMINE THE FRAME-IN KIT CATALOG NUMBER. IF I.C. TYPE FRAME-IN KIT IS USED, IT MAY BE INSTALLED IN DIRECT CONTACT WITH INSULATED CEILINGS. IF A NON-I.C. TYPE FRAME-IN KIT IS USED, DO NOT INSTALL INSULATION WITHIN 3 INCHES OF FIXTURE SIDES, CONVERSION, KIT AND WIRING COMPARTMENT, NOR ABOVE FIXTURE IN SUCH A MANNER TO ENTRAP HEAT.

1. REMOVAL OF EXISTING REFLECTOR TRIM

- Make sure power is off.
- Remove lamp from existing REFLECTOR TRIM.
- Remove existing REFLECTOR TRIM by turning REFLECTOR TRIM counterclockwise while pulling downward.
- Detach FRAME-IN KIT SOCKET CUP from REFLECTOR TRIM by squeezing SOCKET CUP SPRINGS.

2. INSTALLATION OF CONVERSION KIT

WARNING: RISK OF FIRE. ADHERE PROPER (ATTACHED) WATTAGE LABEL OVER EXISTING WATTAGE LABEL IN REFLECTOR TRIM AFTER IDENTIFYING THE FRAME-IN KIT: FOR 1000IC, 1000AICM, 1000ICM, 1001IC: USE 35W. MAX. LABEL. FOR 1002P1, 1003P1, 1900P1: USE 50W. MAX. LABEL.

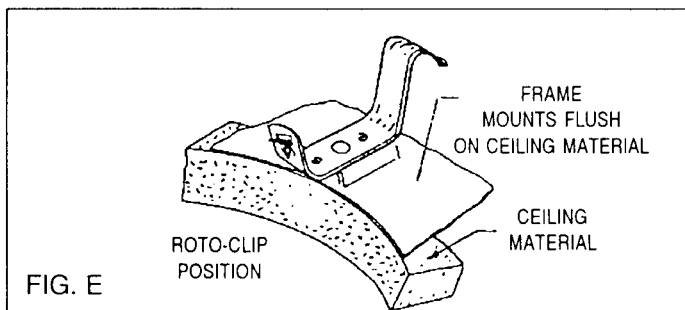
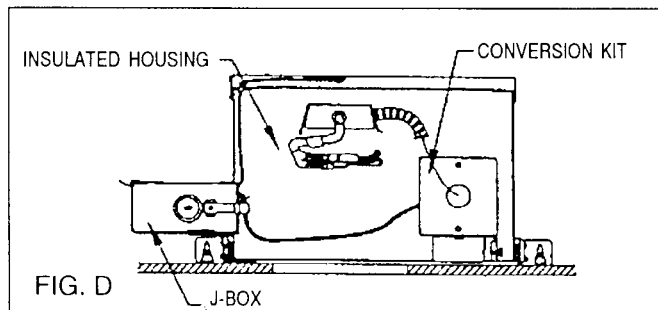
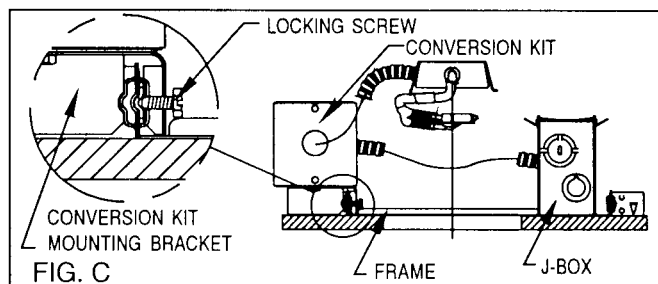
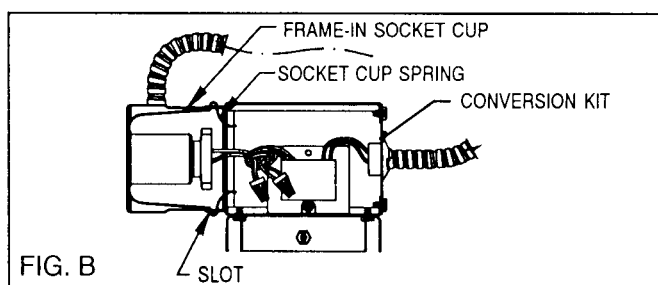
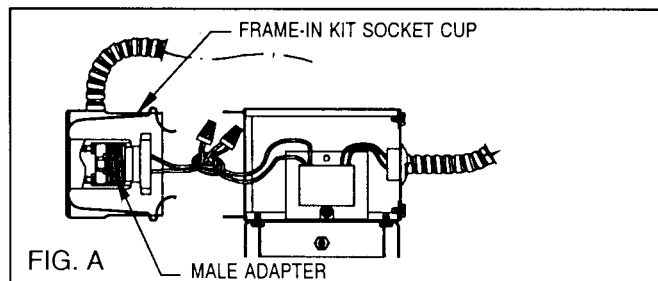
- Screw MALE ADAPTER of conversion kit into frame-in kit SOCKET CUP (Fig. A). **NOTE: Preturn male adaptor 3-4 times counterclockwise before screwing into socket cup so as not to stress wire connections.**
- Attach frame-in kit SOCKET CUP to conversion kit by inserting SOCKET CUP SPRINGS into SLOTS (Fig. B).
- For 1002P1, snap CONVERSION KIT MOUNTING BRACKET into FRAME SIDE (opposite of J-BOX) (Fig. C). To secure CONVERSION KIT tighten LOCKING SCREW (Fig. C); For 1000IC & 1000ICM, place CONVERSION KIT into INSULATED HOUSING opposite J-BOX (Fig. D); For 1003P1 & 1900P1, place CONVERSION KIT to the side of the MOUNTING RING opposite J-BOX.

3. ROTATE ROTO-CLIPS (Fig. E)

Rotate (4) ROTO-CLIPS so that the legs extend inwardly as shown toward the center opening.

- SNAP-IN
 - PUSH-UP
- } SEE SEPARATE REFLECTOR TRIM INSTRUCTION SHEETS.

SEE BACK PAGE FOR LAMP INSTALLATION AND TRANSFORMER REPLACEMENT



PHILIPS LIGHTOLIER

Philips Lighting North America Corporation
200 Franklin Square Drive
Somerset, NJ 08873, USA
Phone: 855-486-2216

Philips Lighting Canada Ltd.
281 Hillmount Road
Markham ON, Canada L6C 2S3
Phone: 800-668-9008

LAMPING

NOTE: Socket manufacturers have suggested that socket may fail after 3 to 6 relampings. If this occurs socket can be replaced by disconnecting male connectors (attached to socket leads) from female connectors (attached to fixture leads) and replacing it with a new socket procured through Lightolier (Fig. F).

- Make sure that power is OFF when lamping or relamping. Remove LAMP RING from socket cup by pulling straight down.
- Insert LAMP (MR16) between LAMP SPRINGS until face of lamp sits firmly on GLASS LAMP GUARD (Fig. G).
- Attach SOCKET to bi-pin prongs on LAMP.
- Insert LAMP RING with LAMP and GLASS LAMP GUARD back into SOCKET CUP.

WARNING: LAMP MANUFACTURERS REQUIRE THE GLASS LAMP GUARD BE IN PLACE BEFORE ENERGIZING LAMP, AND THAT GREAT CARE MUST BE TAKEN THAT LAMP IS FULLY COOLED BEFORE RELAMPING. AVOID FINGER MARKS ON INSIDE OF LAMP FOR THEY MAY CAUSE SHORT LAMP LIFE AND POSSIBLE BREAKAGE.

NOTE: 1. LOW VOLTAGE FIXTURES should be dimmed only with special dimmers intended specifically for that purpose. Use Lightolier Lytemode, Scenist, Crescendo VA, Neptune VA, Precision VA, Easyset VA, Sunrise VA, Radiant VA or equivalent products by others or variable autotransformers or electronic dimmers intended for use with low voltage fixtures. 2. Low voltage fixtures may produce audible sound when used with dimmers, which may be objectionable in acoustically critical areas.

TRANSFORMER REPLACEMENT (Fig. H)

- Make sure power is off.
- Remove REFLECTOR TRIM from ceiling.
- Pull CONVERSION KIT through the ceiling.
NOTE: For 1102P1, loosen LOCKING SCREW (Fig. C)
- Detach frame-in kit SOCKET CUP and unscrew MALE ADAPTER from CONVERSION KIT.
- Unscrew CONVERSION KIT SCREWS and pull U-BRACKETS apart.
- Unscrew TRANSFORMER SCREWS and remove TRANSFORMER.
- Unsplice MALE ADAPTER from TRANSFORMER.
- Cut secondary (red) leads 6" to 8" from transformer and discard faulty transformer.
- Re-assemble new transformer to U-BRACKET; splice secondary (red) leads to socket leads. Tie a knot with these leads to avoid strain on splices.
- Re-splice male adapter leads to primary leads of the TRANSFORMER. Tie a knot with these leads to avoid strain on splices.
- Reassemble "U-brackets" and secure with "conversion kit screws."
- Re-install CONVERSION KIT by following instruction of section 2 through 5 of this INSTRUCTION.

WARNING: USE ONLY WITH FRAME-IN KITS PROVIDED BY LIGHTOLIER INC. USE OF OTHER MANUFACTURER'S FRAME-IN KITS VOIDS THE UNDERWRITERS LABORATORIES LISTING AND COULD CONSTITUTE A FIRE HAZARD.

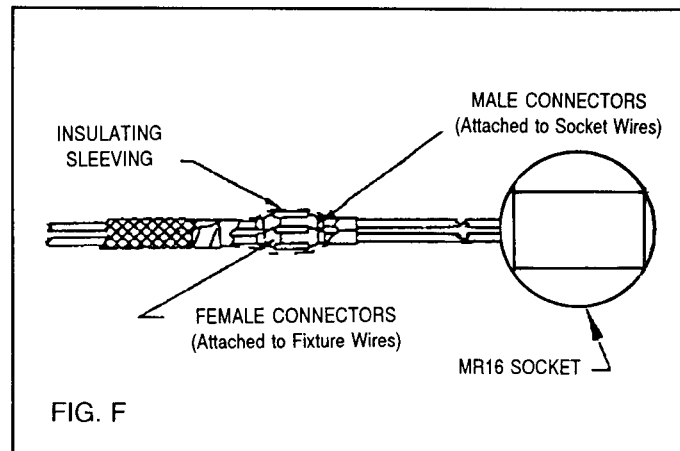


FIG. F

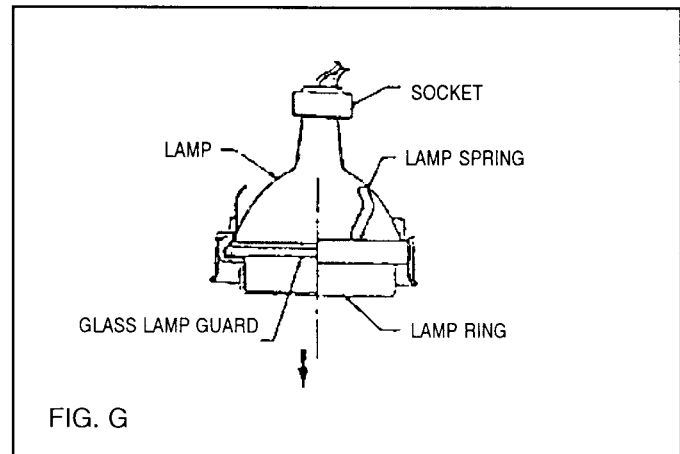


FIG. G

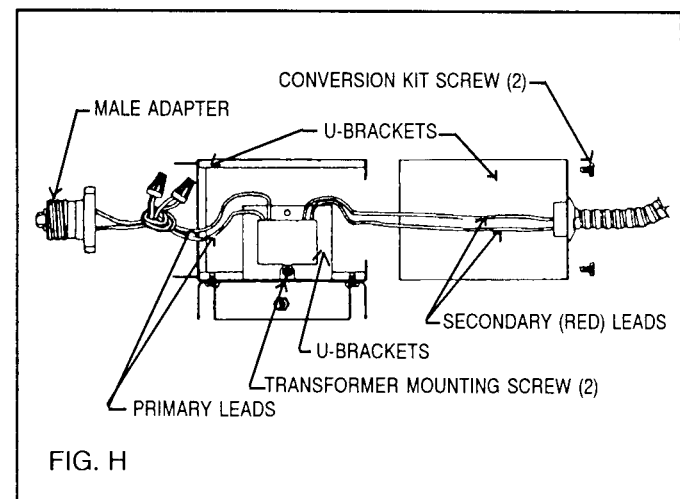


FIG. H