

**READ AND UNDERSTAND THESE INSTRUCTIONS BEFORE INSTALLING FIXTURE**  
This fixture is intended for installation in accordance with the National Electrical Code and local regulations. To assure full compliance with local codes and regulations, check with your local electrical inspector before installation. To prevent electrical shock, turn off electricity at fuse box before proceeding.  
**Retain these instructions for maintenance reference.**

INSTRUCTION SHEET NO.  
**IS:6020**  
R1292

## **INSTALLATION INSTRUCTIONS**

### **FOR BASIC LYTESPAN® TRACK LIGHTING INDIVIDUAL AND JOINER TRACK UNITS**

Basic Lytespan track lighting is designed to support and energize Lytespots® which can be attached anywhere along the track. It is a 2-conductor system, polarized and continuously grounded throughout, to be supplied by a single 120V, 60 Hz, 20 amp, branch circuit. It may be used with electrical fittings identified for use with Basic Lytespan Track. It is not intended for use with a power cord or a convenience receptacle adaptor. It is not intended to be pendant mounted by flexible cable. Basic Lytespan is listed by Underwriters Laboratories, Inc.

## **IMPORTANT SAFETY INSTRUCTIONS**

**WHEN INSTALLING OR USING THIS TRACK SYSTEM, BASIC SAFETY PRECAUTIONS SHOULD ALWAYS BE FOLLOWED, INCLUDING THE FOLLOWING:**

- **READ ALL INSTRUCTIONS**
- **THIS TRACK SYSTEM IS INTENDED FOR INSTALLATION IN ACCORDANCE WITH THE NATIONAL ELECTRICAL CODE AND LOCAL OR FEDERAL CODE SPECIFICATIONS.**
- **DO NOT INSTALL THIS TRACK IN WET OR DAMP LOCATIONS.**
- **DO NOT INSTALL ANY PART OF THE TRACK SYSTEM LESS THAN 5 FEET ABOVE THE FLOOR.**
- **DO NOT INSTALL ANY FIXTURE ASSEMBLY CLOSER THAN 6 INCHES FROM ANY CURTAIN, OR SIMILAR COMBUSTIBLE MATERIAL.**
- **TO PREVENT ELECTRICAL SHOCK, TURN OFF ELECTRICITY AT FUSE BOX BEFORE INSTALLING THE TRACK OR ADDING TO OR CHANGING THE CONFIGURATION OF THE TRACK.**
- **INSTRUCTIONS FOR GROUNDING PER INSTRUCTION SHEET OF THE FEED-IN KIT USED MUST BE FOLLOWED. FAILURE TO DO SO MAY RESULT IN A HAZARDOUS CONDITION.**
- **USE #12 OR 14 GA. AWG SOLID WIRE ONLY (NOT STRANDED WIRE) FOR SUPPLY TO TRACK.**
- **OBSERVE POLARITY, (NEUTRAL) WHITE SUPPLY LEAD TO CONTACT MARKED "NEUT" IN LIVE END.**
- **DO NOT ATTEMPT TO ENERGIZE ANYTHING OTHER THAN TRACK LIGHTING FIXTURES ON THE TRACK. TO REDUCE THE RISK OF FIRE AND ELECTRICAL SHOCK, DO NOT ATTEMPT TO CONNECT POWER TOOLS, EXTENSION CORDS, APPLIANCES AND THE LIKE TO THE TRACK.**

## **SAVE THESE INSTRUCTIONS**

Signify North America Corporation  
200 Franklin Square Drive  
Somerset, NJ 08873, USA  
Phone: 855-486-2216

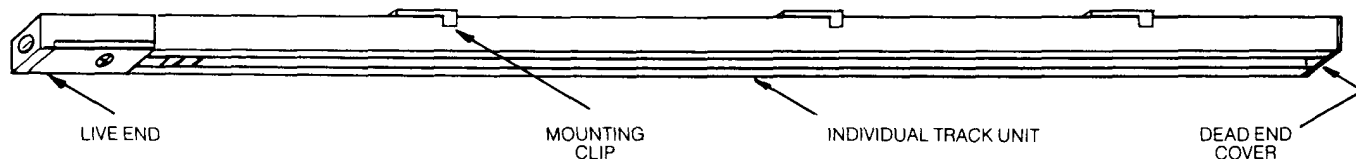
Signify Canada Ltd./ Signify Canada Ltée  
281 Hillmount Road  
Markham ON, Canada L6C 2S3  
Phone: 800-668-9008

www.lightolier.com

IS: 6020 Jan.2019 page 1 of 4

**LIGHTOLIER**

by  Signify



Install Power Feed-in Kit before installing the track.

For invisible power feed to the LIVE END see instruction E.

**IMPORTANT:** The TRACK BEAD (Fig. 2) identifies the neutral conductor in the track. When installing track patterns and straight runs, the TRACK BEADS must be in-line for proper installations (Fig. 8).

### A. MOUNTING TRACK TO CEILING WITH MOUNTING CLIPS OR STEMS

1. Mark CENTERLINE for track location with chalk line or string.
2. Fasten MOUNTING CLIPS along CENTERLINE with TOGGLE BOLTS (supplied) or other suitable hardware. Use 2 clips for a 2' or 4' track, 3 for an 8' and 12' track. Do not exceed 4' between clips.
3. If using stem mounting kits to mount the track, use 2 stems for 2' or 4' track, 3 for an 8' and 12' track. Do not exceed 4' between stems (See instruction sheet provided with stem mounting kit for installation details).
4. Unscrew BOTTOM COVER from LIVE END.
5. Pass supply leads into LIVE END as shown on instruction sheet with Power Feed-in Kit.
6. Attach track to MOUNTING CLIPS by rotating the clip into the track (see Fig. 3).
7. Strip and form supply leads to fit in LIVE END. Fasten leads to SCREW TERMINALS: GROUND LEAD to GREEN GROUND SCREW, NEUTRAL LEAD to terminal marked NEUT and "HOT" 120V. LEAD to remaining terminal, (see Fig. 2).
8. Fasten BOTTOM COVER to LIVE END.

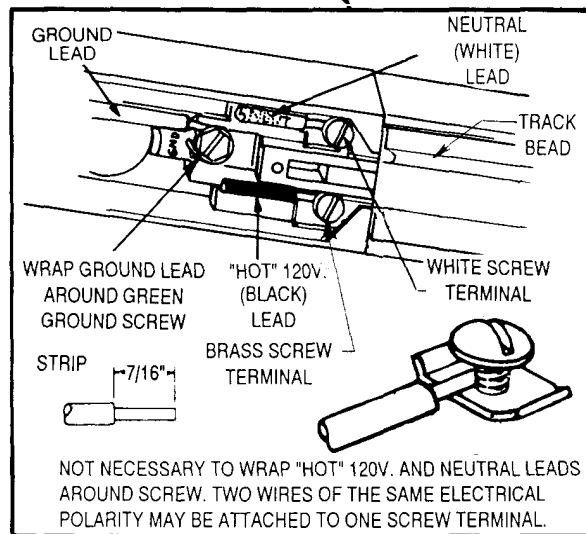
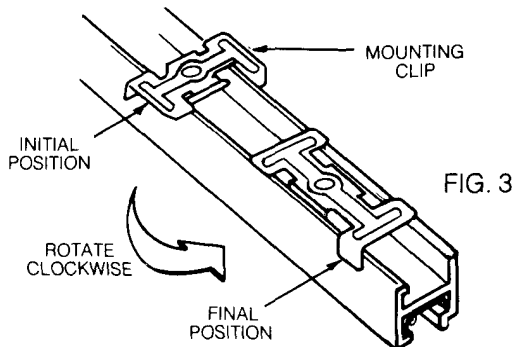
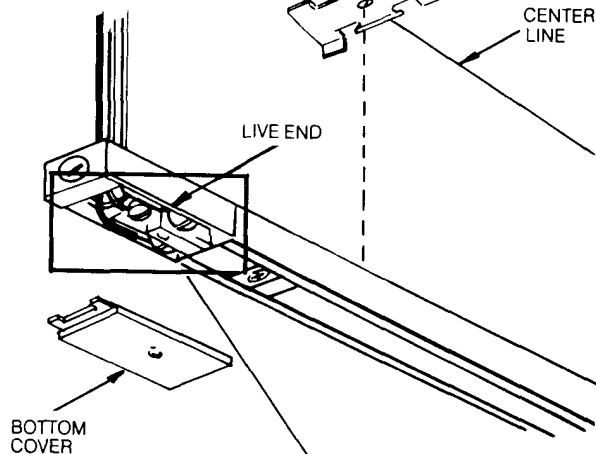
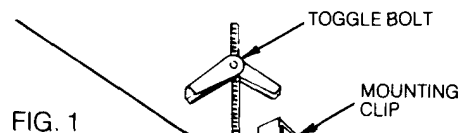
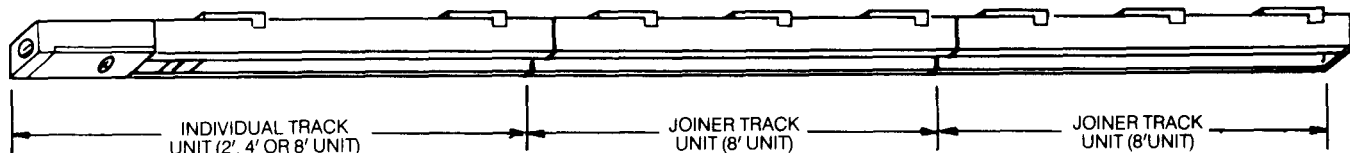


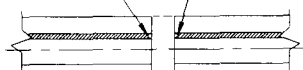
FIG. 2 LIVE END DETAIL



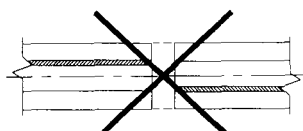
**B. STRAIGHT CONTINUOUS RUN OF TRACK UNITS**

1. Extend CENTERLINE to length of additional track(s) and fasten additional MOUNTING CLIPS required, (see instruction A-2). Do not exceed 4' between MOUNTING CLIPS.
2. Remove DEAD END COVER from INDIVIDUAL TRACK UNIT.
3. Plug COUPLER of JOINER TRACK UNIT into INDIVIDUAL TRACK UNIT.
4. Rotate MOUNTING CLIPS into track to secure track to ceiling (see Fig. 3).
5. Tighten (2) COUPLER SCREWS.
6. Install additional JOINER TRACK UNITS in the same manner.
7. Insert DEAD END COVER into end of last JOINER TRACK UNIT in run.

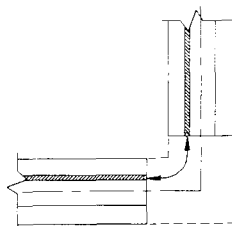
TRACK BEAD TRACK BEAD



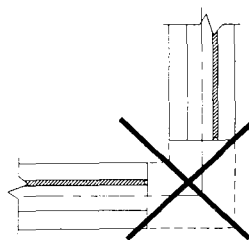
O.K. TRACK BEADS IN LINE



NO! TRACK BEADS NOT IN-LINE



O.K. TRACK BEADS IN LINE



NO! TRACK BEADS NOT IN-LINE

FIG. 8

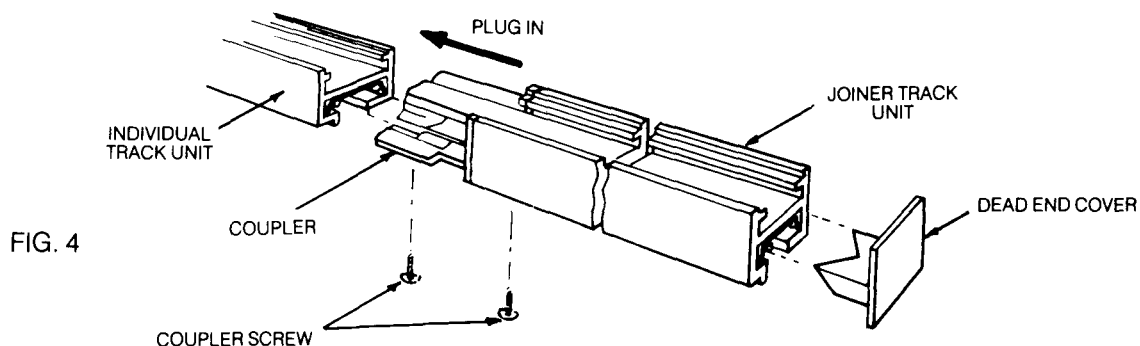


FIG. 4

**C. FIELD CUTTING TRACK**

Track may be cut at the end of a single track unit or at the end of a run of track units.

1. Remove DEAD END COVER.
2. Cut track with hacksaw (preferably in a miter box to insure a square cut). Remove burrs with a file. If the track conductors come out of the liner, push them back into the liner using a screwdriver.
3. Insert DEAD END COVER into the cut track.

Additional track and IN-LINE, L, T, X or VARIABLE ANGLE CONNECTORS may be attached to a cut track.

4. If an electrical connector is being installed into the cut section of track; open the gap of both copper conductors to 1/32" gap. Don't open the gap more than 3/16" from the cut edge of the track.

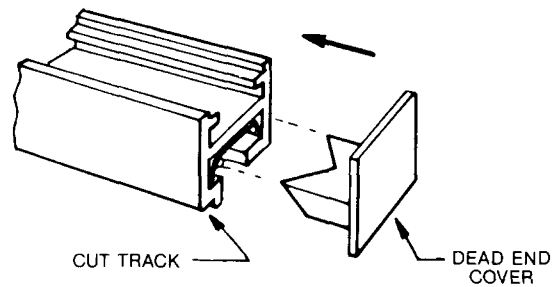
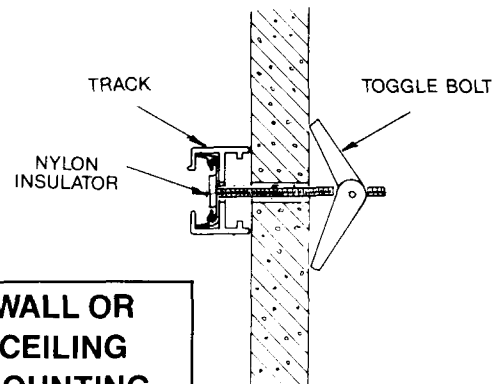


FIG. 5

**D. MOUNTING TRACK DIRECTLY TO A WALL OR CEILING**

TRACK may be mounted directly to a surface through existing holes in the TRACK (Fig. 6).



**WALL OR  
CEILING  
MOUNTING**

FIG. 6

**CAUTION: NYLON INSULATORS ARE REQUIRED TO ISOLATE THE SCREWS FROM THE TRACK CONDUCTORS.**

**CAUTION: WHEN WALL MOUNTING TRACK DO NOT USE MOUNTING CLIPS; MOUNT TRACK DIRECTLY TO SURFACE AS SHOWN (FIG. 6).**

**E. INVISIBLE POWER FEED TO LIVE END**

1. Remove KNOCK-OUT from LIVE END.
2. Remove BOTTOM COVER from LIVE END.
3. Thread 3/8" BX CONNECTOR into LIVE END. Orient the screw of the BX CONNECTOR so it lies within the width of the LIVE END. The NUT can be rotated by using a screwdriver to assist in orienting the BX connector.
 

**NOTE:** Special care must be taken when making the hole in the mounting surface to prevent the hole from being visible when the track is mounted. If a ROMEX connector is being used the screws on the connector may have to be cut to conceal the mounting hole.
4. Pass leads through BX CONNECTOR and LIVE END and secure conduit to BX CONNECTOR.
5. Follow instructions #5, #6 and #7 in Section A.

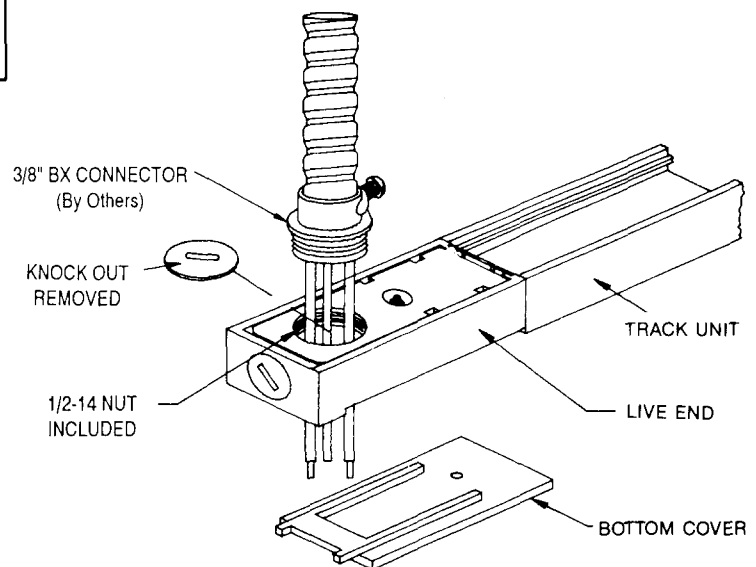


FIG. 7