

READ AND UNDERSTAND THESE INSTRUCTIONS BEFORE INSTALLING FIXTURE

This fixture is intended for installation in accordance with the National Electrical Code and local regulations. To assure full compliance with local codes and regulations, check with your local electrical inspector before installation. To prevent electrical shock, turn off electricity at fuse box before proceeding.

Retain these instructions for maintenance reference.

INSTRUCTION SHEET NO.

IS:6074

R0193 Page 1 of 2

INSTALLATION FOR ATTACHING EXTENSION WAND TO LYTESPAN TRACK FOR USE WITH LYTESPAN® TRACK SYSTEMS ONLY

Lytespot extension wand can be mounted on any Basic, Advent, Multipoint or Monopoint Track. It is intended for insulation on level ceilings only. Do not mount on slope ceilings or walls unless when used with extension wand sloped ceiling adapter (6079WH, BK) ordered separately. Will fit Lytespot fixtures with Squat Adaptors, Low Voltage Adaptors and Standard "T" Adaptors. NOTE: Do not exert sideward pressure on fixture.

NOTE: This Extension Wand is equipped with a flex joint to prevent damage by accidental impact. Heavy asymmetric lighting equipment should NOT BE used on this device.

1. Grasp FITTING at top of EXTENSION WAND and insert it into the LYTESPAN TRACK. The LOCKING LEVER must be on the same side of the track as the BEAD. (See Fig. 1.)
2. Rotate the top FITTING 90° clockwise, (See Fig. 2), until LOCKING LEVER snaps and locks in place. (See Fig. 3.) Do not rotate wand from STEM or BOTTOM HOUSING.
3. To Remove: Depress LOCKING LEVER; then rotate TOP FITTING 90° counter-clockwise. Do not rotate wand from STEM or BOTTOM HOUSING.

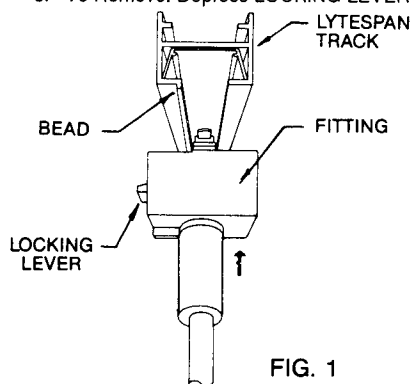


FIG. 1

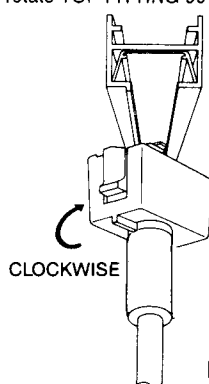


FIG. 2

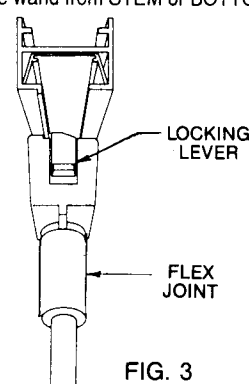


FIG. 3

INSTRUCTIONS FOR CONVERTING FITTING TO OPERATE ON 2 CIRCUIT TRACK SYSTEMS

See Fig. 4. BRASS CONTACT can be raised or lowered. Broken line indicates position for 1 circuit track or lower circuit of 2 circuit track system.

To convert attachment FITTING for upper circuit of 2 circuit track, raise BRASS CONTACT to high position by lifting CONTACT as high as stop permits and CONTACT clicks into place.

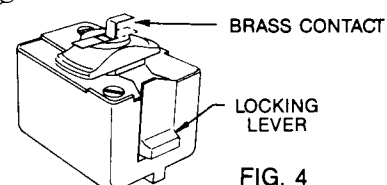


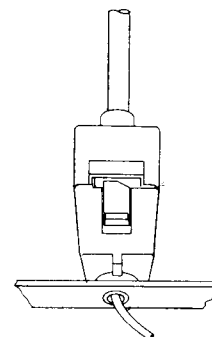
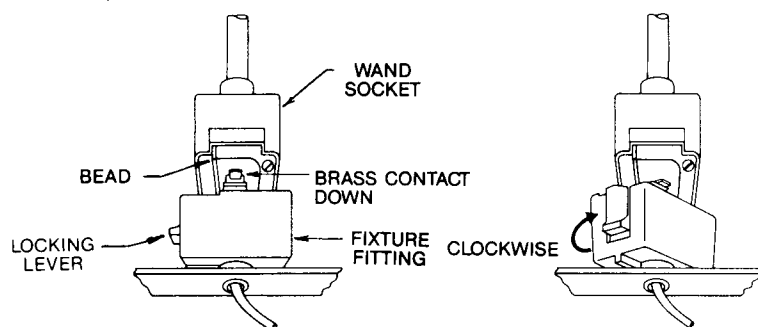
FIG. 4

INSTRUCTIONS FOR ATTACHING LYTESPOT® FIXTURES USING SQUAT ADAPTER TO BOTTOM OF LYTESPAN® WAND

1. Insert the FIXTURE FITTING into the WAND SOCKET.

The LOCKING LEVER must start on the same side as the bead located at the bottom of the wand (See Fig. 5.) Rotate the FIXTURE FITTING 90° clockwise until LOCKING LEVER snaps and lock into place. (See Fig. 5, 6, & 7).

2. To remove, depress LOCKING LEVER and rotate FITTING 90° counterclockwise.



CAUTION: SUPPORT THE LOWER WAND HOUSING WHENEVER MANIPULATING THE FIXTURE.

LIGHTOLIER® SECAUCUS, NEW JERSEY 07096
MONTREAL, QUEBEC, CANADA

INSTALLATION FOR ATTACHING EXTENSION WAND TO LYTESPAN TRACK FOR USE WITH LYTESPAN® TRACK SYSTEMS ONLY (Cont'd)

INSTRUCTIONS FOR ATTACHING LOW VOLTAGE LYTESPOT® TO LYTESPAN® WAND

1. Insert the FIXTURE FITTING into the WAND SOCKET.

The LOCKING LEVER must start on the same side as the bead located at the bottom of the WAND SOCKET (See Fig. 8.) Rotate the FIXTURE FITTING 90° clockwise. (See Fig. 8, 9, & 10).

2. To remove, rotate FITTING 90° counterclockwise.

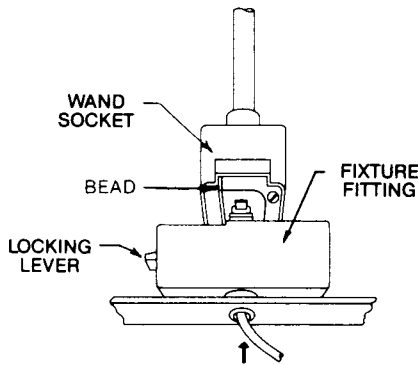


FIG. 8

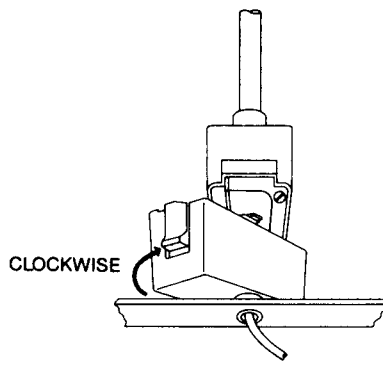


FIG. 9

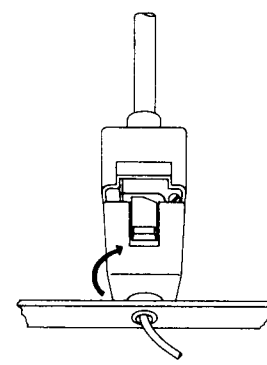


FIG. 10

INSTRUCTIONS FOR ATTACHING LYTESPOT® WITH "T" ADAPTOR TO LYTESPAN® WAND

1. Align BEAD on WAND SOCKET with GROOVE in FITTING before inserting into WAND SOCKET, see Fig. 11. (BEAD is NOT aligned a potential hazard may result.)
2. Position LEVER as shown in Fig. 11.
3. Insert FITTING into WAND SOCKET. Turn LEVER 90° to make mechanical and electrical connection. See Fig. 12.
4. To remove: reverse procedure.

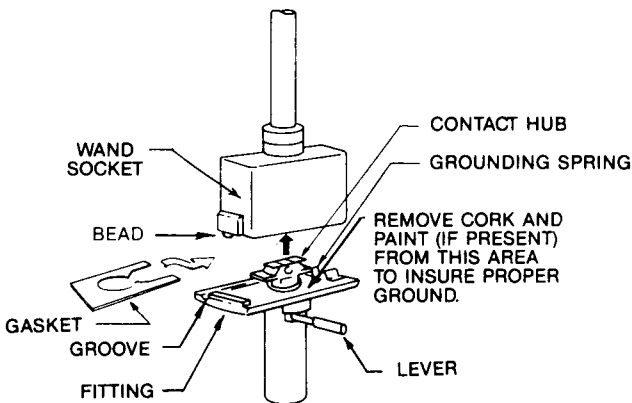


FIG. 11

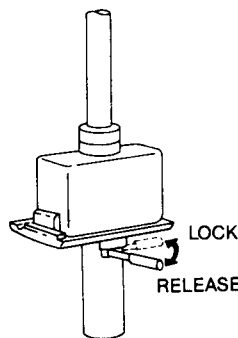


FIG. 12

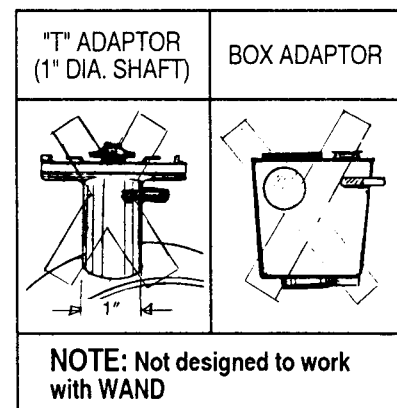


FIG. 13

NOTE: If "T" ADAPTOR has a full gasket on top, remove 1/2" strip of cork between contact hub and grounding spring. If there is no gasket, and a tighter fit to the WAND is desired, remove backing from enclosed GASKET. When centered on FITTING apply pressure on GASKET to secure it.