

READ AND UNDERSTAND ALL TRACK, CONNECTOR, FEED-IN-KITS, AND ACCESSORY INSTRUCTION SHEETS BEFORE INSTALLING ANY TRACK ITEM

This fixture is intended for installation in accordance with the National Electrical Code and local or Federal regulations. To assure full compliance with codes and regulations, check with your local electrical inspector before installation. To prevent electrical shock, turn off electricity at fuse box before proceeding.

Retain these instructions for maintenance reference.

INSTRUCTION SHEET NO.

IS:6096N

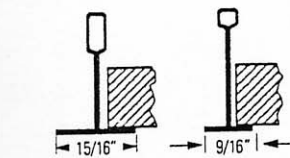
Page 1 of 2

**GRID CEILING CANOPY KIT
FOR USE WITH BASIC OR ADVENT LYTESPAN® TRACK SYSTEMS ONLY**

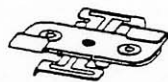
CEILING & CEILING PANEL TYPE

T-BAR MOUNTING CLIP

INSTRUCTION



USE

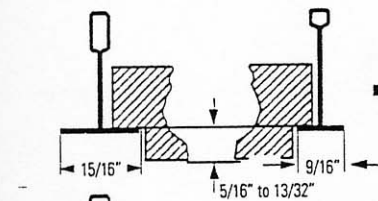


(ORDER SEPARATELY)
6089

USE

CANOPY SPACER,
CROSS BAR, &
CANOPY

A

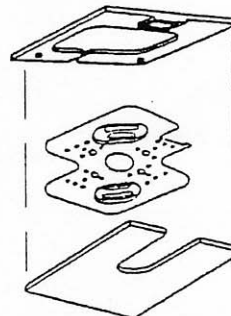


USE

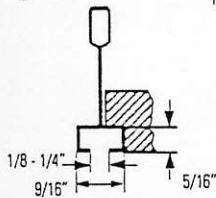


(ORDER SEPARATELY)
6087

USE



B



USE



(ORDER SEPARATELY)
6088

USE

(SUPPLIED)

C

CAUTION:

- TURN OFF POWER AT FUSE BOX BEFORE INSTALLING TRACK.
- SUPPLY ADVENT FROM A SINGLE PHASE, 20 AMP, 120/240 (3-WIRE) BRANCH CIRCUIT. DO NOT SUPPLY ADVENT TRACK FROM TWO SEPARATE 120V BRANCH CIRCUITS AS THIS COULD OVERLOAD THE NEUTRAL TRACK CONDUCTOR LEADING TO AN ELECTRICAL SAFETY HAZARD.
- DO NOT MAKE ELECTRICAL SPLICES IN OUTLET BOX OF GRID CEILING CANOPY KIT.
- USE SOLID 12 AWG WIRES FOR SUPPLY TO TRACK (NOT STRANDED).
- INSTRUCTIONS FOR GROUNDING MUST BE FOLLOWED. FAILURE TO DO SO MAY RESULT IN AN ELECTRICAL HAZARD.

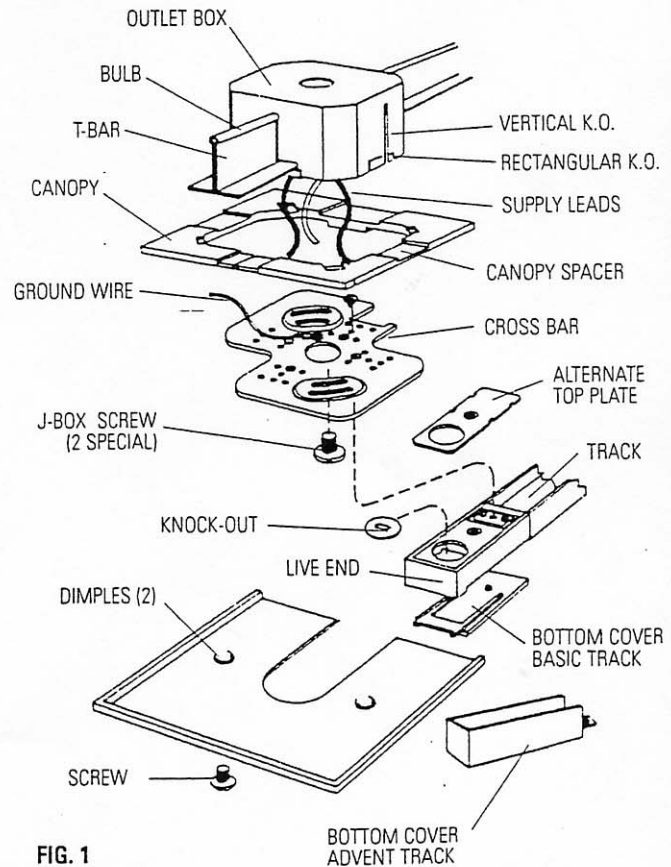


FIG. 1

A. INSTRUCTIONS

1. Remove appropriate VERTICAL K.O.'s for T-BAR from OUTLET BOX. DO NOT REMOVE ANY RECTANGULAR K.O.'S. (Fig. 1)
2. Attach a bare or green color insulated 12 AWG solid copper GROUND WIRE approximately 8" long to the OUTLET BOX using the GROUND CLIP (supplied). Position CLIP as shown in Fig. 2. Bend wire so unattached end is pointing away from the OUTLET BOX. (Fig. 3).
3. Remove K.O. from top of OUTLET BOX and fasten an ELECTRICAL CONNECTOR (by others).
4. Place OUTLET BOX on T-BAR(S). If OUTLET BOX does not fit over the BULB of the T-BAR(S), flatten the BULB with a pair of pliers.
5. Pass SUPPLY LEADS through ELECTRICAL CONNECTOR leaving approximately 8" of wire beyond the BOX.

**PHILIPS
LIGHTOLIER**

Philips Lighting North America Corporation
200 Franklin Square Drive
Somerset, NJ 08873, USA
Phone: 855-486-2216

Philips Lighting Canada Ltd.
281 Hillmount Road
Markham ON, Canada L6C 2S3
Phone: 800-668-9008

READ AND UNDERSTAND ALL TRACK, CONNECTOR, FEED-IN-KITS, AND ACCESSORY INSTRUCTION SHEETS BEFORE INSTALLING ANY TRACK ITEM

This fixture is intended for installation in accordance with the National Electrical Code and local or Federal regulations. To assure full compliance with codes and regulations, check with your local electrical inspector before installation. To prevent electrical shock, turn off electricity at fuse box before proceeding.

Retain these instructions for maintenance reference.

INSTRUCTION SHEET NO.

IS:6096N

Page 2 of 2

6. Fasten 12 AWG solid SUPPLY GROUND WIRE to OUTLET BOX using a GROUND CLIP (supplied). Position 180° from other GROUND CLIP. (Fig. 2)
7. Rotate T-BAR MOUNTING CLIPS onto the T-BAR. (Fig. 3) Use 2 T-BAR MOUNTING CLIPS for a 2' or 4' TRACK UNIT, 3 for an 8' TRACK UNIT. DO NOT EXCEED 4' BETWEEN MOUNTING CLIPS.
8. Remove BOTTOM COVER from LIVE END.
9. BASIC LIVE END, T, X, VARIABLE ANGLE and IN-LINE CONNECTORS: Remove KNOCK-OUT from top of CONNECTOR. For ADVENT LIVE END, T, X, VARIABLE ANGLE and IN-LINE CONNECTORS: Remove PLUG and NUT ASSEMBLY (see IS:6121) from top of CONNECTOR. For BASIC and ADVENT CONNECTORS: Remove HOLE PLUG (see IS:6065 or IS:6150) from top of CONNECTOR.
10. Mount CROSS BAR to LIVE END with SCREW. (Fig. 1) If TRACK contains ALTERNATE TOP PLATE, no SCREW is required.
11. Line up center hole of CROSS BAR with KNOCK-OUT HOLE in LIVE END. Connect GROUND WIRE to GROUNDING TERMINAL in J-BOX (Fig. 1). Pass SUPPLY LEADS from OUTLET BOX through CANOPY SPACER, CROSS BAR CENTER HOLE and KNOCK-OUT in LIVE END. Secure the TRACK by rotating the MOUNTING CLIP into the TRACK.
12. Secure the CROSS BAR to the J-BOX using the 2 SPECIAL SCREWS included. (Fig. 1)
13. Optional:
 - a. Drill two 5/32" diameter holes in CANOPY DIMPLES.
 - b. Slide the CANOPY between the CROSS BAR and LIVE END.
 - c. Secure with 2 MOUNTING SCREWS.
14. Wire LIVE END as shown in TRACK instructions sheet IS:6020 or IS:6121.
15. Fasten BOTTOM COVER onto LIVE END.

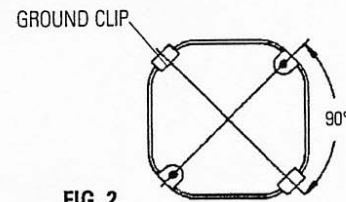


FIG. 2

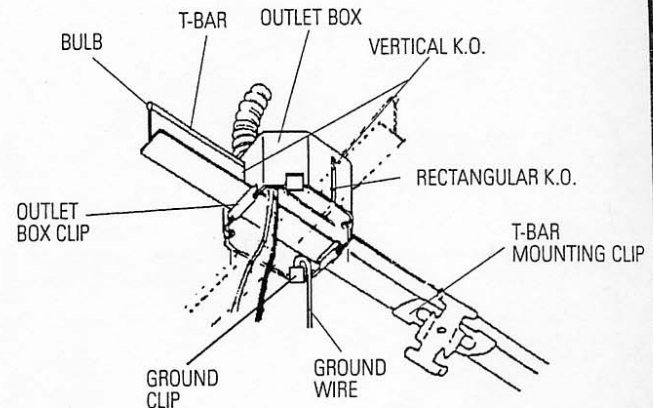


FIG. 3

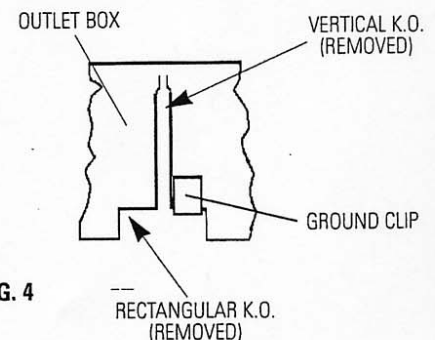


FIG. 4

B. INSTRUCTIONS

1. Remove appropriate VERTICAL and RECTANGULAR K.O.'s for T-BAR from OUTLET BOX.
2. Follow instructions 2 through 8 in **A. INSTRUCTIONS**.
3. Slide OUTLET BOX CLIPS onto OUTLET BOX. (Fig. 3)
4. Follow instructions 9 through 15 in **A. INSTRUCTIONS**.

C. INSTRUCTIONS

1. Remove appropriate VERTICAL and RECTANGULAR K.O.'s for T-BAR from OUTLET BOX.
2. Attach a bare or green color insulated 12 AWG solid copper GROUND WIRE approximately 8" to OUTLET BOX using GROUND CLIP (supplied). (Fig. 4). Bend unattached end of wire away from OUTLET BOX.
3. Follow instructions 3 through 5 in **A. INSTRUCTIONS**.
4. Assemble CLIPS to TRACK MOUNTING CLIPS to the T-BAR. TRACK MOUNTING CLIPS must rotate after assembly. (Fig. 5)
5. Use two T-BAR MOUNTING CLIPS for a 2' to 4' TRACK UNIT, 3 for an 8' TRACK UNIT, and 4 for a 12' TRACK UNIT. DO NOT EXCEED 4' BETWEEN T-BAR MOUNTING CLIPS. Use additional CLIPS for heavily loaded applications or for additional support.
6. Follow instructions 8 through 15 in **A. INSTRUCTIONS**.

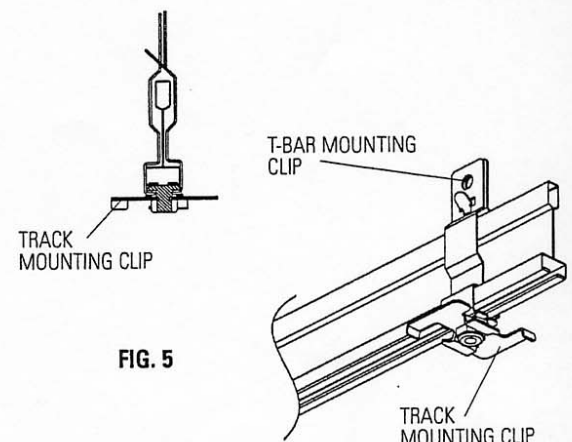


FIG. 5

**PHILIPS
LIGHTOLIER**

Philips Lighting North America Corporation
200 Franklin Square Drive
Somerset, NJ 08873, USA
Phone: 855-486-2216

Philips Lighting Canada Ltd.
281 Hillmount Road
Markham ON, Canada L6C 2S3
Phone: 800-668-9008