

INSTALLATION INSTRUCTIONS FOR ADVENT LYTESPAN® TRACK SYSTEM

READ AND UNDERSTAND THESE INSTRUCTIONS BEFORE PROCEEDING.

This track system is intended for installation in accordance with the National Electrical Code and local regulations. To assure full compliance with local codes and regulations, check with your local electrical inspector before installation. To prevent electrical shock, turn off electricity at fuse box before proceeding.

Retain these instructions for maintenance reference.

Advent Lytespan track lighting is designed to support and energize Lytespots which can be attached anywhere along the track. It is a (3 wire) system, rated 20 amps at 120 volts, 60 Hz per track circuit (40 amps total for the two track circuits) and is to be supplied by a 120/240 volts, 60 Hz, single phase, 3-wire branch circuit with a grounded neutral. The track is polarized and continuously grounded throughout. It may only be used with electrical fitting identified for use with Lightolier Lytespan Track. It is not intended for use with a power cord or convenience receptacle adaptor. It is not intended to be pendant mounted by flexible cable. Advent Lytespan is listed by Underwriters Laboratories Inc.

IMPORTANT SAFETY INSTRUCTIONS

When installing or using this track system, basic safety precautions should be followed:

- Read all instructions before installing the track system.
- This track system is intended for installation in accordance with the National Electrical Code and Local or Federal Codes.
- Do not install this track in wet or damp locations.
- Do not install any part of this track system less than 5 feet above floor.
- Do not install any fixture assembly closer than 6 inches from any curtain, or similar combustable material.
- To prevent electrical shock, turn off electricity at fuse box before installing the track or adding to or changing the configuration of the track.
- Instructions for grounding per instruction sheet of the feed-in kit used must be followed. Failure to do so may result in a hazardous condition.
- Use #12 or #14 GA. AWG solid wire only (not stranded wire) for supply to track.
- Observe polarity, white supply lead (neutral) to contact marked "NEUT" on screw terminal connectors.
- Do not connect the track to more than one branch circuit. Check with a qualified electrician. Although the track lighting system may seem to operate acceptably, a dangerous overload of the neutral may occur and result in a risk of fire.
- Do not attempt to energize anything other than track lighting fixtures on the track. To reduce the risk of fire and electrical shock, do not attempt to connect power tools, extension cords, appliances and the like to the track.

B0216

SAVE THESE INSTRUCTIONS

LIGHTOLIER

by  **signify**

www.lightolier.com

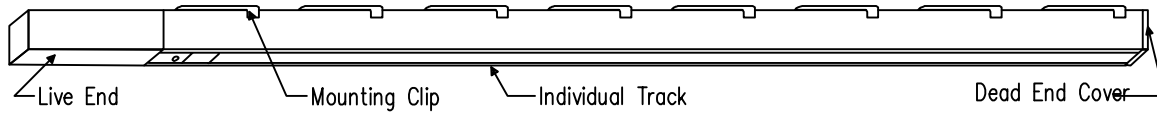
Signify North America Corporation
200 Franklin Square Drive
Somerset, NJ 08873, USA
Phone: 855-486-2216

Signify Canada Ltd./ Signify Canada Ltée
281 Hillmount Road
Markham ON, Canada L6C 2S3
Phone: 800-668-9008

C0119

LIGHTOLIER®

INSTALLATION INSTRUCTIONS FOR ADVENT LYTESPAN® TRACK SYSTEM



The Bead (Fig. 2) identifies the neutral conductor in the track. When installing track in patterns or straight runs, the Beads should be in line for proper installation (Fig. 9). Install Power Feed in Kit before installing the track.

A. MOUNTING TRACK TO CEILING WITH MOUNTING CLIPS

1. Mark centerline for track location with chalk or string.
2. Fasten Mounting Clips along Centerline with Toggle Bolts (supplied) or other suitable hardware. Use 2 clips for 4' track and 3 for 8' track. Do not exceed 4' between clips.
3. If using stem mounting kits to mount track, use 2 stems for 2' and 4' track, and 3 for 8' track. Do not exceed 4' between stems. (See instruction sheet provided with stem mounting kit for installation details.)
4. Unscrew bottom cover from Live End.
5. Pass supply leads into Live End (See instruction E, or instructions provided with Power Feed-in Kit).
6. Mount track to ceiling by rotating Mounting Clips into track (see Fig. 3).
7. Strip and form supply leads to fit in Live End. Fasten leads to Screw Terminals; Ground Lead to Green Ground Screw, Neutral (white) Lead to white terminal screw and "Hot" 120V (black or red) Leads to remaining terminals (see Fig. 2).
8. Fasten bottom cover from Live End.

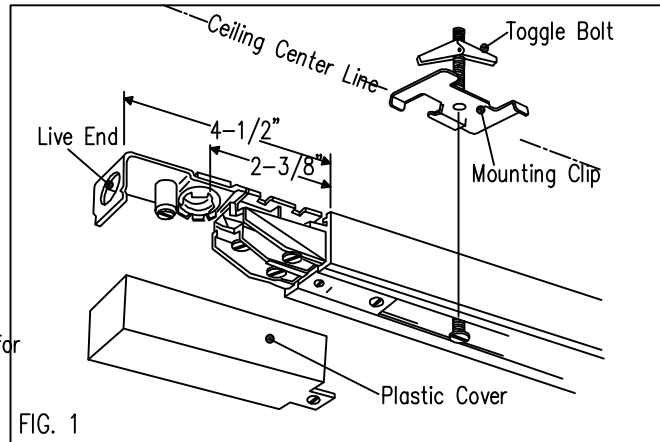


FIG. 1

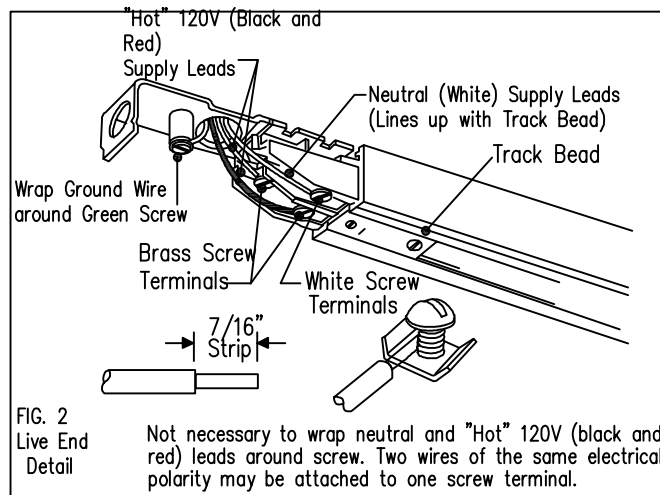


FIG. 2
Live End
Detail

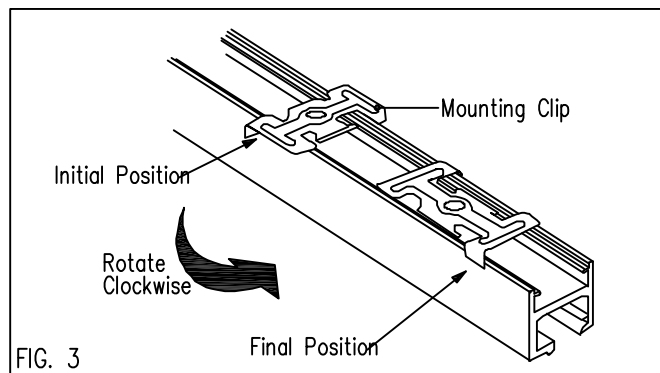


FIG. 3

LIGHTOLIER®

LIGHTOLIER

by **Signify**

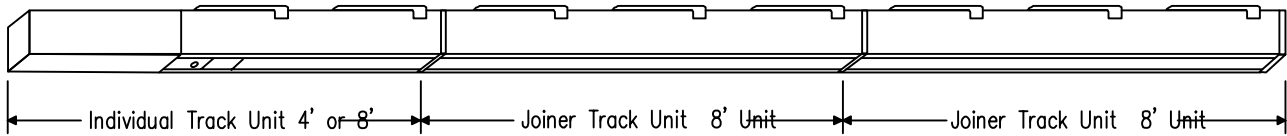
www.lightolier.com

Signify North America Corporation
200 Franklin Square Drive
Somerset, NJ 08873, USA
Phone: 855-486-2216

Signify Canada Ltd./ Signify Canada Ltée
281 Hillmount Road
Markham ON, Canada L6C 2S3
Phone: 800-668-9008

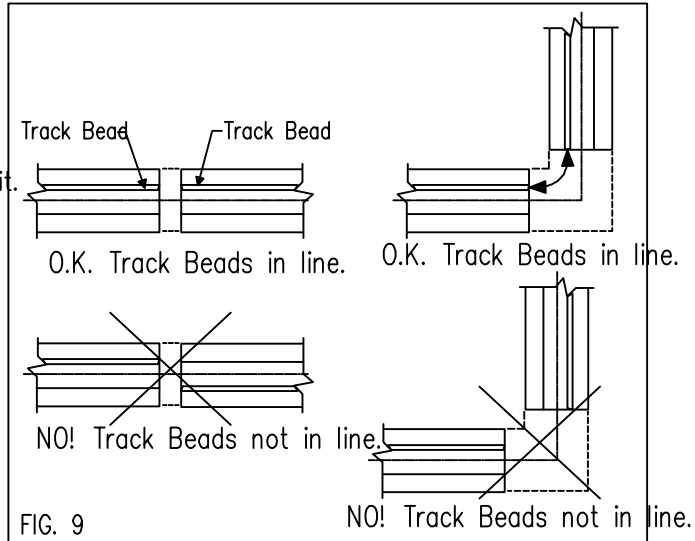
C0119

INSTALLATION INSTRUCTIONS FOR ADVENT LYTESPAN® TRACK SYSTEM



B. STRAIGHT CONTINUOUS RUN OF TRACK UNITS

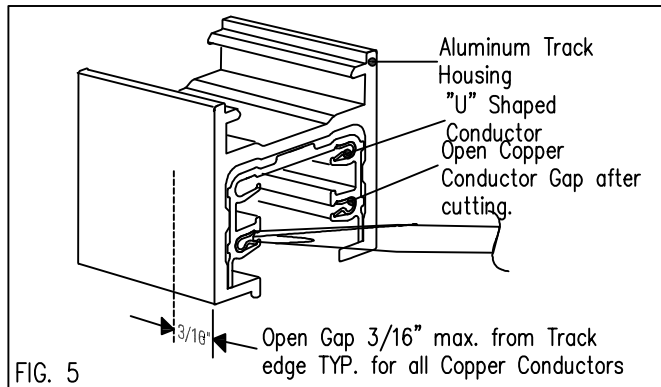
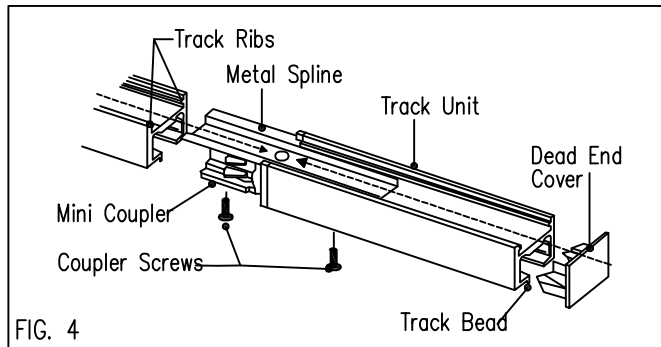
1. Extend Centerline to length of additional track(s) and fasten additional Mounting Clips (see instruction A-2).
2. Remove Dead End Cover from Individual Track Unit.
3. Plug Coupler of Joiner Track Unit into Individual Track Unit. (Ensure spline is under track ribs.) (Fig. 4)
4. Rotate Mounting Clips into track to secure track to ceiling (see Fig. 3).
5. Tighten (2) Coupler Screws (Fig. 4).
6. Install additional Joiner Track Units in the same manner.
7. Insert Dead End Cover into end of last Joiner Track Unit in run (Fig. 5).



C. FIELD CUTTING TRACK

Track may be cut at the end of a single track unit or at the end of a run of track units.

1. Remove Dead End Cover.
1. Cut track with hacksaw (preferably in a miter box to insure a square cut). Remove burrs with a file. There should be no burrs between the copper wire(s) and the aluminum track housing. If the track conductors come out of the liner, push them back into the liner using a screwdriver. Insert Dead End Cover into the cut track.
3. Additional track units (must use joiner track or coupler with plain track) as well as In-Line, L, T, X, Variable Angle Connector, or Power Extension Connectors may be attached to a cut track.
4. If an electrical connector is being installed into the cut section, open the Gaps of All Copper Conductors using a wedging tool (such as a flat blade screwdriver).



Caution: Do not open the gap of the conductors more than 3/16" from the edge of the track extrusion.

LIGHTOLIER®

INSTALLATION INSTRUCTIONS FOR ADVENT LYTESPAN® TRACK SYSTEM

D. MOUNTING TRACK DIRECTLY TO WALL OR CEILING SURFACE

Track may be mounted directly to a surface through existing holes in the Track (Fig. 6).

Caution: Nylon insulators are required to isolate the screws from the track conductors.

Caution: When wall mounting track, do not use mounting clips. Mount track directly to surface as shown in Fig. 6.

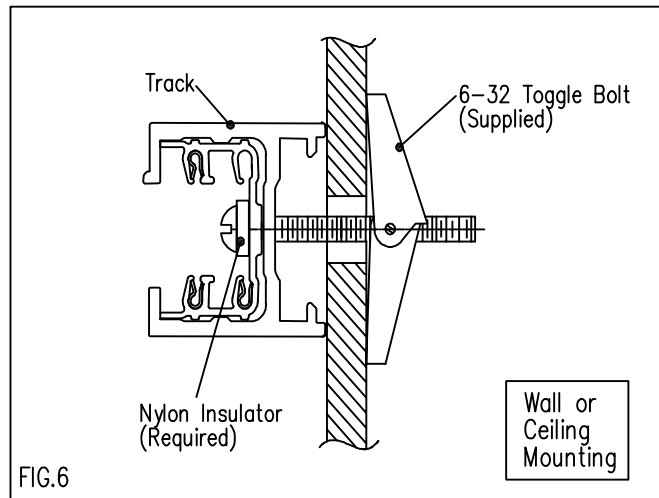


FIG. 6

E. INVISIBLE POWER FEED TO LIVE END

1. Remove Bottom Cover from Live End.
2. Remove Plug and Nut from Live End.
3. Insert 3/8" BX Connector into Live End and secure with Nut. Orient the screw of the BX Connector so it lies within the width of the Live End.
NOTE: Special care must be taken when making the hole in the mounting surface to prevent the hole from being visible when track is mounted. If Romex connector is being used the screws may have to be cut to conceal the mounting hole.

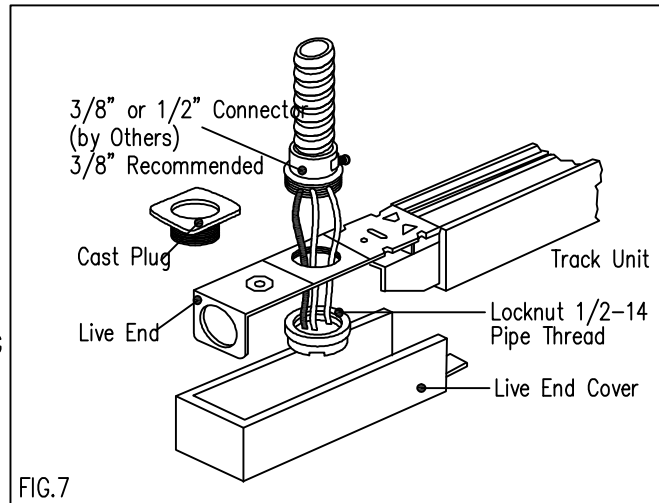


FIG. 7

4. Pass leads through BX Connector and Live End and secure conduit to BX Connector.
5. Follow instructions #5, #6, and #7 in Section A.

F. POWER FEED TO LIVE END FROM SURFACE WIRING

Live End accepts a 3/8" electrical Connector attached to a conduit, cable or raceway.
Note: Do not use the Live End as a conduit, cable or raceway support. Independent fastening means must be employed to support the conduit, cable or raceway to the building.

1. Remove Bottom Cover from Live End.
2. Remove "LIGHTOLIER" Label from the Bottom Cover and break-off K.O..
3. Mount 3/8" Connector to Live End. Follow Instructions A-6. Attach Bottom Cover to Live End.

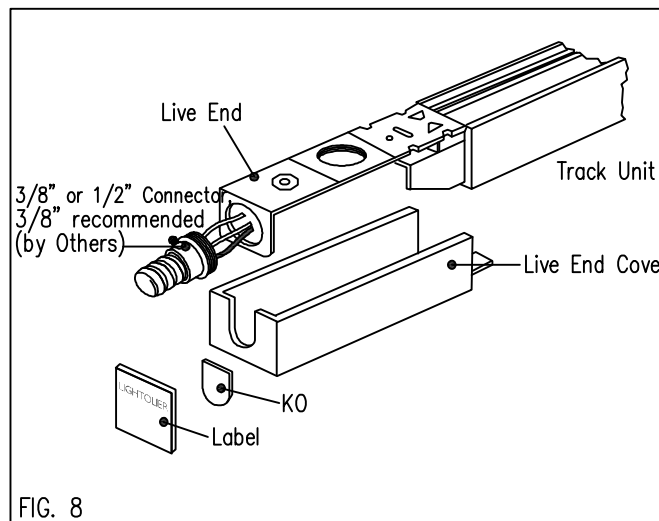


FIG. 8