

**LIVE END CONNECTOR  
FOR USE WITH ADVENT LYTESPAN® TRACK SYSTEM ONLY.  
NOTE: FOR USE ONLY WITH NEW ADVENT TRACK, DESIGNATED BY AN  
ITEM NUMBER FOLLOWED BY "WH" OR "BK."**

INSTRUCTION SHEET NO.

**IS:6148**

**READ AND UNDERSTAND THESE INSTRUCTIONS BEFORE INSTALLING FIXTURE.**

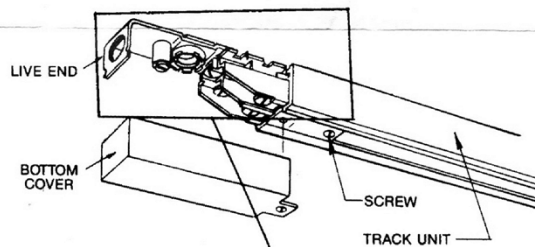
This fixture is intended for installation in accordance with the National Electrical Code and local regulations. To assure full compliance with local codes and regulations, check with your electrical inspector before installation. To prevent electrical shock, turn off electricity at fuse box before proceeding. **Retain these instructions for maintenance reference.**

**CAUTION:**

- **TURN OFF POWER AT FUSE BOX BEFORE INSTALLING TRACK.**
- **INSTRUCTIONS FOR GROUNDING PER INSTRUCTION SHEET OF THE FEED-IN KIT MUST BE FOLLOWED. FAILURE TO DO SO MAY RESULT IN A HAZARDOUS CONDITION.**
- **USE ONLY 12 AWG SOLID COPPER WIRE IN LIVE END.**
- **OBSERVE POLARITY. WHITE WIRE MUST BE CONNECTED TO WHITE TERMINAL. FAILURE TO DO SO MAY RESULT IN AN ELECTRICAL HAZARD.**
- **DO NOT SUPPLY THE LIVE END FROM TWO SEPARATE 120V BRANCH CIRCUITS AS THIS COULD OVERLOAD THE NEUTRAL TRACK CONDUCTOR LEADING TO AN ELECTRICAL HAZARD.**

**MOUNTING LIVE END TO TRACK UNIT**

1. Remove the existing LIVE END, if this is being used as a replacement part, by loosening the screw and pulling it away from the TRACK UNIT.
2. If PLAIN TRACK is being used, disregard instruction #1.
3. Push new LIVE END into the TRACK UNIT and tighten SCREW.
4. Mount and feed supply wires into the LIVE END by following the instructions supplied with the feed-in kit and TRACK UNIT (IS:6121).

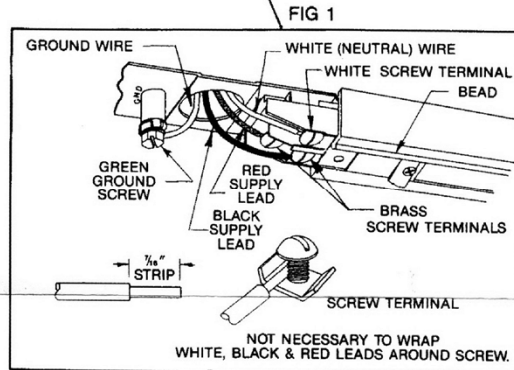


**5. CONNECTING SUPPLY LEADS**

**NOTE:** Feed LIVE END from a single phase, 120/240V (3-wire with grounded neutral), 60Hz, 20 amp max per circuit. Supply wires including the ground are to be 12 ga. solid copper.

WHITE (neutral) wire to white screw terminal adjacent to TRACK BEAD. BLACK and RED wires to brass screw terminals GREEN or UN-INSULATED GROUND WIRE wrap around GREEN GROUND SCREW marked "GND".

Power can also be fed directly into the LIVE END from conduit or cable terminating with an ELECTRICAL CONNECTOR with 1/2"-14 thd. (see Section E and F of Instruction Sheet supplied with track IS:6121). (Fig. 2)



6. Fasten BOTTOM COVER onto LIVE END.

**FEED-IN KITS WHICH CAN BE USED WITH THE LIVE END**

Follow the instructions for power feed to LIVE END in the instruction sheet supplied with:  
 END FEED CANOPY MOUNTING KIT.  
 FLOATING CANOPY MOUNTING KIT.  
 GRID CEILING CANOPY KIT.  
 STEM MOUNTING KIT.  
 FLOATING INVISIBLE FEED MOUNTING KIT.  
 FLOATING CANOPY KIT WITH STAND OFF CLIPS.

