

MINI COUPLER
FOR USE WITH ADVENT LYTESPAN® TRACK SYSTEM ONLY.
NOTE: FOR USE ONLY WITH NEW ADVENT TRACK DESIGNATED BY AN ITEM
NUMBER FOLLOWED BY "WH" OR "BK."

INSTRUCTION SHEET NO.

IS:6149

READ AND UNDERSTAND THESE INSTRUCTIONS BEFORE INSTALLING FIXTURE.

This fixture is intended for installation in accordance with the National Electrical Code and local regulations. To assure full compliance with local codes and regulations, check with your electrical inspector before installation. To prevent electrical shock, turn off electricity at fuse box before proceeding.

^ **Retain these instructions for maintenance reference.**

The MINI COUPLER is used to join two Track Units to continue a run of track. Power cannot be fed into the MINI COUPLER. The MINI COUPLER can be inserted into a cut section of track.

CAUTION:

- **TURN OFF POWER AT FUSE BOX BEFORE INSTALLING THE MINI COUPLER AND TRACK.**
- **DO NOT ATTEMPT TO FEED POWER TO THE MINI COUPLER.**
- **INSTRUCTIONS FOR GROUNDING MUST BE FOLLOWED. FAILURE TO DO SO MAY RESULT IN A HAZARDOUS CONDITION.**

INSTALLATION

The MINI COUPLER is polarized, allowing installation into the track only in one orientation. The BEADS on the two tracks being joined must be in-line. (Fig. 1)

1. Remove DEAD END from end of TRACK UNIT and retain.
2. Push MINI COUPLER into TRACK UNIT, making sure METAL SPLINE is under TRACK RIBS.
3. Push the other TRACK UNIT onto the MINI COUPLER, making sure the METAL SPLINE is under the TRACK RIBS.
4. Tighten the COUPLER SCREWS on the MINI COUPLER.
5. Insert the DEAD END into the end of the last TRACK UNIT in the run.
6. Mount the track as shown on the Feed-In Kit or Track Instruction Sheet IS:6121.

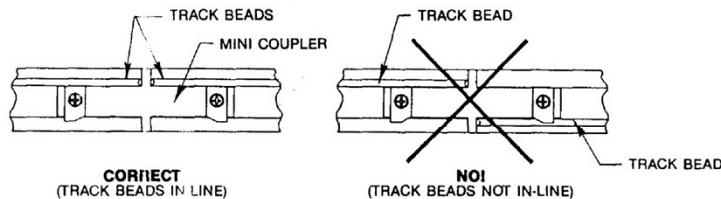
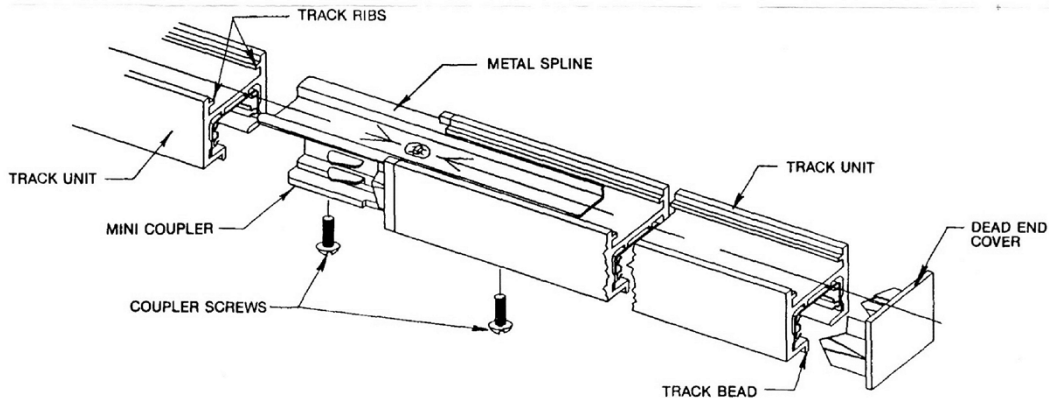


FIG 1



Signify North America Corporation
 200 Franklin Square Drive
 Somerset, NJ 08873, USA
 Phone: 855-486-2216

Signify Canada Ltd./ Signify Canada Ltée
 281 Hillmount Road
 Markham ON, Canada L6C 2S3
 Phone: 800-668-9008

LIGHTOLIER

by Signify

www.lightolier.com