

# INSTRUCTIONS FOR ATTACHING LYTESPOT® TO LYTESPAN® TRACK

INSTRUCTION SHEET NO.

# IS:9021

0693

**FOR USE WITH LYTESPAN® TRACK SYSTEMS ONLY.**

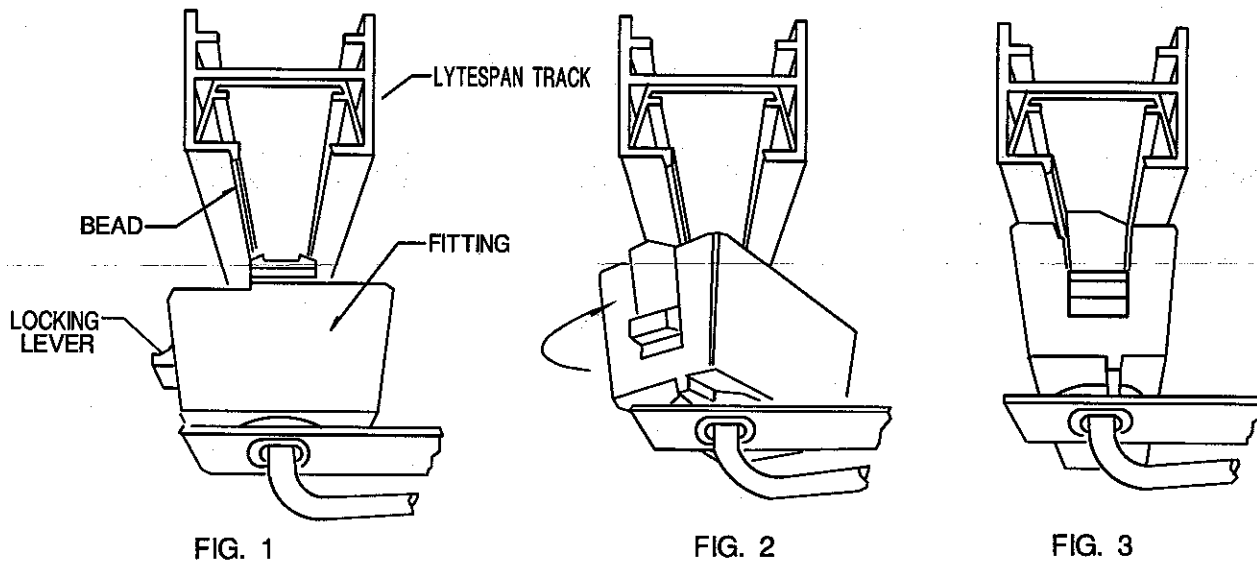
**READ AND UNDERSTAND THESE INSTRUCTIONS BEFORE INSTALLING FIXTURE.**

This fixture is intended for installation in accordance with the National Code and local regulations. To assure full compliance with local codes and regulations, check with your local electrical inspector before installation. To prevent electrical shock, turn off electricity at fuse box before proceeding.

**Retain these instructions for maintenance reference.**

## INSTRUCTIONS FOR ATTACHING LYTESPOT® TO SINGLE CIRCUIT TRACK SYSTEM

1. Insert into LYTESPAN TRACK (see Fig. 1). LOCKING LEVER must be on the same side of track as BEAD.
2. Rotate FITTING 90° clockwise (see Fig. 2).
3. Rotate FITTING until LOCKING LEVER snaps and locks in place (see Fig. 3).
4. To remove: depress LOCKING LEVER, then rotate FITTING 90° counterclockwise.



## INSTRUCTIONS FOR CONVERTING LYTESPOT® ATTACHMENT FITTING TO OPERATE ON 2 CIRCUIT TRACK

See Fig. 4. BRASS CONTACT can be raised or lowered. Broken line indicates position for 1 circuit or lower circuit of 2 circuit track system.

To convert attachment FITTING for upper circuit of 2 circuit track, raise BRASS CONTACT to high position by lifting CONTACT as high as stop permits and CONTACT clicks into place.

