

READ AND UNDERSTAND THESE INSTRUCTIONS BEFORE INSTALLING LUMINAIRE

This luminaire is intended for installation in accordance with the National Electrical Code and local regulations.

To assure full compliance with local codes and regulations, check with your local electrical inspector before installation. To prevent electric shock, turn off electricity at fuse box before proceeding.

Retain these instructions for maintenance reference.

**INSTALLATION PROCEDURE FOR CALCULITE® EVOLUTION:
CA3FMR SERIES FLANGELESS TRIM RING FOR FLANGELESS TRIMS**

NOTE: Photos shown here assume the Frame-In Kit and ceiling are already installed.

For flangeless installations, cardboard PAINT OVERSPRAY SHIELD, which is installed in 3” Evolution Frame-In-Kits, must be removed prior to CA3FMR installation.

NOTE: The bottom surface of the Frame-In Kit should be flush with the top surface of the ceiling material.

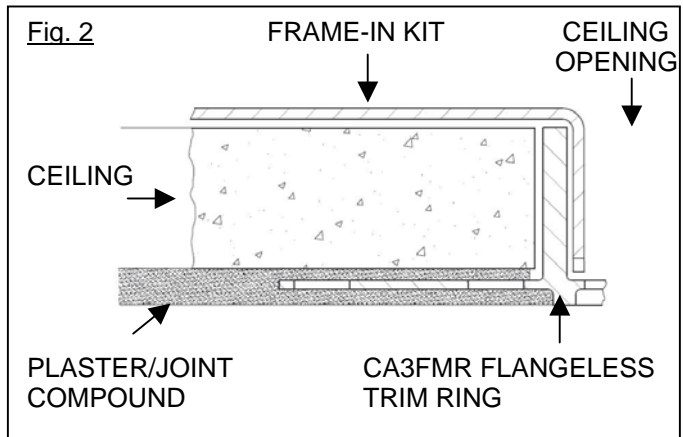
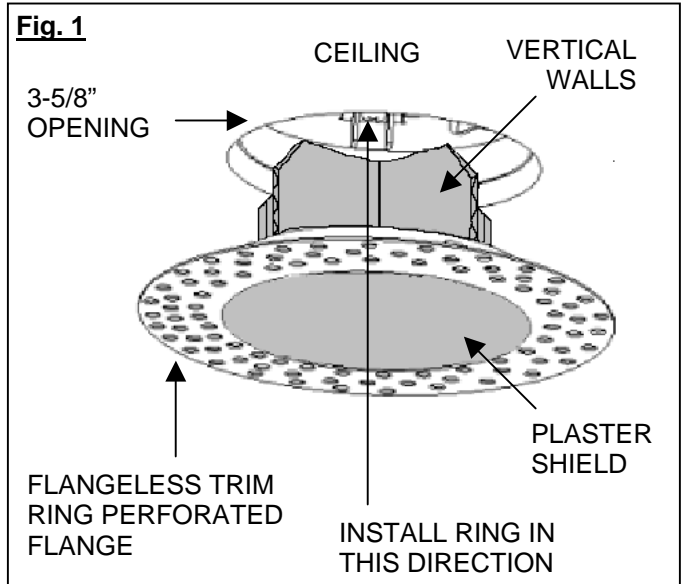
1. Do not remove cardboard FLANGELESS TRIM RING PLASTER SHIELD from flangeless trim ring.

2. Prior to installation, ensure that ceiling opening is 3-5/8” in diameter.

NOTE: For maximum adhesion, a bead of construction adhesive can be applied to the back (ceiling) side of the FLANGELESS TRIM RING perforated flange.

3. Insert FLANGELESS TRIM RING into ceiling opening and rotate clockwise, ensuring the perforated flange is flush to the ceiling (Fig. 1). Blades on outside edge of ring should bite into ceiling and secure ring in place.

NOTE: For applications where ceiling thickness is less than 3/4”, FLANGELESS TRIM RING should fit between ceiling & Frame-In Kit (Fig 2). For applications where ceiling thickness exceeds 3/4”, FLANGELESS TRIM RING will not contact installed Frame-In Kit. It is therefore critical that FLANGELESS TRIM RING be vertically aligned with the Frame-In Kit aperture. Vertical walls of cardboard FLANGELESS TRIM RING PLASTER SHIELD should fit inside Frame-In Kit aperture and be used to ensure vertical alignment.



READ AND UNDERSTAND THESE INSTRUCTIONS BEFORE INSTALLING LUMINAIRE

This luminaire is intended for installation in accordance with the National Electrical Code and local regulations.

To assure full compliance with local codes and regulations, check with your local electrical inspector before installation. To prevent electric shock, turn off electricity at fuse box before proceeding.

Retain these instructions for maintenance reference.

INSTRUCTION SHEET NO.

IS: CA3FMR

A1104

Page 2 of 2

**INSTALLATION PROCEDURE FOR CALCULITE® EVOLUTION:
CA3FMR SERIES FLANGELESS TRIM RING FOR FLANGELESS TRIMS**

4. Apply plaster/compound to the ceiling (Fig 3). Starting at the outside of the ring circumference, evenly build up the plaster/compound around the entire RING LIP surface. It is also acceptable to carefully apply plaster/compound over the cardboard FLANGELESS TRIM RING PLASTER SHIELD if preferred. Plaster/compound should be applied so as to firmly secure FLANGELESS TRIM RING flush to ceiling.

5. Feather the plaster/compound out away from the RING until the transition is smooth and acceptable; multiple coats may be required.

6. Sand away surface blemishes. For best results, sand flat until the FLANGELESS TRIM RING plaster lip is visible.

7. If cardboard FLANGELESS TRIM RING PLASTER SHIELD is covered with plaster/compound, use a sharp blade to carefully cut around inside circumference of FLANGELESS TRIM RING and remove cardboard.

8. Paint as required, making sure to keep paint out of Frame-In Kit.

Fig. 3

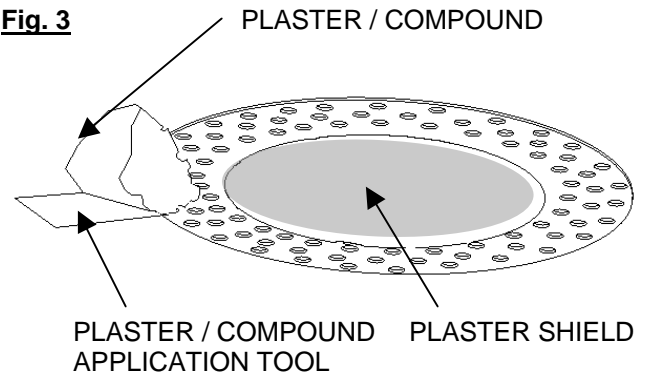
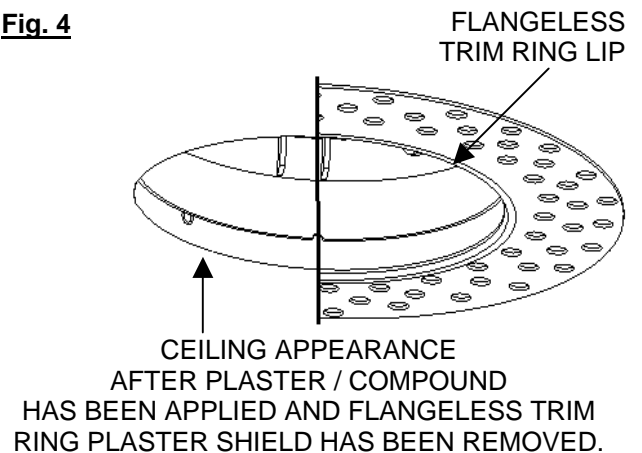


Fig. 4



LIGHTOLIER®

LIGHTOLIER A GENLYTE COMPANY
631 Airport Road, Fall River, MA 02720