



The LumaMed Slot from Alkco brings linear lines of light into complex environments, such as cleanrooms, food processing, and healthcare applications. Combining modern aesthetics with the ratings necessary for these applications, the LumaMed Slot is an excellent choice for bringing the design of these spaces into the modern age.

LumaMed Slot is powered by AccuRender 90CRI LEDs, as well as Tunable White and BioUp circadian lighting technologies.

Project: _____
 Location: _____
 Cat.No: _____
 Type: _____
 Qty: _____
 Notes: _____

Ordering guide: Static White

Family	Mounting	Distribution	Source	CRI/CCT	Lumens/Ft	Optics	Housing	Ceiling/Trim	Length
LS LumaMed Slot	R Recessed	S Performance Symmetric A Performance Asymmetric	L LED	930 90CRI, 3000K 935 90CRI, 3500K 940 90CRI, 4000K 950 90CRI, 5000K	15 375lm/ft 22 550lm/ft 30 750lm/ft 40 1000lm/ft 50⁶ 1250lm/ft 60⁶ 1500lm/ft	Q Flush MesoOptics Lens	S Standard C⁵ Chicago	1 Grid (9/16" and 1") 4 Drywall Trim	02 2ft 03 3ft 04 4ft 05 5ft 06 6ft 08 8ft
Voltage		Driver	Circuit	Wiring Options	System/Controls			Trim Finish	
D UNV 3² 347V		E Advance Xitanium 0-10V 1%	1 Single circuit	N None B³ 10W Emergency Generator transfer device	NN None			A Antimicrobial White B Antimicrobial Black Custom finish requires factory consultation	
D UNV		D Advance Xitanium DALI 5% H Lutron EcoSystem LDE1	1 Single circuit	N None B³ 10W Emergency Generator transfer device	CS Interact Pro Scalable				
D UNV		S Advance Xitanium Sensor Ready			SB Interact wireless sensor with daylight, occ and environmental RA Radio only sensor, SNS441 IA				

- 1500 lm/ft option is non IC rated
- 347V option can only be specified with driver E
- Battery pack (B) can be supported for lumen packages up to 40 (1000 lm/ft)
- GTD and B can only be specified for lengths of 4ft and up
- Chicago option cannot be specified with sensor options
- Lumen packages are non-IC rated when specified with Chicago housing

Ordering guide: Tunable White and BioUp Cyan Enhanced)

Family	Mounting	Distribution	Source	CRI/CCT	Lumens/Ft	Optics	Housing	Ceiling/Trim	Length
LS LumaMed Slot	R Recessed	S Performance Symmetric A Performance Asymmetric	L LED	9T2³ Tunable White 90CRI BIO³ Cyan Enhanced BioUp	15 375lm/ft 22 550lm/ft 30 750lm/ft 40 1000lm/ft	Q Flush MesoOptics Lens	S Standard C⁴ Chicago	1 Grid (9/16" and 1") 4 Drywall Trim	02 2ft 03 3ft 04 4ft 05 5ft 06 6ft 08 8ft
Voltage		Driver	Circuit	Wiring Options	System/Controls			Trim Finish	
D UNV		F Advance FlexTune Sensor Ready 1% 2^{5,6} 0-10V 2ch (0.1%) 6⁶ DALI-2 DT6 2ch (0.1%) 8⁶ DALI-2 DT8 2ch (0.1%)	1 Single circuit	N None B¹ 10W Emergency Generator transfer device G²	NN None CS Interact Pro Scalable SB Interact wireless sensor with daylight, occ and environmental RA Radio only sensor, SNS441 IA			A Antimicrobial White B Antimicrobial Black Custom finish requires factory consultation	

- Battery pack (B) can be supported for lumen packages up to 40 (1000 lm/ft)
- GTD and B can only be specified for lengths of 4ft and up
- Tunable white and BioUp maximum lumens support up to 4000 lm
- Chicago option cannot be specified with sensor options
- Tunable White and BioUp options are available with Interact Pro wireless or with 2ch 0-10V or DALI-2 wired drivers. Please enquire about options such as Lutron T Series or DMX control (extended lead times may apply)
- 2.6.8 cannot be specified with sensor options

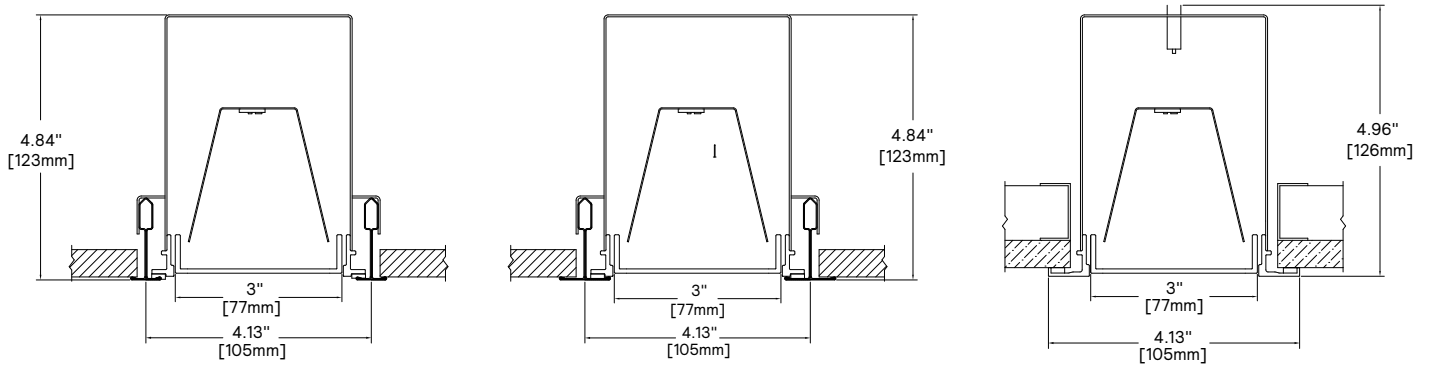


LumaMed Slot Sealed Recessed Slot

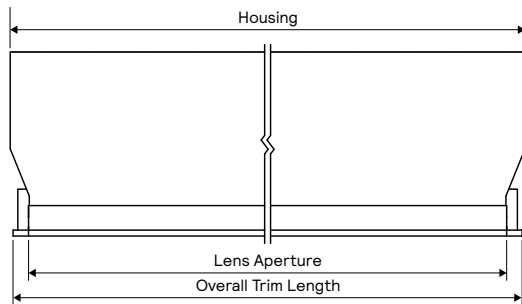
Options and dimensions

Flush Lens

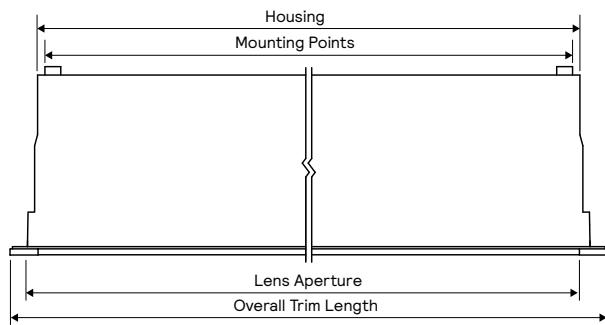
LumaMed Slot with Flush MesoOptics.



Standalone



Nominal	Housing	Lens Aperture	T-Grid
2ft	23.9" [607mm]	23.0" [584mm]	23.8" [605mm]
3ft	35.9" [912mm]	35.0" [889mm]	35.8" [909mm]
4ft	47.9" [1217mm]	47.0" [1194mm]	47.8" [1214mm]
5ft	59.9" [1512mm]	59.0" [1499mm]	59.8" [1519mm]
6ft	71.9" [1826mm]	71.0" [1803mm]	71.8" [1824mm]
8ft	95.9" [2436mm]	95.0" [2413mm]	95.8" [2433mm]



Nominal	Housing	Lens Aperture	Mounting Points	Trim Length
2ft	24.0" [610mm]	24.0" [610mm]	23.2" [590mm]	25.5" [648mm]
3ft	36.0" [914mm]	36.0" [914mm]	35.2" [894mm]	37.5" [952mm]
4ft	48.0" [1220mm]	48.0" [1220mm]	47.2" [1199mm]	49.5" [1257mm]
5ft	60.0" [1525mm]	60.0" [1525mm]	59.2" [1504mm]	61.5" [1562mm]
6ft	72.0" [1829mm]	72.0" [1829mm]	71.2" [1809mm]	73.5" [1867mm]
8ft	96.0" [2439mm]	96.0" [2439mm]	95.2" [2418mm]	97.5" [2476mm]

LumaMed Slot Sealed Recessed Slot

Specifications

Optical System

Light is directed by internal reflectors in combination with precision MesoOptics DX films to create optimal control of light from the luminaire. Both Symmetric and Asymmetric distributions are available.

Housing

Die-formed, 20 gauge cold-rolled steel housing. Multiple upper wire entrances are available for continuous row mounting of fixtures.

Trim

Extruded aluminum trim and die-cast endplates coated with an electrostatically applied, thermally cured polyester powder coat finish.

Mounting

T-Grid: Mounting brackets on housing sides support T-Grid installation in 9/16", 15/16" or slot T-Grid suspension systems (NEMA types G, NFG, NFSG, SS and Armstrong TechZone 4").

Drywall (Ceiling mounted): Ceiling mounted luminaires are available with Drywall Trim or Trimless options. A 1/16" diameter aircraft cable with self-locking, tamper-resistant, miniature cable gripper provides vertical adjustment. The aircraft cable, crimp and gripper have been independently tested to meet stringent safety requirements.

Weight

Maximum 3.5lbs/ft.

Standard Drivers

Advance Xitanium 0-10V, 1% Dimming.
Advance Xitanium DALI, 5% Dimming.
Advance Xitanium Sensor Ready, 1% Dimming.
Lutron EcoSystem LDE1, 1% Dimming with Soft-On and Fade-to-Black.

Standard Battery Packs

Bodine Battery Pack, 90 min, 10W, Class 2 rated output.
Lumen output = 10W x luminaire efficacy x 1.1. Typical output ~1200lm.

Lumen Maintenance

LEDs have been tested by the manufacturer in accordance with IESNA LM-80-15. At an ambient temperature of 25°C, the LED lumen maintenance expectation according to IES TM-21-11 is:
 L_{90} (10k) > 60,000 hours (Reported methodology).

Source Color

LEDs rated for color rendering of:
CRI $R_a \geq 90$, $R_g \geq 50$, $G_a \geq 97$, $C_a \geq 90$
IES TM-30-18 : $R_f \geq 90$, $R_{f,hl} \geq 89$, $R_g \geq 99$, $R_{cs,hl} \geq -6\%$
SPD and TM-30-18 reports available upon request

Fixture to fixture color accuracy within:
2 SDCM for Static White luminaires
3 SDCM for Tunable White luminaires

Approvals

cULus Wet Location listed
IP65, NSF, ISO 5 Cleanroom, IK06 rated
CCEA option for Chicago Plenum
IC rated up to 1250 lm/ft (Please note exceptions in the footnotes section)
Declare

Environment

Rated for dry or damp locations in operating ambient temperatures of 0-25°C (32-77°F).

Many luminaire components, such as reflectors, refractors, lenses, and LEDs are made from various types of plastics which can be adversely affected by airborne contaminants. If sulfur-based chemicals, petroleum-based products, cleaning solutions, or other contaminants are expected in the intended area of use, consult factory for compatibility. Damage caused by sulfur, chlorine, petroleum-based solution or other contaminants are not covered under warranty. Not suitable for natatorium environments.

Warranty

Five-year luminaire limited warranty including LED boards and driver:
www.signify.com/warranties

LumaMed Slot Sealed Recessed Slot

Specifications

Wireless Controls Options

Interact Pro scalable sensor for Foundation, Advanced & Enterprise tiers (CS an evolution of SpaceWise):

- CS is a connected sensor with integral occupancy and daylight sensing and supports wireless mesh connectivity.
- The sensor works in the Foundation mode (similar to SpaceWise) when configured without a gateway or in an Interact Pro Advanced or Enterprise mode if a compatible gateway is used.
- Interact Pro includes an App, a portal and a broad portfolio of wireless luminaires, lamps and retrofit kits all working on the same system.
- Startup is implemented via Interact Pro App (Android or iPhone) & Bluetooth connectivity. The App provides flexibility to choose between a gateway or non gateway mode for setup.
- Setup with the gateway requires wired internet access to the gateway. It is possible to add a gateway at a later point.
- Prepare project configuration steps remotely and use IRT9015 remote onsite to identify and group devices together.
- Compatible with UID8451/10 wireless dimmer switch, SWS200 wireless scene switch, wireless Occ sensor (OCC SENSOR IA CM IP42 WH 10/1) and wireless Day/Occ sensor (OCC MULTI SENSOR IA CM WH 10/1).
- For more information on Interact Pro visit:
www.interact-lighting.com/interactproscalablesystem

Emergency Options (R):

- Power Sensing (Factory default) – Recommended
- UL924 option requires unswitched power sense line, absence of voltage on the normal circuit triggers luminaire to 100% output.
- Power Interruption Detection (Field option)
- Detects AC power interruption >30ms triggers 90 minute emergency mode with luminaire at 100% output.

Interact Pro scalable sensor bundles for Enterprise tier (SB):

- SB option, in addition to occupancy and daylight sensing, supports advanced IoT capabilities such as people estimation analysis, desk level temperature & humidity sensing, noise classification, and BLE beacon.
- Compatible with UID8451/10 wireless dimmer switch, SWS200 wireless scene switch, wireless Occ sensor (OCC SENSOR IA CM IP42 WH 10/1) and wireless Day/Occ sensor (OCC MULTI SENSOR IA CM WH 10/1).
- Use Interact software and insights to increase building efficiency, achieve building wide integration and optimize space through occupancy analytics.
- Requires compatible Gateway and internet connectivity for commissioning. For more information, visit:
www.interact-lighting.com/office

Wired Controls Options

Interact Office Wired (IO & SB):

- Use Interact software and insights to increase building efficiency, achieve building wide integration and optimize space through occupancy analytics.
- Integral sensor option for occupancy sensing (PIR) and/or daylight harvesting available for additional energy savings.
- SB option, in addition to occupancy and daylight sensing, supports advanced IoT capabilities such as people estimation analysis, desk level temperature & humidity sensing, noise classification, and BLE beacon.
- Optional integral emergency controller and battery pack provides backup lighting in the case of a power outage. Test switch and indicator light mounted on the chassis.
- Emergency battery has a 3 month pre-installed shelf life, and must be stored and installed in environments of -20°C to 30°C (-4F to 86F) ambient, and 45-85% relative humidity.
- For more information on Interact Office Wired visit:
www.interact-lighting.com/office

Note: Signify Interact Office Luminaires are not sold individually and are only compatible with Signify's Interact Office control system & software. The system requires a compatible back-end IT infrastructure for normal operations, please consult your Signify representative for additional information.

Tunable White:

- Signify tunable white solutions are designed to help maximize the influence of lighting on your daily life.
- Dynamic behaviors via scheduled lighting recipes mimicking daylight patterns or supporting biorhythms.
- Scene setting via lighting pre-sets based on various combinations of lighting color temperature and intensity.

LumaMed Slot Sealed Recessed Slot

interact

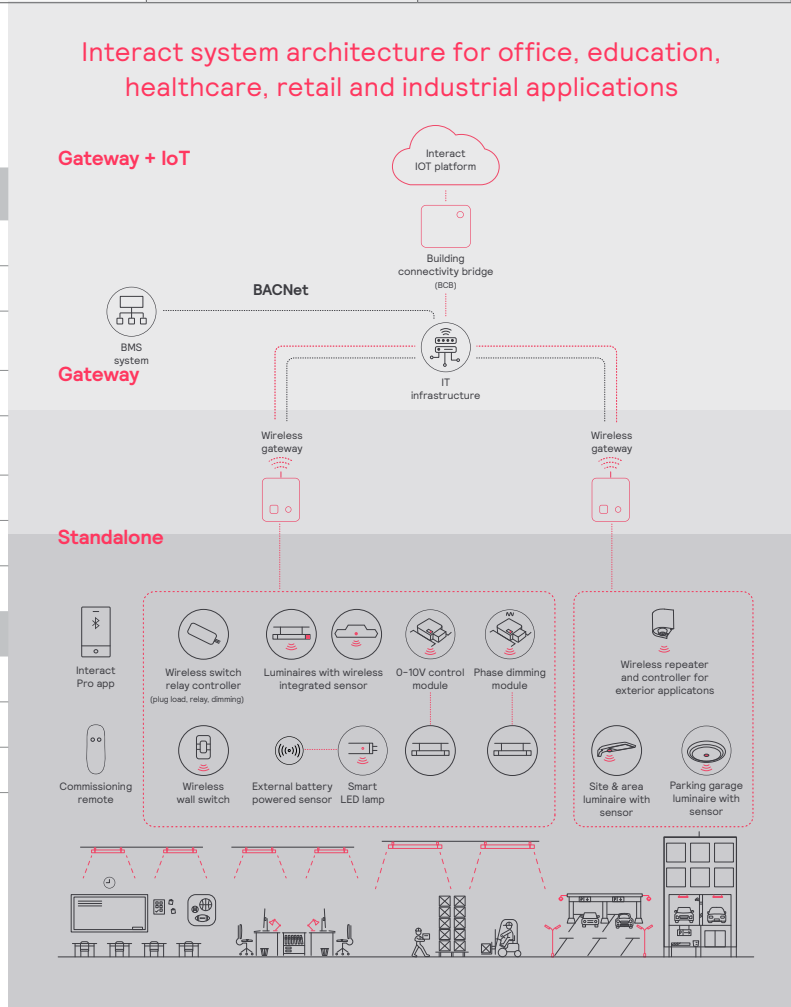
	Interact system		
	Standalone	Gateway	Gateway + IoT
Dimming, grouping, and zoning	✓	✓	✓
Bluetooth and ZigBee enabled	✓	✓	✓
Motion sensing and daylight harvesting	✓	✓	✓
Integration with 0-10V and phase dimming fixtures	✓	✓	✓
Code compliance	✓	✓	✓
Granular dimming and dwell time	✓	✓	✓
New Correlated color temperature (CCT) tuning by switch	✓	✓	✓
New Support for sensor-based Tunable White luminaires	✓	✓	✓
Energy reporting and monitoring		✓	✓
Scheduling		✓	✓
Demand response		✓	✓
BMS integration (BACnet)			✓
Floor plan visualization			✓
IoT sensors for wellness			✓
IoT Apps for productivity			✓

Currently supported maximum system size

To be able to design the lighting system correctly for the customer, it is important to know the prime characteristics of the system, its possibilities and limitations.

System level	
Total number of gateways	Unlimited
Total number of devices	200 per network
<ul style="list-style-type: none"> luminaires with integrated sensors 	150
<ul style="list-style-type: none"> smart TLEDs 	150
Total number of ZGP devices (sensors and switches)	50
<ul style="list-style-type: none"> sensors 	30
<ul style="list-style-type: none"> switches 	50
<ul style="list-style-type: none"> zones and groups 	64
Group level	
Recommended number of lights	40 (recommended 25)
Number of ZGP devices	5
Number of scenes	16

Interact system architecture for office, education, healthcare, retail and industrial applications



LumaMed Slot Sealed Recessed Slot

LumaMed Slot photometry

Nominal CRI & CCT		CRI 90+, 3000K			CRI 90+, 4000K			CRI 90+, 5000K			
Nominal Lumen Package (lm/4ft) ¹	Watts (W) ³	Flux (lm/4ft) ¹	Efficacy (LPW) ¹	UGR ²	Flux (lm/4ft) ¹	Efficacy (LPW) ¹	UGR ²	Flux (lm/4ft) ¹	Efficacy (LPW) ¹	UGR ²	
Direct											
Static White ⁴	6,000	54.1	5,700	105.4	54.1	5,961	110.2	24.7	6,037	111.6	24.7
	5,000	43.9	4,741	108.0	43.9	4,963	113.1	24.1	5,022	114.4	24.1
	4,000	34.8	3,782	108.7	34.8	3,969	114.1	23.3	4,010	115.2	23.3
	3,000	26.1	2,839	108.8	26.1	2,984	114.3	22.3	3,013	115.4	22.3
	2,200	18.4	2,117	115.1	18.4	2,225	120.9	21.3	2,247	122.1	21.3
	1,500	12.7	1,478	116.4	12.7	1,152	122.2	19.9	1,568	123.5	20.1

- 4ft Luminaire photometry has been conducted in accordance with IES LM-79-08. Photometry should be scaled for luminaire configurations other than 4ft. Luminaires with finishes other than standard white may result in a drop in flux and efficacy.
- Unified Glare Ratio (UGR) is calculated in accordance with CIE 117-1995. Reference conditions of 4Hx8Hx1H and reflectances of 70/50/20% have been applied using the procedure described in CIE 190-2010.
- Input power stated at 3500K.
- Static White stated with Advance Xitanium 0-10V driver; Tunable White stated with Advance FlexTune SR driver. Data may vary with other drivers.