



Lightolier LyteCaster LED Accent Wall Wash features a 3.5" luminaire height that conserves plenum space without compromising performance. The modular and interchangeable light engine allows for an easy future upgrade. The accent wall wash is wet location listed and comes in 3 standard finish options.

Complete luminaire = Frame-in kit + Light engine + Trim Order each separately

Frame

example: L3AE1

Series	Installations	Dimming	Voltage
L3			
L3 LyteCaster 3" Accent	A AirSeal IC, New Construction, Screw AN AirSeal IC, New Construction, Nail C Remodeler Non-IC	E ELV/Triac	1 120V
	N New construction (Non-IC)	Z10 0-10V	U Universal (120-277V)

Light engine

example: L308930NF

Series	Lumens	CRI/CCT	Beam
L3	08		
L3 LyteCaster 3" Accent	08 800lm	927 90 CRI / 2700K 930 90 CRI / 3000K 935 90 CRI / 3500K 940 90 CRI / 4000K	S Spot, 17° NF Narrow flood, 22° F Flood, 30°
		9CW30 90 CRI / 3000K Crisp White 9PW30 90 CRI / 3000K Premium White 9PC30 90 CRI / 3000K Premium Color	

Round trim

example: L3RSW

Series	Shape	Style	Flange
L3	R	S	
L3 LyteCaster 3" Accent	R Round	S Shower Light	W White A Aluminum

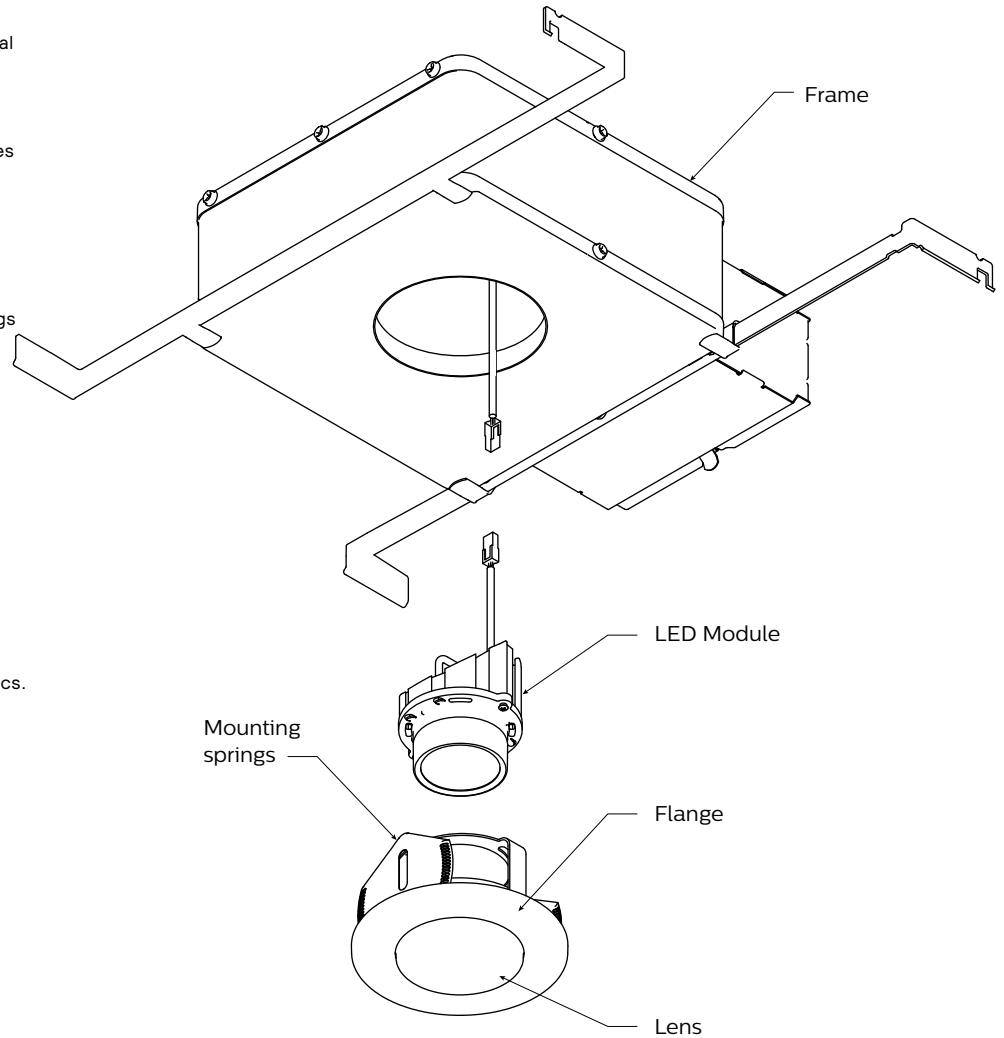
L3RS LyteCaster LED 3" Accent

Round Shower Light

Assembled configuration:

1. Frame Galvanized steel construction with internal access door for inspection of junction box.
2. LED Module Extruded Aluminum clear anodized finish heat sink with thermal interface material efficiently transfers heat away from LED. Includes strain relieved low voltage whip with snap interconnector for quick, tool less assembly of power connection. Tool-less assembly to trim.
3. LED Module can be installed before or after trim installation.
4. Mounting springs stainless steel mounting springs min 0.013" thick provide a universal mounting solution between the different frame offerings
5. Reflector: Aluminum Reflector Cone.
6. Die Cast Aluminum Trim Flange.
7. Lens: Frosted Glass

Note: LED module allows for field replaceable optics.
Order separately.

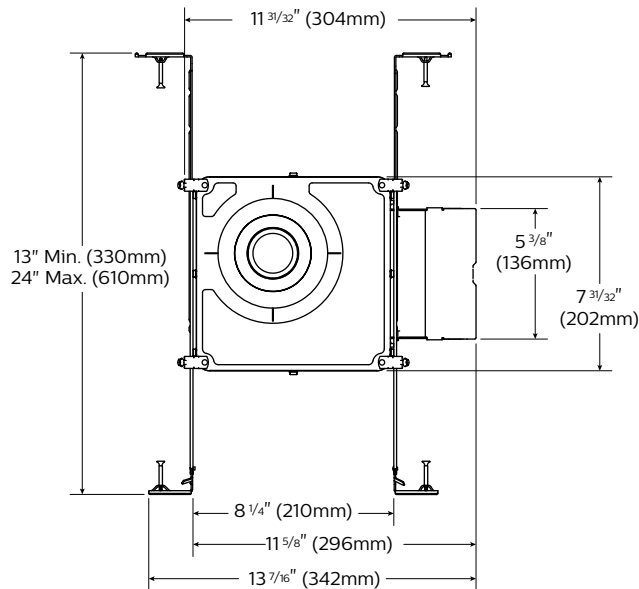


L3RS LyteCaster LED 3" Accent

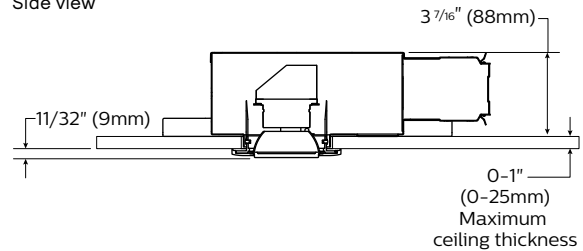
Round Shower Light

L3AE1 & L3ANE1 new construction in IC AirSeal frame-in kits

Bottom view

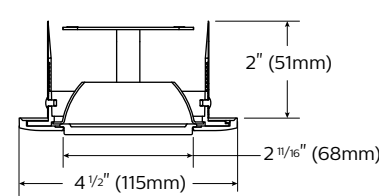


Side view

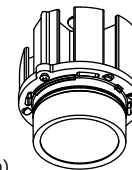


Round trim

Side view



Light engine



Features

- Housing:** #23 ga. (.026") thick Galvanized steel. cULus listed for direct contact with thermal insulation (IC rated). AirSeal housing minimizes air leakage to less than 2 CFM at 1.57PSF (or 75PA), which complies with Title 24, the International Energy Conservation Code, and Washington State Energy Code (Section 502.4). This helps to reduce heat loss and condensation in ceiling. Internal access door for inspection of junction box.
- Lower frame and top cover:** #23 ga. (.026") thick Galvanized steel. Accommodates ceilings up to 1" (25.4 mm) thick. Bottom cover provided with a .5" (6.2mm) lip and 4 embossed indicator lines to simplify alignment during installation. Housing can be locked into position on the mounting bars with locking screws.
- Junction box:** 2 1/2" (64mm) x 5 3/8" (137mm) x 2" (51mm) #21 ga. (.032") thick galvanized steel, cULus listed 90 degrees C rated supply conductors. Rated for branch circuit wiring supplying connected luminaires (daisy chaining).
- Mounting bars:** #16 ga. (.059") thick galvanized steel. Bars pivot for easy attachment and wire in from below the ceiling line. Bars can extend to accommodate 16" (406mm) to 24" (610mm) O.C. joist spacing. Bars can accommodate 12" (305mm) O.C. joist spacing after slight field modification (see instruction sheet). Features integral self-tapping screw phillips/square drive for attachment to wood or metal construction. Also available with integral nails (N). Attaches to T-bar ceilings without accessories. Bars installed on shortest dimension of frame can be easily rotated 90° from original position.
- Electronic dimming driver:** Class 2 electronic LED Driver, with less than 1 second start up, RoHS compliant, suitable for damp locations. 120v 50/60Hz >.9 power factor. Sound rating Class "A" (<24dB). Complies with FCC, CFR title 47 part 15 Class B for EMI/RFI. Dimmable with standard electronic low voltage (ELV) & Triac dimmers. Dims to less than or equal to 10% of relative high output. 5 year limited warranty.
- Ceiling cutout:** 3 3/4" diameter.
- Optics:**
 - Standard: 3SDCM fixture-to-fixture color match.
 - Crisp White (CW30):** Available in 90CRI / 3000K only, our 90CRI CrispWhite technology combines the warm, saturated colors of high CRI with crisp and vibrant whites. The small form factor and high quality of light make this an impactful option for retail display areas.
 - Premium White (PW30):** Available in 90CRI/3000K only, the new benchmark in retail fashion, delivering stronger, brighter whites via the best technology in the market, but with minimal compromise on energy savings.
 - Premium Color (PC30):** Available in 90CRI/3000K only, provides vivid and robust colors that pop while maintaining a strong ambient white and bold black balance in any space. This LED technology is sure to add positive energy to varying application needs.

Electrical

Input voltage: 120/277V
Input frequency: 50/60Hz
Input current: 0.14/0.06A
Input Power: 16.4W
Power factor: >0.9

Labels

cULus listed suitable for wet locations.

AirSeal - Rated for installation in insulated ceilings. Air-tite rated per ASTM E283.

Compliant to California Title 24 JA8, and certified to the Title 20 appliance database. E1 frames only.

Energy Star qualified configurations available.

Warranty

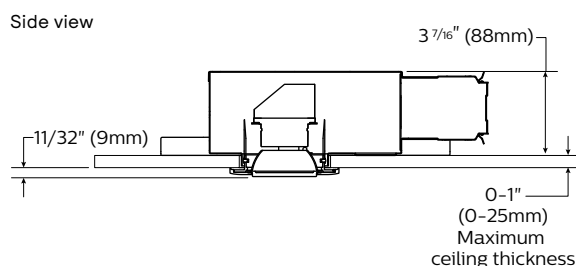
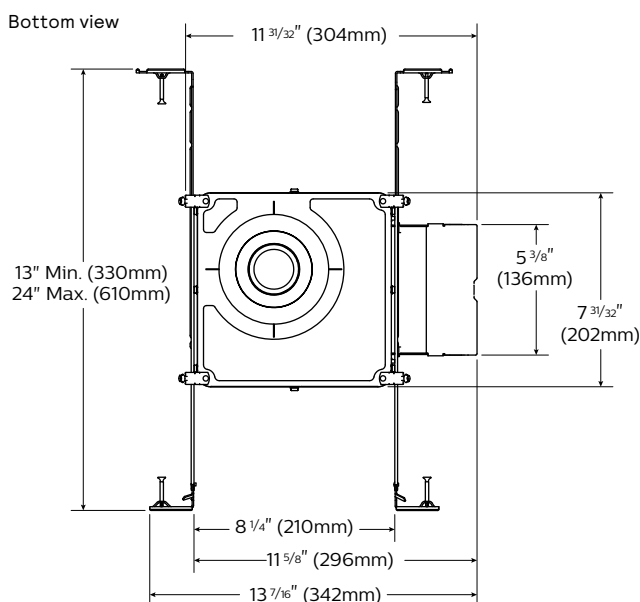


5 year limited warranty
Visit Signify.com/warranties for more information on Signify's standard 5-year limited warranty on complete luminaire systems.

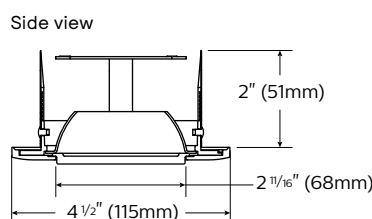
L3RS LyteCaster LED 3" Accent

Round Shower Light

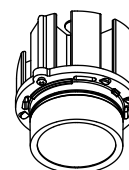
L3NZ10V New construction Non-IC 0-10V frame-in kit



Round trim



Light engine



Features

- Non-IC housing:** #23 ga. (.026") thick Galvanized steel. cULus listed for damp locations. AirSeal housing minimizes air leakage to less than 2CFM at 1.57 PSF (or 75PA), complies with Title 24, International Energy Conservation Code, and Washington State Energy Code (section 502.4) Frame provided with internal access door for inspection of junction box.
- Lower frame and top cover:** #23 ga. (.026") thick Galvanized steel. Accommodates ceilings up to 1" (25.4 mm) thick. Bottom cover provided with a .5" (6.2mm) lip and 4 embossed indicator lines to simplify alignment during installation. Housing can be locked into position on the mounting bars with locking screws.3. **Junction box:** 2 1/2" (64mm) x 5 3/8" (137mm) x 2" (51mm) #21 ga. (.032") thick galvanized steel, cULus listed 90 degrees C rated supply conductors. Rated for branch circuit wiring supplying connected luminaires (daisy chaining).
- Mounting bars:** #16 ga. (.059") thick galvanized steel. Bars pivot for easy attachment and wire in from below the ceiling line. Bars can extend to accommodate 16" (406mm) to 24" (610mm) O.C. joist spacing. Bars can accommodate 12" (305mm) O.C. joist spacing after slight field modification. (see instruction sheet) Features integral self-tapping screw phillips/square drive screws for attachment to wood or metal construction. Attaches to T-bar ceilings without accessories. Bars installed on shortest dimension of frame can be easily rotated 90° from original position.
- Electronic dimming driver:** Class 2 electronic LED driver, RoHS compliant, suitable for damp location. 120/277v 50/60Hz >.9 power factor. MTP (module thermal protection) current cutback up to 10% to prevent overheating. Sound rating Class "A" (<24dB). Complies with FCC, CFR title 47 part 15 Class A for EMI/RFI. Dimming Protocol (0-10v). Dims to less than or equal to 10% of relative high output.
- Ceiling cutout:** 3 3/4" diameter.
- Optics:**
 - Standard: 3SDCM fixture-to-fixture color match.
 - Crisp White (CW30):** Available in 90CRI / 3000K only, our 90CRI CrispWhite technology combines the warm, saturated colors of high CRI with crisp and vibrant whites. The small form factor and high quality of light make this an impactful option for retail display areas.
 - Premium White (PW30):** Available in 90CRI/3000K only, the new benchmark in retail fashion, delivering stronger, brighter whites via the best technology in the market, but with minimal compromise on energy savings.
 - Premium Color (PC30):** Available in 90CRI/3000K only, provides vivid and robust colors that pop while maintaining a strong ambient white and bold black balance in any space. This LED technology is sure to add positive energy to varying application needs.

Electrical

Input voltage: 120/277V
Input frequency: 50/60Hz
Input current: 0.14A/0.06A
Input Power: 16.4W
Power factor: >0.9

Labels

cULus listed suitable for wet locations.

Warranty



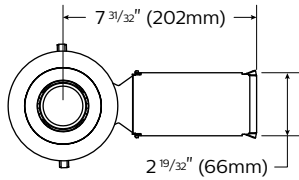
5 year limited warranty
Visit [Signify.com/warranties](https://www.signify.com/warranties) for more information on Signify's standard 5-year limited warranty on complete luminaire systems.

L3RS LyteCaster LED 3" Accent

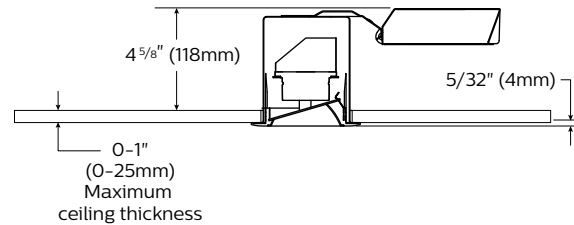
Round Shower Light

L3CE1 Non-IC Remodeler kit

Bottom view

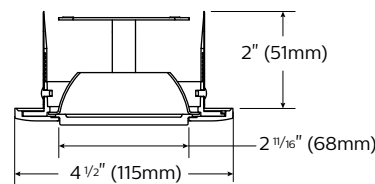


Side view

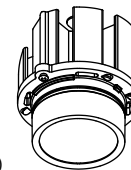


Round trim

Side view



Light engine



Features

- Non-IC housing:** #25 ga. (.025") thick Galvanized steel. Provided with 2 plates steel retaining springs that can accommodate ceiling thickness up to 1" (25.4mm) thick. Philips screw driver required to tighten springs that secure housing to ceiling.
- Junction box:** #22 ga. (.034") thick Galvanized steel. cULus, suitable for damp locations. Junction box assembly swivels for tight plenum spaces. Snap off cover permits wiring access.
- Electronic dimming driver** (same as new construction): Class 2 electronic LED Driver, with less than 1 second start up, RoHS compliant, suitable for damp locations. 120v 50/60Hz >.9 power factor. Sound rating Class "A" (<24dB). Complies with FCC, CFR title 47 part 15 Class B for EMI/RFI. Dimmable with standard electronic low voltage (ELV) & Triac dimmers. Dims to less than or equal to 10% of relative high output. 5 year limited warranty.
- Trim compatibility:** Not compatible with adjustable trims except for L3RG series Gimbals.
- Ceiling cutout** 3 3/4" diameter.

6. Optics:

- Standard: 3SDCM fixture-to-fixture color match.
- Crisp White (CW30):** Available in 90CRI / 3000K only, our 90CRI CrispWhite technology combines the warm, saturated colors of high CRI with crisp and vibrant whites. The small form factor and high quality of light make this an impactful option for retail display areas.
- Premium White (PW30):** Available in 90CRI/3000K only, the new benchmark in retail fashion, delivering stronger, brighter whites via the best technology in the market, but with minimal compromise on energy savings.
- Premium Color (PC30):** Available in 90CRI/3000K only, provides vivid and robust colors that pop while maintaining a strong ambient white and bold black balance in any space. This LED technology is sure to add positive energy to varying application needs.

Electrical

Input voltage: 120V
Input frequency: 50/60Hz
Input current: 0.25A
Input Power: 12W
Power factor: >0.9

Labels

cULus type IC listed suitable for damp location.
AirSeal - Rated for installation in insulated ceilings. Air-tite rated per ASTM E283.
Energy Star qualified configurations available.

Warranty



5 year limited warranty
Visit [Signify.com/warranties](https://www.signify.com/warranties)
for more information on Signify's
standard 5-year limited warranty
on complete luminaire systems.

L3RS LyteCaster LED 3" Accent

Round Shower Light



AccuRender Technology (CRI 90+)

The right light brings colors to life. Our new AccuRender technology helps ensure colors are rendered more accurately and consistently, while doing so as efficiently as CRI 80 products.



Standard CRI 80

Good color rendering and high efficacy



Standard CRI 90

Better color rendering and low efficacy



AccuRender

Best color rendering, color preference and high efficacy

Enjoy design flexibility

Full range of products and options:

- Available soon in across Lightolier portfolio for application flexibility
- Multiple color temperatures (CCTs) and lumen packages offered

Promote savings

High efficacy, with no penalty:

- Energy efficacy compares well to conventional 80 CRI
- Up to 25% more energy savings vs competitor 90 CRI¹
- Helps meet Title 24 requirements

Show your true colors

High color rendering:

- True to life colors to help energize your environment and render better flesh tones critical for healthcare hospitality and retail applications.
- R_a up to 94 CRI • R_f up to 92 TM-30
- R_g up to 67 CRI • R_{r,hi} up to 91 TM-30
- G_s up to 99 CRI • R_g up to 100 TM-30
- C₉ up to 94 CRI • R_{cs,hi} up to -5% TM-30

Achieve color balance

Best in class color consistency:

- Promote aesthetic harmony in your space with ≤ 2 SDCM

Electrical Specifications

Frame-in kit	Input Volts	Input Frequency	Input Current	LED Drive Current	Input Power	LED Power	THD Factor @ Max Load	Power Factor @ Max Load
L3AE1	120V	50/60Hz	0.075A	0.22A	9.0W	7.4W	<15%	>0.9
L3ANE1	120V	50/60Hz	0.075A	0.22A	9.0W	7.4W	<15%	>0.9
L3CE1	120V	50/60Hz	0.075A	0.22A	9.0W	7.4W	<15%	>0.9
L3NZ10U	120V	50/60Hz	0.073A	0.22A	8.8W	7.4W	<10%	>0.9
	277V	50/60Hz	0.033A	0.22A	9.0W	7.4W	<10%	>0.9
L3CZ10U	120V	50/60Hz	0.081A	0.22A	9.7W	7.4W	<10%	>0.9
	277V	50/60Hz	0.035A	0.22A	9.7W	7.4W	<10%	>0.9

Dimming Compatibility

Philips Sunrise: **SR1200ZTUNV**
 Leviton Illumatech: **IPX06**
 Leviton Decora: **6615-P, 6633-P**
 Lutron Diva: **DVLEV-303P**
 Lutron Skylark: **SLEV-300P**
 Lutron Maestro: **MAELV-600, MAW-600**

Electronic dimming driver:

Class 2 electronic LED Driver, with less than 1 second start up, RoHS compliant, suitable for damp locations. 120v 50/06Hz >.9 power factor. Sound rating Class "A" (<24dB). Complies with FCC,CFR title 47 part 15 Class B for EMI/RFI. Dimmable with standard electronic low voltage (ELV) & Triac dimmers. Dims to less than or equal to 10% of relative high output. 5 year limited warranty.

L3RS LyteCaster LED 3" Accent

Round Shower Light

Shower Light, Spot beam, 690lm engine, 77lm/W at 9W

Candela Curve		Frame: L3NZ10U Engine: L308935S Trim: L3RSW	Angle	Mean CP	Lms	Zonal lumens & percentages			Single unit data			
						Zone	Lumens	%Luminaire	Height to lighted plane	Initial center beam foot-candles	Beam dia. (ft)*	
213		Output Lms: 689lms	0	834		0-30	388	56.3%	5'	33	3.4'	
		Input Watts: 8.9W	5	798		0-40	501	72.7%	6'	23	4.1'	
		CCT: 3500K	10	699	73	0-60	624	90.6%	7'	17	4.8'	
425			CRI: 90min	25	336		0-90	689	100.0%	8'	13	5.4'
		Beam Angle: 43°	30	248	155				9'	10	6.1'	
		Spacing Crit.: 0.68	35	178								
638			Efficacy: 77.4lm/w	40	130	113						
		Report: L308935S-L3RSA.ies	45	95								
			50	71	74							
850			55	54								
			60	43	49							
			65	34								
			70	27	34							
			75	20								
			80	15	22							
			85	8								
			90	0	9							

* Beam diameter is where foot-candles drop to 50% of maximum.

Shower Light, Narrow Flood beam, 700lm engine, 79lm/W at 9W

Candela Curve		Frame: L3NZ10U Engine: L308935NF Trim: L3RSW	Angle	Mean CP	Lms	Zonal lumens & percentages			Single unit data			
						Zone	Lumens	%Luminaire	Height to lighted plane	Initial center beam foot-candles	Beam dia. (ft)*	
200		Output Lms: 703lms	0	799		0-30	386	54.9%	5'	32	3.5'	
		Input Watts: 8.9W	5	767		0-40	504	71.7%	6'	22	4.2'	
		CCT: 3500K	10	680	70	0-60	636	90.5%	7'	16	4.9'	
400			CRI: 90min	25	341		0-90	703	100.0%	8'	12	5.6'
		Beam Angle: 44°	30	255	158				9'	10	6.3'	
		Spacing Crit.: 0.7	35	186								
600			Efficacy: 79.0lm/w	40	136	118						
		Report: L308935NF-L3RDD.ies	45	101								
			50	75	79							
800			55	58								
			60	45	53							
			65	36								
			70	28	36							
			75	21								
			80	15	23							
			85	9								
			90	0	9							

* Beam diameter is where foot-candles drop to 50% of maximum.

Shower Light, Flood beam, 720lm engine, 81lm/W at 9W

Candela Curve		Frame: L3NZ10U Engine: L308935F Trim: L3RSW	Angle	Mean CP	Lms	Zonal lumens & percentages			Single unit data			
						Zone	Lumens	%Luminaire	Height to lighted plane	Initial center beam foot-candles	Beam dia. (ft)*	
200		Output Lms: 907lms	0	721		0-30	378	52.4%	5'	29	3.8'	
		Input Watts: 8.9W	5	697		0-40	505	69.9%	6'	20	4.6'	
		CCT: 3500K	10	632	64	0-60	649	89.9%	7'	15	5.3'	
400			CRI: 90min	25	352		0-90	722	100.0%	8'	11	6.1'
		Beam Angle: 34°	30	271	162				9'	9	6.8'	
		Spacing Crit.: 0.56	35	201								
600			Efficacy: 98.0lm/w	40	150	127						
		Report: L308935F-L3RDD.ies	45	111								
			50	82	87							
800			55	63								
			60	49	57							
			65	39								
			70	30	38							
			75	23	24							
			80	16								
			85	10								
			90	0	10							

* Beam diameter is where foot-candles drop to 50% of maximum.

1. Wattage: controlled to within 5%.
2. Correlated Color Temperature within specs as defined in ANSI_NEMA_ANSI C78.377-2008: Specifications for the Chromaticity of Solid State Lighting Products.
3. Tested using absolute photometry as specified in LM79: IESNA Approved Method for the Electrical and Photometric Measurements of Solid-State Lighting Products.



© 2024 Signify Holding. All rights reserved. The information provided herein is subject to change, without notice. Signify does not give any representation or warranty as to the accuracy or completeness of the information included herein and shall not be liable for any action in reliance thereon. The information presented in this document is not intended as any commercial offer and does not form part of any quotation or contract, unless otherwise agreed by Signify.

Signify North America Corporation
400 Crossing Blvd, Suite 600
Bridgewater, NJ 08807
Telephone: 800-555-0050

Signify Canada Ltd.
281 Hillmount Road,
Markham, ON, Canada L6C 2S3
Telephone: 800-668-9008

All trademarks are owned by Signify Holding or their respective owners.