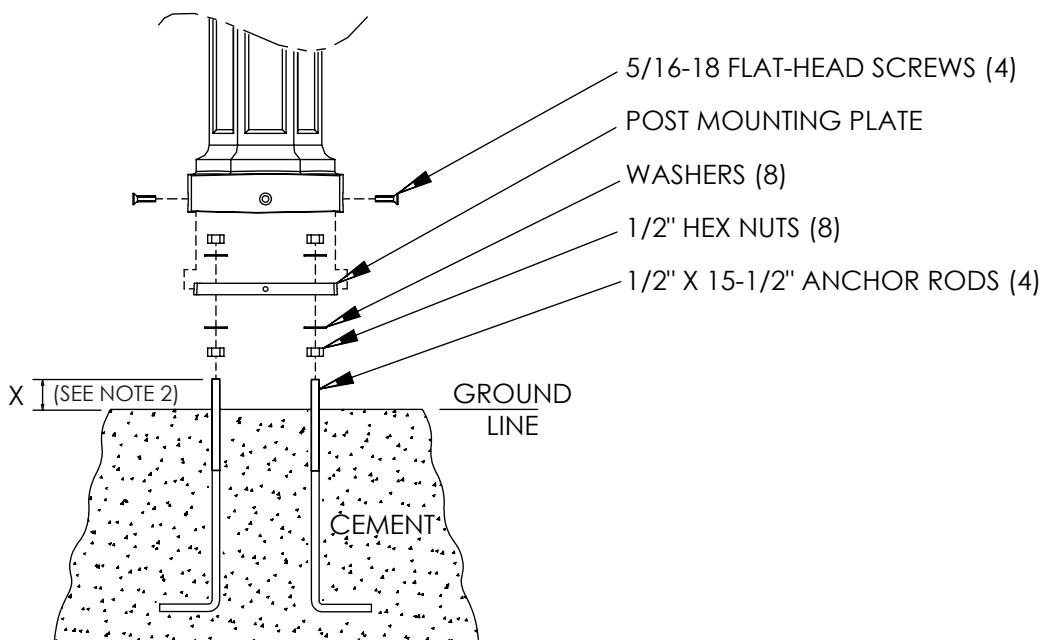


**VERIFY BOLD LINE IS 8" LONG**

**NOTES:**

1. SUGGESTED BOLT CIRCLE: 8" DIAMETER
2. PHILIPS STRONGLY RECOMMENDS USING LEVELING NUTS TO MOUNT THE POST BASE. IF FOUNDATION IS NOT LEVEL, INCREASE "X" DIMENSION ACCORDINGLY WHEN USING LEVELING NUTS WITH WASHERS.  
  
X = 2 1/4" WITH LEVELING NUTS  
X = 1 1/2" WITHOUT LEVELING NUTS
3. IF USING GROUTING TO CONCEAL GAP BETWEEN BASE AND FOUNDATION, ALLOW FOR WATER DRAINAGE.



	<p><b>CONFIDENTIAL:</b> This drawing is confidential and proprietary to Signify Holdings and may not be reproduced in whole or in part without the express written consent of Signify Holdings. © 2018 Signify Holdings. All rights reserved.</p>		<p>TITLE: TEMP,AR,OB361/TB361</p>	
	<p>UNLESS OTHERWISE SPECIFIED: *ALL DIMENSIONS ARE IN INCHES. *ALL THREADS ARE UNC-2B OR UNF-2B AFTER COATING. *ALL THREADS ARE TO BE VERIFIED WITH A THREAD GAGE.</p>	<p>DRW SIZE: B</p>	<p>DRAWN BY: E. ANDERSON</p>	<p>DATE: 5/16/02</p>
<p>* DO NOT SCALE THIS DRAWING *</p>	<p>EF-04-01-11 Rev.09</p>	<p>CHECKED BY: WHD</p>	<p>DATE: 8/21/08</p>	<p>PART NO: T01000436</p>
<p>SCALE 1:1</p>	<p>SHEET 1 OF 1</p>	<p>APPR BY: E. HADDAD</p>	<p>DATE: 5/16/02</p>	