



LumeC OmniScape LED arm mount is the latest solution for high-performance lighting in any urban setting. With contemporary, transitional and historical style options, as well as single and dual arm configurations, this luminaire is versatile and adaptable to any environment. It features a precision and comfort light engine, which provides exceptional efficacy and glare control, ensuring comfortable and efficient illumination.

Project: \_\_\_\_\_  
 Location: \_\_\_\_\_  
 Cat.No: \_\_\_\_\_  
 Type: \_\_\_\_\_  
 Qty: \_\_\_\_\_  
 Notes: \_\_\_\_\_

### Ordering guide

example: S-OSAC-C-35WLED-730-G1-2F-UNV-DMG-TLRD7-PH8S-BKTX

| Series   | LED module  | CRI CCT                             | Gen.       | Optical System   | Voltage                            | Driver  | Options  |  |  |  | Arm mounting (shipped separately) |                                   |  | Finish   |
|--|---|-------------------------------------|------------|--|------------------------------------|---|--|--|--|--|-----------------------------------|-----------------------------------|--|--|
|  |   |                                     |            |  |                                    |   | Receptacle   | Control  | Luminaire  | Deco.  | Bracket                           | Arm                               | Interface                                    |  |
| S-OSAC-C<br>OmniScape LED arm mount luminaire with Contemporary luminaire<br>Roof with high performance comfort optics<br>S-OSAT-C<br>OmniScape LED arm mount luminaire with Transitional<br>Roof with high performance comfort optics<br>S-OSAH-C<br>OmniScape LED arm mount luminaire with Historical<br>Roof with high performance comfort optics | 15WLED <sup>1,2</sup><br>1,500 lumen  | 727 <sup>11</sup><br>70CRI<br>2700K | G1<br>Gen1 | 2<br>Type II (ASYM)<br>3<br>Type III (ASYM)<br>4<br>Type IV (ASYM)<br>5<br>Type (SYMM) | UNV<br>120-277V<br>HVU<br>347-480V | D4I <sup>3</sup><br>Zhaga-D4i certified<br>DALI<br>Digitally addressable lighting interface<br>DMG<br>0-10V<br>SRD<br>Sensor ready driver | TLRD7 <sup>4</sup><br>7-Pin receptacle for photoelectric cell            | Photoelectric Cell (add "S" for S-OSAC) <sup>7</sup>   | BAC <sup>8</sup><br>Meets the requirements of the Buy American Act of 1933 (BAA)<br>FAWS <sup>1,9</sup><br>Field adj. wattage selector<br>SP2<br>20kV/10kA Surge Protector | Deco. Finials <sup>10</sup><br>FN1<br>FN2<br>FN3<br>FN4<br>FN5<br>FN6<br>FN7<br>FN8<br>FN9<br>FN10<br>FN11 | For contemporary bracket (OSC)    |                                   |  | Textured Finishes<br>BE2TX Midnight Blue<br>BE6TX Ocean Blue<br>BE8TX Royal Blue<br>BG2TX Sandstone Gold<br>BKTX Black<br>BRTX Bronze<br>GN4TX Blue Green<br>GN6TX Forest Green<br>GN8TX Dark Forest Green<br>GNTX Green<br>GY3TX Medium Grey<br>RD2TX Burgundy<br>RD4TX Scarlet<br>WHTX White<br>Others<br>GR Gray Sandtex<br>NP Natural Alum<br>TG Hammer-tone Gold<br>TS Hammer-tone Silver |
|  | PH8 (PH8S)<br>Twist-lock UNV (120-277VAC)<br>PH8/347 (PH8/347S)<br>Twist-lock (347VAC)<br>PH8/480 (PH8/480S)<br>Twist-lock (480VAC)<br>PH9 (PH9S)<br>Shorting Cap<br>PHXL (PHXLS)<br>Extended life UNV (120-277VAC) | OSC<br>OmniScape contemporary       |            |  |                                    |   | 1A<br>Single arm<br>2<br>Dual arm  | For 4" (102mm) round poles<br>R4B<br>For 0.156" (4mm) wall thickness<br>R4D<br>For 0.120" (3mm) wall thickness<br>R4F<br>For 0.125" (3mm) wall thickness<br>R4N<br>For 0.188" (5mm) wall thickness<br>R4U<br>For 0.226" (7mm) wall thickness<br>R4V<br>For 0.250" (6mm) wall thickness<br>R4W<br>For 0.318" (8mm) wall thickness |  |  |                                   |                                   |  |  |
|  | TLRSR <sup>6</sup><br>SR receptacle   | OMS<br>Outdoor Multi-Sensor         |            |  |                                    |   |  |  |  |  |                                   |                                   |  |  |
|  |   |                                     |            |  |                                    |   | Microwave Motion Sensor <sup>12</sup>                                    |  |  |  | For transitional bracket (OST)    |                                   |  |  |
|  |   |                                     |            |  |                                    |   | MW10<br>Dim 10%<br>MW20<br>Dim 20%<br>MW30<br>Dim 30%<br>MW50<br>Dim 50% |  |  |  | OST<br>OmniScape transitional     | 1A<br>Single arm<br>2<br>Dual arm | For 4" (102mm) round poles<br>R4<br>Standard |  |

- Only available with DMG Driver options.
- Only available with UNV Voltage option.
- TLRSR must be selected this option.
- Use of photoelectric cell or shorting cap is required to ensure proper illumination.
- Not available with HVU voltage option.
- Not available with DALI/DMG Driver options.
- TLRD7 must be selected for this option. If used, photoelectric cell selection must be compatible with selected Voltage option. When selecting S-OSAC-C roof, IP66 photoelectric cell or shorting cap must be used to preserve IP66 rating of luminaire.
- Failure to properly select the "BAC" suffix could result in you receiving product that is not BAA compliant product with no recourse for an RMA or refund. This BAC designation hereunder does not address (i) the applicability of, or availability of a waiver under, the Trade Agreements Act, or (ii) the "Buy America" domestic content requirements imposed on states, localities, and other non-federal entities as a condition of receiving funds administered by the Department of Transportation or other federal agencies.
- Not available with TLRD7 Receptacle option.
- Finials (FNx) Decorative options are not available with S-OSAC Roof.
- Longer lead time applies. Consult factory.
- Only available with UNV 120-277V. Recommended maximum mounting height 15ft (4.6m).



# S-OSA-C OmniScape

## LED Urban Arm Mount with ComfortEdge technology

### Predicted Lumen Depreciation Data

Derived from LED manufacturer's data and engineering design estimates, based on IESNA LM-80 methodology. Actual experience may vary due to field application conditions. L70 is the predicted time when LED performance depreciates to 70% of initial lumen output. Calculated per IESNA TM21-21.

| Ambient Temperature | Driver mA | Calculated L70 hours | L70 per TM-21 | Lumen Maintenance % @ 60,000 hrs |
|---------------------|-----------|----------------------|---------------|----------------------------------|
| 25°C                | 800 mA    | 181,000              | >84,000 hrs   | 95.56%                           |



### Field Adjustable Wattage (FAWS) Multiplier Chart

HPCLE 15WLED to 105WLED

| FAWS Position | Typical Delivered Lumens Multiplier | Typical System wattage |
|---------------|-------------------------------------|------------------------|
| 1             | 0.295                               | 0.316                  |
| 2             | 0.485                               | 0.511                  |
| 3             | 0.565                               | 0.585                  |
| 4             | 0.607                               | 0.641                  |
| 5             | 0.710                               | 0.718                  |
| 6             | 0.764                               | 0.772                  |
| 7             | 0.820                               | 0.828                  |
| 8             | 0.863                               | 0.867                  |
| 9             | 0.907                               | 0.905                  |
| 10            | 1.000                               | 1.000                  |

Note: Typical value accuracy +/- 5%

HPCLE 115WLED to 155WLED

| FAWS Position | Typical Delivered Lumens Multiplier | Typical System wattage |
|---------------|-------------------------------------|------------------------|
| 1             | 0.160                               | 0.128                  |
| 2             | 0.278                               | 0.272                  |
| 3             | 0.334                               | 0.336                  |
| 4             | 0.423                               | 0.432                  |
| 5             | 0.479                               | 0.492                  |
| 6             | 0.544                               | 0.559                  |
| 7             | 0.604                               | 0.619                  |
| 8             | 0.666                               | 0.683                  |
| 9             | 0.731                               | 0.749                  |
| 10            | 1.000                               | 1.000                  |

Note: Typical value accuracy +/- 5%

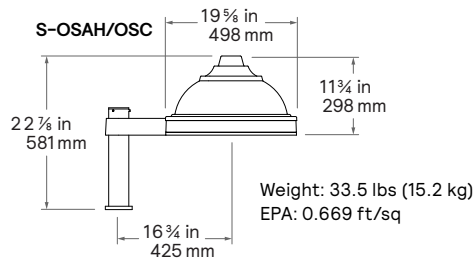
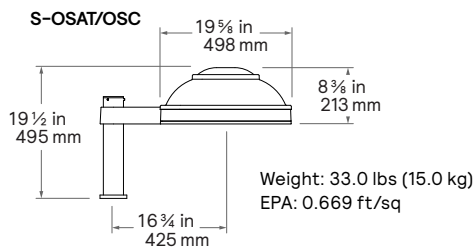
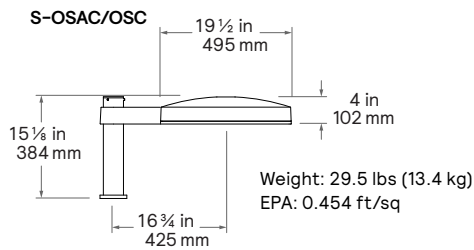
# S-OSA-C OmniScape

## LED Urban Arm Mount with ComfortEdge technology

### Contemporary Arm



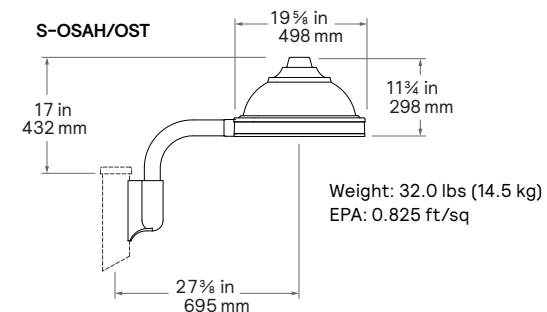
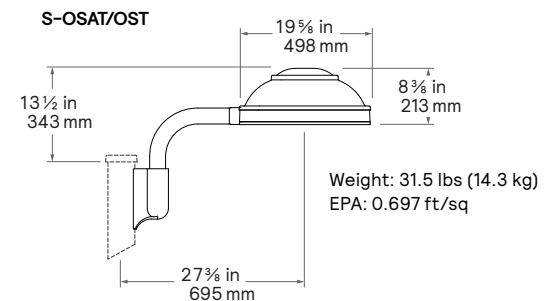
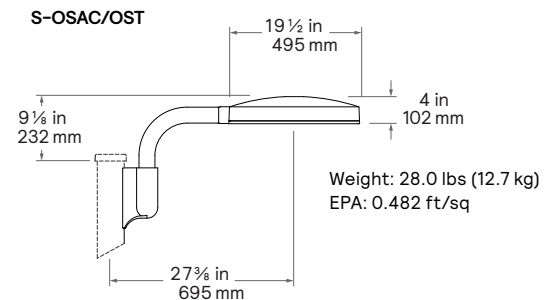
### Dimensions for Contemporary arm



### Transitional Arm



### Dimensions for Transitional arm



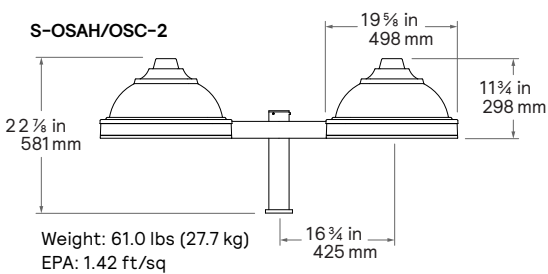
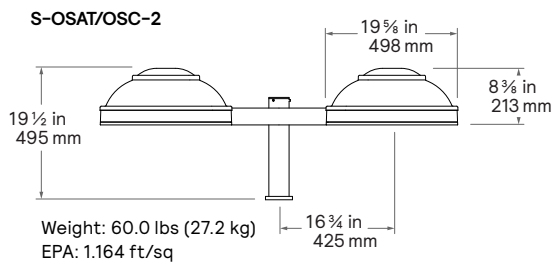
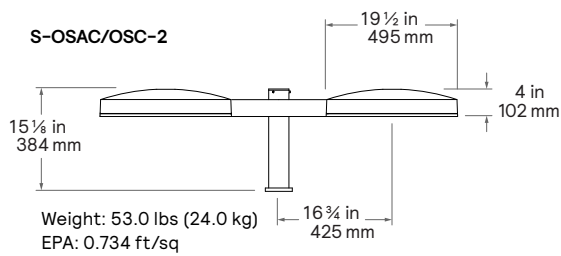
# S-OSA-C OmniScape

## LED Urban Arm Mount with ComfortEdge technology

### Contemporary Arm



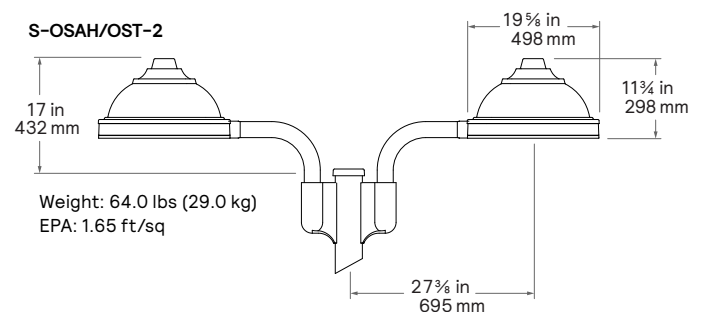
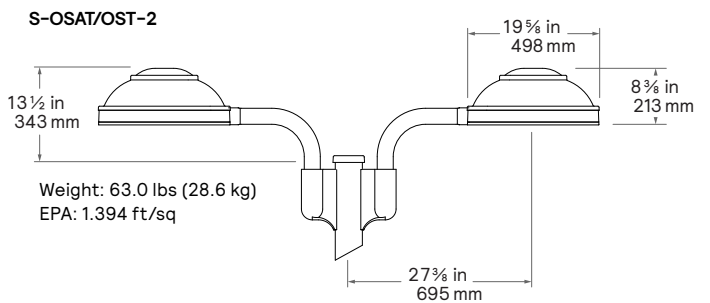
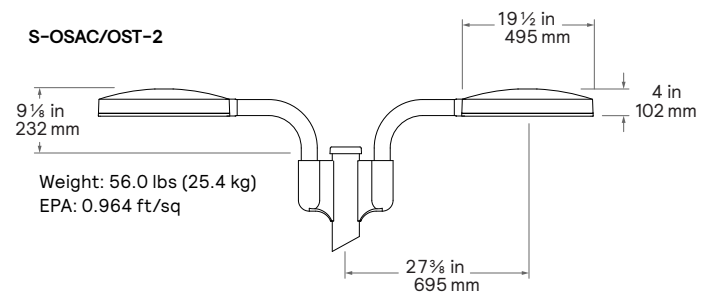
#### Dimensions for Contemporary arm



### Transitional Arm



#### Dimensions for Transitional arm



# S-OSA-C OmniScape

## LED Urban Arm Mount with ComfortEdge technology

### Standard Performance Lumen Values – 70CRI

| Ordering Code        | System Current (mA) | Avg. System Watts (W) | Type 2       |            |              | Type 3       |            |              | Type 4       |            |              | Type 5       |            |              |
|----------------------|---------------------|-----------------------|--------------|------------|--------------|--------------|------------|--------------|--------------|------------|--------------|--------------|------------|--------------|
|                      |                     |                       | Lumen Output | BUG Rating | Effic. (LPW) | Lumen Output | BUG Rating | Effic. (LPW) | Lumen Output | BUG Rating | Effic. (LPW) | Lumen Output | BUG Rating | Effic. (LPW) |
| <b>2200K / 70CRI</b> |                     |                       |              |            |              |              |            |              |              |            |              |              |            |              |
| 15WLED-722-G1        | 335                 | 14.4                  | 1735         | B1-U0-G1   | 120.4        | 1642         | B1-U0-G1   | 114.0        | 1807         | B1-U0-G1   | 125.4        | 1473         | B1-U0-G1   | 103.0        |
| 25WLED-722-G1        | 565                 | 24.4                  | 2929         | B1-U0-G1   | 120.3        | 2773         | B1-U0-G1   | 113.8        | 3050         | B1-U0-G1   | 125.2        | 2503         | B2-U0-G1   | 103.9        |
| 35WLED-722-G1        | 775                 | 34.4                  | 4048         | B2-U0-G2   | 117.7        | 3832         | B2-U0-G2   | 111.4        | 4215         | B2-U0-G2   | 122.5        | 3461         | B2-U0-G2   | 100.6        |
| 50WLED-722-G1        | 1100                | 48.5                  | 5559         | B2-U0-G2   | 114.6        | 5262         | B2-U0-G2   | 108.5        | 5789         | B2-U0-G2   | 119.4        | 4860         | B3-U0-G2   | 101.3        |
| 60WLED-722-G1        | 1370                | 59.4                  | 6843         | B2-U0-G3   | 115.1        | 6476         | B2-U0-G2   | 109.0        | 7125         | B2-U0-G2   | 119.9        | 6084         | B3-U0-G2   | 102.4        |
| 75WLED-722-G1        | 1715                | 74.5                  | 8391         | B3-U0-G3   | 112.6        | 7941         | B3-U0-G3   | 106.6        | 8737         | B3-U0-G3   | 117.3        | 7369         | B3-U0-G3   | 98.9         |
| 105WLED-722-G1       | 2350                | 104.0                 | 11052        | B3-U0-G3   | 106.3        | 10460        | B3-U0-G3   | 100.6        | 11508        | B3-U0-G3   | 110.7        | 10109        | B4-U0-G3   | 99.1         |
| 115WLED-722-G1       | 1260                | 114.5                 | 11747        | B3-U0-G3   | 102.6        | 11118        | B3-U0-G3   | 97.1         | 12232        | B3-U0-G3   | 106.8        | 10617        | B4-U0-G3   | 92.7         |
| 135WLED-722-G1       | 1485                | 134.2                 | 13390        | B3-U0-G3   | 99.8         | 12673        | B3-U0-G3   | 94.5         | 13942        | B3-U0-G3   | 103.9        | 12350        | B4-U0-G3   | 91.5         |
| 155WLED-722-G1       | 1695                | 154.4                 | 14808        | B3-U0-G3   | 95.9         | 14015        | B3-U0-G3   | 90.8         | 15419        | B3-U0-G3   | 99.9         | 13678        | B4-U0-G3   | 88.8         |
| <b>2700K / 70CRI</b> |                     |                       |              |            |              |              |            |              |              |            |              |              |            |              |
| 15WLED-727-G1        | 335                 | 14.4                  | 1898         | B1-U0-G1   | 131.7        | 1796         | B1-U0-G1   | 124.6        | 1976         | B1-U0-G1   | 137.1        | 1611         | B1-U0-G1   | 112.7        |
| 25WLED-727-G1        | 565                 | 24.4                  | 3204         | B1-U0-G2   | 131.5        | 3033         | B1-U0-G1   | 124.5        | 3336         | B1-U0-G2   | 137.0        | 2738         | B2-U0-G1   | 113.6        |
| 35WLED-727-G1        | 775                 | 34.4                  | 4428         | B2-U0-G2   | 128.7        | 4191         | B2-U0-G2   | 121.8        | 4611         | B2-U0-G2   | 134.0        | 3786         | B2-U0-G2   | 110.1        |
| 50WLED-727-G1        | 1100                | 48.5                  | 6081         | B2-U0-G2   | 125.4        | 5755         | B2-U0-G2   | 118.7        | 6332         | B2-U0-G2   | 130.6        | 5316         | B3-U0-G2   | 110.8        |
| 60WLED-727-G1        | 1370                | 59.4                  | 7485         | B3-U0-G3   | 125.9        | 7084         | B3-U0-G3   | 119.2        | 7794         | B2-U0-G3   | 131.1        | 6655         | B3-U0-G2   | 112.0        |
| 75WLED-727-G1        | 1715                | 74.5                  | 9178         | B3-U0-G3   | 123.2        | 8686         | B3-U0-G3   | 116.6        | 9557         | B3-U0-G3   | 128.3        | 8061         | B3-U0-G3   | 108.2        |
| 105WLED-727-G1       | 2350                | 104.0                 | 12089        | B3-U0-G3   | 116.2        | 11442        | B3-U0-G3   | 110.0        | 12588        | B3-U0-G3   | 121.0        | 11058        | B4-U0-G3   | 108.4        |
| 115WLED-727-G1       | 1260                | 114.5                 | 12849        | B3-U0-G3   | 112.2        | 12161        | B3-U0-G3   | 106.2        | 13380        | B3-U0-G3   | 116.9        | 11613        | B4-U0-G3   | 101.4        |
| 135WLED-727-G1       | 1485                | 134.2                 | 14646        | B3-U0-G3   | 109.2        | 13862        | B3-U0-G3   | 103.3        | 15250        | B3-U0-G3   | 113.7        | 13509        | B4-U0-G3   | 100.1        |
| 155WLED-727-G1       | 1695                | 154.4                 | 16198        | B3-U0-G4   | 104.9        | 15330        | B3-U0-G3   | 99.3         | 16866        | B3-U0-G4   | 109.2        | 14961        | B4-U0-G3   | 97.1         |
| <b>3000K / 70CRI</b> |                     |                       |              |            |              |              |            |              |              |            |              |              |            |              |
| 15WLED-730-G1        | 335                 | 14.4                  | 2039         | B1-U0-G1   | 141.5        | 1930         | B1-U0-G1   | 133.9        | 2123         | B1-U0-G1   | 147.3        | 1731         | B1-U0-G1   | 121.0        |
| 25WLED-730-G1        | 565                 | 24.4                  | 3442         | B1-U0-G2   | 141.3        | 3258         | B1-U0-G1   | 133.7        | 3584         | B1-U0-G2   | 147.1        | 2941         | B2-U0-G1   | 122.1        |
| 35WLED-730-G1        | 775                 | 34.4                  | 4757         | B2-U0-G2   | 138.3        | 4502         | B2-U0-G2   | 130.9        | 4953         | B2-U0-G2   | 144.0        | 4067         | B3-U0-G2   | 118.2        |
| 50WLED-730-G1        | 1100                | 48.5                  | 6532         | B2-U0-G2   | 134.7        | 6182         | B2-U0-G2   | 127.5        | 6802         | B2-U0-G2   | 140.2        | 5711         | B3-U0-G2   | 119.0        |
| 60WLED-730-G1        | 1370                | 59.4                  | 8040         | B3-U0-G3   | 135.3        | 7610         | B3-U0-G3   | 128.0        | 8372         | B3-U0-G3   | 140.8        | 7149         | B3-U0-G2   | 120.3        |
| 75WLED-730-G1        | 1715                | 74.5                  | 9859         | B3-U0-G3   | 132.3        | 9331         | B3-U0-G3   | 125.2        | 10266        | B3-U0-G3   | 137.8        | 8659         | B3-U0-G3   | 116.2        |
| 105WLED-730-G1       | 2350                | 104.0                 | 12986        | B3-U0-G3   | 124.9        | 12291        | B3-U0-G3   | 118.2        | 13522        | B3-U0-G3   | 130.0        | 11878        | B4-U0-G3   | 116.5        |
| 115WLED-730-G1       | 1260                | 114.5                 | 13803        | B3-U0-G3   | 120.5        | 13064        | B3-U0-G3   | 114.1        | 14373        | B3-U0-G3   | 125.5        | 12475        | B4-U0-G3   | 108.9        |
| 135WLED-730-G1       | 1485                | 134.2                 | 15733        | B3-U0-G4   | 117.3        | 14890        | B3-U0-G3   | 111.0        | 16382        | B3-U0-G3   | 122.1        | 14511        | B4-U0-G3   | 107.5        |
| 155WLED-730-G1       | 1695                | 154.4                 | 17400        | B3-U0-G4   | 112.7        | 16468        | B3-U0-G3   | 106.7        | 18118        | B3-U0-G4   | 117.3        | 16071        | B4-U0-G3   | 104.4        |
| <b>4000K / 70CRI</b> |                     |                       |              |            |              |              |            |              |              |            |              |              |            |              |
| 15WLED-740-G1        | 335                 | 14.4                  | 2107         | B1-U0-G1   | 146.2        | 1994         | B1-U0-G1   | 138.4        | 2194         | B1-U0-G1   | 152.2        | 1789         | B1-U0-G1   | 125.1        |
| 25WLED-740-G1        | 565                 | 24.4                  | 3557         | B1-U0-G2   | 146.0        | 3367         | B2-U0-G2   | 138.2        | 3704         | B1-U0-G2   | 152.1        | 3039         | B2-U0-G1   | 126.2        |
| 35WLED-740-G1        | 775                 | 34.4                  | 4916         | B2-U0-G2   | 142.9        | 4653         | B2-U0-G2   | 135.3        | 5119         | B2-U0-G2   | 148.8        | 4203         | B3-U0-G2   | 122.2        |
| 50WLED-740-G1        | 1100                | 48.5                  | 6751         | B2-U0-G3   | 139.2        | 6389         | B2-U0-G2   | 131.7        | 7029         | B2-U0-G2   | 144.9        | 5902         | B3-U0-G2   | 123.0        |
| 60WLED-740-G1        | 1370                | 59.4                  | 8309         | B3-U0-G3   | 139.8        | 7864         | B3-U0-G3   | 132.3        | 8652         | B3-U0-G3   | 145.6        | 7388         | B3-U0-G3   | 124.4        |
| 75WLED-740-G1        | 1715                | 74.5                  | 10189        | B3-U0-G3   | 136.8        | 9643         | B3-U0-G3   | 129.4        | 10610        | B3-U0-G3   | 142.4        | 8949         | B3-U0-G3   | 120.1        |
| 105WLED-740-G1       | 2350                | 104.0                 | 13421        | B3-U0-G3   | 129.0        | 12702        | B3-U0-G3   | 122.1        | 13975        | B3-U0-G3   | 134.4        | 12276        | B4-U0-G3   | 120.4        |
| 115WLED-740-G1       | 1260                | 114.5                 | 14265        | B3-U0-G3   | 124.6        | 13501        | B3-U0-G3   | 117.9        | 14854        | B3-U0-G3   | 129.7        | 12892        | B4-U0-G3   | 112.6        |
| 135WLED-740-G1       | 1485                | 134.2                 | 16260        | B3-U0-G4   | 121.2        | 15389        | B3-U0-G3   | 114.7        | 16931        | B3-U0-G4   | 126.2        | 14997        | B4-U0-G3   | 111.1        |
| 155WLED-740-G1       | 1695                | 154.4                 | 17982        | B3-U0-G4   | 116.5        | 17019        | B4-U0-G4   | 110.2        | 18724        | B3-U0-G4   | 121.3        | 16609        | B4-U0-G4   | 107.9        |

Actual performance may vary due to installation variables including optics, mounting/ceiling height, dirt depreciation, light loss factor, etc.; highly recommended to confirm performance with a layout - contact Applications at [signify.com/outdoorluminaires](http://signify.com/outdoorluminaires). Consult DLC QPL to confirm your specific fixture selection is DLC approved. Note: Some data may be scaled based on tests of similar but not identical luminaires.

# S-OSA-C OmniScape

## LED Urban Arm Mount with ComfortEdge technology

### Standard Performance Lumen Values – 80CRI

| Ordering Code        | System Current (mA) | Avg. System Watts (W) | Type 2       |            |              | Type 3       |            |              | Type 4       |            |              | Type 5       |            |              |
|----------------------|---------------------|-----------------------|--------------|------------|--------------|--------------|------------|--------------|--------------|------------|--------------|--------------|------------|--------------|
|                      |                     |                       | Lumen Output | BUG Rating | Effic. (LPW) | Lumen Output | BUG Rating | Effic. (LPW) | Lumen Output | BUG Rating | Effic. (LPW) | Lumen Output | BUG Rating | Effic. (LPW) |
| <b>2200K / 80CRI</b> |                     |                       |              |            |              |              |            |              |              |            |              |              |            |              |
| 15WLED-822-G1        | 335                 | 14.4                  | 1596         | B1-U0-G1   | 110.7        | 1510         | B1-U0-G1   | 104.8        | 1661         | B1-U0-G1   | 115.3        | 1394         | B1-U0-G1   | 97.5         |
| 25WLED-822-G1        | 565                 | 24.4                  | 2694         | B1-U0-G1   | 110.6        | 2550         | B1-U0-G1   | 104.7        | 2805         | B1-U0-G1   | 115.1        | 2302         | B2-U0-G1   | 95.5         |
| 35WLED-822-G1        | 775                 | 34.4                  | 3723         | B2-U0-G2   | 108.2        | 3524         | B2-U0-G2   | 102.4        | 3877         | B1-U0-G2   | 112.7        | 3183         | B2-U0-G1   | 92.5         |
| 50WLED-822-G1        | 1100                | 48.5                  | 5112         | B2-U0-G2   | 105.4        | 4839         | B2-U0-G2   | 99.8         | 5323         | B2-U0-G2   | 109.8        | 4470         | B3-U0-G2   | 93.1         |
| 60WLED-822-G1        | 1370                | 59.4                  | 6293         | B2-U0-G2   | 105.9        | 5956         | B2-U0-G2   | 100.2        | 6552         | B2-U0-G2   | 110.2        | 5595         | B3-U0-G2   | 94.2         |
| 75WLED-822-G1        | 1715                | 74.5                  | 7716         | B3-U0-G3   | 103.6        | 7303         | B3-U0-G3   | 98.0         | 8035         | B3-U0-G3   | 107.8        | 6777         | B3-U0-G2   | 91.0         |
| 105WLED-822-G1       | 2350                | 104.0                 | 10164        | B3-U0-G3   | 97.7         | 9620         | B3-U0-G3   | 92.5         | 10583        | B3-U0-G3   | 101.8        | 9297         | B3-U0-G3   | 91.1         |
| 115WLED-822-G1       | 1260                | 114.5                 | 10803        | B3-U0-G3   | 94.3         | 10224        | B3-U0-G3   | 89.3         | 11249        | B3-U0-G3   | 98.2         | 9763         | B4-U0-G3   | 85.3         |
| 135WLED-822-G1       | 1485                | 134.2                 | 12313        | B3-U0-G3   | 91.8         | 11654        | B3-U0-G3   | 86.9         | 12822        | B3-U0-G3   | 95.6         | 11357        | B4-U0-G3   | 84.1         |
| 155WLED-822-G1       | 1695                | 154.4                 | 13618        | B3-U0-G3   | 88.2         | 12889        | B3-U0-G3   | 83.5         | 14180        | B3-U0-G3   | 91.8         | 12578        | B4-U0-G3   | 81.7         |
| <b>2700K / 80CRI</b> |                     |                       |              |            |              |              |            |              |              |            |              |              |            |              |
| 15WLED-827-G1        | 335                 | 14.4                  | 1801         | B1-U0-G1   | 125.0        | 1705         | B1-U0-G1   | 118.3        | 1876         | B1-U0-G1   | 130.2        | 1529         | B1-U0-G1   | 106.9        |
| 25WLED-827-G1        | 565                 | 24.4                  | 3041         | B1-U0-G2   | 124.8        | 2878         | B1-U0-G1   | 118.2        | 3167         | B1-U0-G1   | 130.0        | 2599         | B2-U0-G1   | 107.9        |
| 35WLED-827-G1        | 775                 | 34.4                  | 4203         | B2-U0-G2   | 122.2        | 3978         | B2-U0-G2   | 115.6        | 4377         | B2-U0-G2   | 127.2        | 3593         | B2-U0-G2   | 104.5        |
| 50WLED-827-G1        | 1100                | 48.5                  | 5772         | B2-U0-G2   | 119.0        | 5463         | B2-U0-G2   | 112.6        | 6010         | B2-U0-G2   | 123.9        | 5046         | B3-U0-G2   | 105.1        |
| 60WLED-827-G1        | 1370                | 59.4                  | 7104         | B2-U0-G3   | 119.5        | 6724         | B3-U0-G3   | 113.1        | 7397         | B2-U0-G3   | 124.4        | 6317         | B3-U0-G2   | 106.3        |
| 75WLED-827-G1        | 1715                | 74.5                  | 8711         | B3-U0-G3   | 116.9        | 8245         | B3-U0-G3   | 110.7        | 9071         | B3-U0-G3   | 121.8        | 7651         | B3-U0-G3   | 102.7        |
| 105WLED-827-G1       | 2350                | 104.0                 | 11474        | B3-U0-G3   | 110.3        | 10860        | B3-U0-G3   | 104.4        | 11948        | B3-U0-G3   | 114.9        | 10495        | B4-U0-G3   | 102.9        |
| 115WLED-827-G1       | 1260                | 114.5                 | 12196        | B3-U0-G3   | 106.5        | 11543        | B3-U0-G3   | 100.8        | 12699        | B3-U0-G3   | 110.9        | 11022        | B4-U0-G3   | 96.3         |
| 135WLED-827-G1       | 1485                | 134.2                 | 13901        | B3-U0-G3   | 103.6        | 13157        | B3-U0-G3   | 98.1         | 14475        | B3-U0-G3   | 107.9        | 12822        | B4-U0-G3   | 95.0         |
| 155WLED-827-G1       | 1695                | 154.4                 | 15374        | B3-U0-G4   | 99.6         | 14551        | B3-U0-G3   | 94.2         | 16008        | B3-U0-G4   | 103.7        | 14200        | B4-U0-G3   | 92.2         |
| <b>3000K / 80CRI</b> |                     |                       |              |            |              |              |            |              |              |            |              |              |            |              |
| 15WLED-830-G1        | 335                 | 14.4                  | 1866         | B1-U0-G1   | 129.5        | 1766         | B1-U0-G1   | 122.5        | 1943         | B1-U0-G1   | 134.8        | 1584         | B1-U0-G1   | 110.8        |
| 25WLED-830-G1        | 565                 | 24.4                  | 3150         | B1-U0-G2   | 129.3        | 2981         | B1-U0-G1   | 122.4        | 3280         | B1-U0-G2   | 134.6        | 2691         | B2-U0-G1   | 111.7        |
| 35WLED-830-G1        | 775                 | 34.4                  | 4353         | B2-U0-G2   | 126.5        | 4120         | B2-U0-G2   | 119.8        | 4533         | B2-U0-G2   | 131.8        | 3722         | B2-U0-G2   | 108.2        |
| 50WLED-830-G1        | 1100                | 48.5                  | 5978         | B2-U0-G2   | 123.3        | 5658         | B2-U0-G2   | 116.7        | 6225         | B2-U0-G2   | 128.3        | 5226         | B3-U0-G2   | 108.9        |
| 60WLED-830-G1        | 1370                | 59.4                  | 7358         | B3-U0-G3   | 123.8        | 6964         | B3-U0-G3   | 117.2        | 7661         | B2-U0-G3   | 128.9        | 6542         | B3-U0-G2   | 110.1        |
| 75WLED-830-G1        | 1715                | 74.5                  | 9022         | B3-U0-G3   | 121.1        | 8539         | B3-U0-G3   | 114.6        | 9395         | B3-U0-G3   | 126.1        | 7924         | B3-U0-G3   | 106.4        |
| 105WLED-830-G1       | 2350                | 104.0                 | 11884        | B3-U0-G3   | 114.3        | 11248        | B3-U0-G3   | 108.2        | 12375        | B3-U0-G3   | 119.0        | 10870        | B4-U0-G3   | 106.6        |
| 115WLED-830-G1       | 1260                | 114.5                 | 12632        | B3-U0-G3   | 110.3        | 11955        | B3-U0-G3   | 104.4        | 13153        | B3-U0-G3   | 114.9        | 11416        | B4-U0-G3   | 99.7         |
| 135WLED-830-G1       | 1485                | 134.2                 | 14398        | B3-U0-G3   | 107.3        | 13627        | B3-U0-G3   | 101.6        | 14992        | B3-U0-G3   | 111.8        | 13280        | B4-U0-G3   | 98.4         |
| 155WLED-830-G1       | 1695                | 154.4                 | 15923        | B3-U0-G4   | 103.1        | 15070        | B3-U0-G3   | 97.6         | 16580        | B3-U0-G4   | 107.4        | 14707        | B4-U0-G3   | 95.5         |
| <b>4000K / 80CRI</b> |                     |                       |              |            |              |              |            |              |              |            |              |              |            |              |
| 15WLED-840-G1        | 335                 | 14.4                  | 1994         | B1-U0-G1   | 138.4        | 1888         | B1-U0-G1   | 131.0        | 2077         | B1-U0-G1   | 144.1        | 1693         | B1-U0-G1   | 118.4        |
| 25WLED-840-G1        | 565                 | 24.4                  | 3367         | B1-U0-G2   | 138.2        | 3187         | B1-U0-G1   | 130.8        | 3506         | B1-U0-G2   | 143.9        | 2877         | B2-U0-G1   | 119.4        |
| 35WLED-840-G1        | 775                 | 34.4                  | 4653         | B2-U0-G2   | 135.3        | 4404         | B2-U0-G2   | 128.0        | 4845         | B2-U0-G2   | 140.9        | 3978         | B3-U0-G2   | 115.6        |
| 50WLED-840-G1        | 1100                | 48.5                  | 6390         | B2-U0-G2   | 131.8        | 6048         | B2-U0-G2   | 124.7        | 6654         | B2-U0-G2   | 137.2        | 5587         | B3-U0-G2   | 116.4        |
| 60WLED-840-G1        | 1370                | 59.4                  | 7865         | B3-U0-G3   | 132.3        | 7444         | B3-U0-G3   | 125.2        | 8190         | B3-U0-G3   | 137.8        | 6993         | B3-U0-G2   | 117.7        |
| 75WLED-840-G1        | 1715                | 74.5                  | 9645         | B3-U0-G3   | 129.5        | 9128         | B3-U0-G3   | 122.5        | 10043        | B3-U0-G3   | 134.8        | 8471         | B3-U0-G3   | 113.7        |
| 105WLED-840-G1       | 2350                | 104.0                 | 12704        | B3-U0-G3   | 122.2        | 12024        | B3-U0-G3   | 115.6        | 13228        | B3-U0-G3   | 127.2        | 11620        | B4-U0-G3   | 113.9        |
| 115WLED-840-G1       | 1260                | 114.5                 | 13503        | B3-U0-G3   | 117.9        | 12780        | B3-U0-G3   | 111.6        | 14060        | B3-U0-G3   | 122.8        | 12203        | B4-U0-G3   | 106.6        |
| 135WLED-840-G1       | 1485                | 134.2                 | 15391        | B3-U0-G4   | 114.7        | 14567        | B3-U0-G3   | 108.6        | 16026        | B3-U0-G4   | 119.5        | 14196        | B4-U0-G3   | 105.2        |
| 155WLED-840-G1       | 1695                | 154.4                 | 17021        | B3-U0-G4   | 110.2        | 16110        | B3-U0-G3   | 104.3        | 17724        | B3-U0-G4   | 114.8        | 15722        | B4-U0-G3   | 102.1        |

Actual performance may vary due to installation variables including optics, mounting/ceiling height, dirt depreciation, light loss factor, etc.; highly recommended to confirm performance with a layout - contact Applications at [signify.com/outdoorluminaires](http://signify.com/outdoorluminaires). Consult DLC QPL to confirm your specific fixture selection is DLC approved. Note: Some data may be scaled based on tests of similar but not identical luminaires.

# S-OSA-C OmniScape

## LED Urban Arm Mount with ComfortEdge technology

### Specifications

#### Housing

In a round shape, this housing is made of injection die cast A360.1 aluminium alloy 0.1 (2.5mm) minimum thickness, composed of a hood and heat sink mechanically assembled. C/w latch giving a tool free access. Housing is rated IP66.

#### Roof

With Transitional and Historical Roof Series: In a round shape, hood is made of spun 1100 aluminium alloy 0.080 (2mm), mechanically assembled to the housing with four (4) 10 24 UNC screws.

#### Cage

In a round shape with 4 arms, each arm is a one-piece permanent mold A356 Aluminum alloy 0.188 (4.8mm) minimum thickness, mechanically assembled to the housing and fitter.

#### Fitter

Made of permanent mold A356 Aluminum alloy 0.188 (4.8mm) minimum thickness. Comes with an easy self adjusting system with two (2) set screws 3/8 16 UNC for ease of maintenance and installation. Fits on a 4" (102mm) outside diameter by 4" (102mm) long tenon.

#### Light Engine

ComfortEdge Technology provides low-glare, uniform illumination. Composed of LEDs strategically positioned on the edge of the optical plate. Light engine luminous opening size optimized to best achieve a balance between lumen output and optical performance with the need to provide visual comfort. Light engine frame ensures contact with housing to provide heat conduction and sealing against the elements. Light engine is RoHS compliant. Maximum ambient operating temperature up to 40°C(104°F)..

#### Optical System

The advanced LED comfort optical system provides Types 2, 3, 4 and 5. Composed of high-performance UV stabilized optical grade lens with molded micro-optics to achieve desired distribution optimized to get an exceptional lighting uniformity. System is rated IP66. Performance tested per LM 79 and TM 15 (IESNA) certifying its photometric performance. Street side indicated. Luminaire designed with 0% uplight and U0 per IESNA TM 15 and complies with Dark Sky requirements (3000K or lower only).

#### Heat Sink

Made of cast aluminum optimising the LEDs efficiency and life. Product does not use any cooling device with moving parts (only passive cooling device).

#### Driver

High power factor of 90% minimum electronic driver, operating range 50/60 Hz. Auto adjusting universal voltage input rated for both application line-to-line or line-to-neutral, THD of 20% max. Driver comes with dimming compatible 0-10 volts.

**UNV:** 120 to 277VAC

**HVU:** 347 to 480VAC

The current supplying the LEDs will be reduced by driver if the driver experiences internal overheating as a protection to the LEDs and the electrical components. Output is protected from short circuits, voltage overload and current overload. Automatic recovery after correction.

#### Surge Protection

Surge protector tested in accordance with ANSI/IEEE C62.45 per ANSI/IEEE C62.41.2 Scenario I Category C High Exposure 10kV/10kA waveforms for Line Ground, Line Neutral and Neutral Ground, and in accordance with U.S. DOE (Department of Energy) MSSLC (Municipal Solid State Street Lighting Consortium) model specification for LED roadway luminaires electrical immunity requirements for High Test Level 10kV/10kA.

#### Driver options

**D4i:** D4i certified driver, Zhaga-D4i certified fixture. Ship with DALI bus power turned on and luminaire information loaded in Memory banks 1 as per ANSI C137.4 (2021). Consult factory for any other driver programming requirement.

**DMG:** Dimmable driver 0-10V

**DALI:** D4i certified driver. Ship with DALI bus power turned on and luminaire information loaded in Memory banks 1 as per ANSI C137.4 (2021). Consult factory for any other driver programming requirement.

**SRD:** Sensor Ready Driver including SR communication (used for dimming and other functionalities), 24V auxiliary supply and a logical signal input (LSI) connected to the top NEMA twist lock receptacle and bottom TLRSR receptacle, if this option included/chosen. This configuration is compatible with Interact City controllers. Ship with DALI bus power turned on and luminaire information loaded in Memory banks 1 as per ANSI C137.4 (2021). Consult factory for any other driver programming requirement.

#### Receptacles options

**TLRD7:** Receptacle with 7 pins enabling dimming and with two extra connections for future use (these connections are capped off at the factory requires connections to be made in the field), can be used with a twist lock control device or photoelectric cell or a shorting cap. Use of photocell or shorting cap is required to ensure proper illumination.

**TLRSR:** SR Sensor connector with 4 pins, installed on fixture. Shipped with protective cover.

#### Control options

**FAWS:** Field Adjustable Wattage Selector, pre-set to the highest position, can be easily switched in the field to the required position. This reduces total luminaire wattage consumption and reduces the light level – see FAWS multiplier chart for details.

**MWxx:** High frequency (5.8GHz +/- 75MHz microwave ISM wave band with <0.5 mW transmitting power) motion sensor is mounted integral to the luminaire. Factory pre-programmed standard settings including a dimming level of 10%, 20%, 30% or 40%, hold time of 3 minutes with no stand-by period. This means that in operations, the sensor will keep the luminaire at 10%, 20%, 30% or 40%, of total lumen output and when motion is detected, the luminaire returns to 100% output. It will remain on full power for 3 minutes default prior to dimming back to low when no motion is observed. Recommended maximum mounting height 15ft (4.6m). Other dimming levels, holding times, and stand-by periods are possible, contact factory for details.

**OMS:** Outdoor Multi Sensor

**PH8S:** IP66, Twist-lock UNV (120-277VAC)

**PH8/347S:** IP66, Twist-lock (347VAC)

**PH8/480S:** IP66, Twist-lock (480VAC)

**PH9S:** IP66, Shorting Cap

**PHXLs:** IP66, Extended life UNV (120-277VAC)

#### Luminaire options

**FAWS:** Field Adjustable Wattage Selector, pre-set to the highest position, can be easily switched in the field to the required position. This reduces total luminaire wattage consumption and reduces the light level – see the FAWS multiplier chart for more.

**SP2:** Fail-On 20kV/10kA surge protection device that provides extra protection beyond standard 10kV/10kA level.

**TN3:** Fitter to fit over a 3" (76 mm) O.D. by 4" (102 mm) tenon.

**TN3.5:** Fitter to fit over a 3-1/2" (89 mm) O.D. by 4" (102 mm) tenon.

#### Decorative options

**FNx:** Selection of decorative cast 356 aluminum finials, mechanically assembled.

#### Bracket (shipped separately)

**OSC:** OmniScape contemporary style bracket. Made of Arm and Central Adaptor.

**Arm:** Made of cast 356 aluminum, welded to the Central adaptor.

**Central Adaptor:** Made of aluminum 6061\_T6, 3" (76mm) outside diameter, complete with a tenon penetrating 12" (305mm) inside the pole. The tenon shall be mechanically fastened to the pole by two sets of three set\_screws at 120° around the pole.

**Ost:** OmniScape transitional style bracket. Made of Arm and Adaptor.

**Arm:** Made of 6061\_T6 aluminum tubing, 2 3/8in. (60mm) outside diameter, welded to pole adaptor.

**Adaptor:** Made of cast 3Arm and Adaptor56 aluminum, mechanically assembled to pole by other.

#### Configuration

**1A:** Single arm                      **2:** Dual arm

#### Pole Interface

##### Contemporary bracket for 4" (102mm) round pole

**R4:** Standard

**R4B:** Fits 0.156" (4mm) wall thickness

**R4D:** Fits 0.120" (3mm) wall thickness

**R4F:** Fits 0.125" (3mm) wall thickness

**R4N:** Fits 0.188" (5mm) wall thickness

**R4U:** Fits 0.266" (7mm) wall thickness

**R4V:** Fits 0.250" (6mm) wall thickness

**R4W:** Fits 0.318" (8mm) wall thickness

##### Transitional bracket for 4" (102mm) round pole

**R4:** Standard

#### Finish

The Thermosetting powder coating provided meets the color requirements of the AAMA 2604 specification as measured per ASTM D2244. The Thermosetting product is applied at a dry film of 2.5 to 4.0 mils (64-102 microns) on textured finishes, resulting in a durable long-lasting finish.



# S-OSA-C OmniScape

## LED Urban Arm Mount with ComfortEdge technology

### Specifications (continued)

#### LED manufacturing standard

The electronic components sensitive to electrostatic discharge (ESD) such as light emitting diodes (LEDs) are assembled in compliance with IEC61340 5 1 and ANSI/ESD S20.20 standards to eliminate ESD events that could decrease useful life of the product.

#### Quality Control

Manufactured to ISO 9001 2015 and ISO 14001 2015 International Quality Standards Certification.

#### Vibration Resistance

Meets the ANSI C136.31, American National Standard for Roadway Luminaire Vibration specifications for Bridge/overpass applications, when selecting single or dual contemporary bracket (OSC-1A/OSC-2). Tested for 3G over 100 000 cycles by an independent lab).

#### Service Tag

Each individual luminaire is uniquely identifiable, thanks to the Service tag application. With a simple scan of a QR code, placed inside the luminaire, you gain instant access to the luminaire configuration, making installation and maintenance operations faster and easier, no matter what stage of the luminaire's lifetime. Just download the APP and register your product right away.

For more details visit: [signify.com/servicetag](https://signify.com/servicetag)

#### Certifications and Compliance

cULus Listed for Canada and USA.

DesignLights Consortium qualified (DLC). Consult DLC Qualified Product Lists to confirm specific configuration is approved.

CCTs 3000K and warmer are IDA Dark Sky Approved.

#### Limited Warranty

5-year limited warranty.

See [signify.com/warranties](https://signify.com/warranties) for details and restrictions.