



LumeC OmniScope LED arm mount is the latest latest solution for high-performance lighting in any urban setting. With contemporary, transitional and historical style options, as well as single and dual arm configurations, this luminaire is versatile and adaptable to any environment. It features a precision and comfort light engine, which provides exceptional efficacy and glare control, ensuring comfortable and efficient illumination.

Project: \_\_\_\_\_  
 Location: \_\_\_\_\_  
 Cat.No: \_\_\_\_\_  
 Type: \_\_\_\_\_  
 Qty: \_\_\_\_\_  
 Notes: \_\_\_\_\_

### Ordering guide

example: S-OSAC-80W40LED-730-G1-2F-UNV-DMG-TLRD7-PH8S-BKT3X

Series	LED module	CRI CCT	Gen.	Optical System	Voltage	Driver	Options				Arm mounting (shipped separately)			Finish
							Receptacle	Control	Luminaire	Deco.	Bracket	Arm	Interface	
S-OSAC OmniScope LED arm mount luminaire with Contemporary Roof	15W40LED <sup>1,2</sup> 2,000 lumen 70CRI 2700K	727 <sup>11</sup> 70CRI 2700K	G1 Gen1	Without Flat Lens	UNV 120-277V	D4i <sup>8</sup> Zhaga-D4i certified	TLRD7 <sup>9</sup> 7-Pin receptacle for photoelectric cell	Photoelectric Cell (add "S" for S-OSAC) <sup>7</sup> PH8 (PH8S) Twist-lock UNV (120-277VAC) PH8/347 (PH8/347S) Twist-lock (347VAC) PH8/480 (PH8/480S) Twist-lock (480VAC) PH9 (PH9S) Shorting Cap PHXL (PHXLS) Extended life UNV (120-277VAC)	BAC <sup>14</sup> Meets the requirements of the Buy American Act of 1933 (BAA)  FAWS <sup>1,15</sup> Field adj. wattage selector HS <sup>13</sup> House Side Shield SP2 20kV/10kA Surge Protector TN3 Fitter to fit over a 3" (76 mm) O.D. by 4" (102 mm) long tenon TN3.5 Fitter to fit over a 3 1/2" (89 mm) O.D. by 4" (102 mm) long tenon	Deco. Finials <sup>16</sup> FN1 FN2 FN3 FN4 FN5 FN6 FN7 FN8 FN9 FN10 FN11	For contemporary bracket (OSC)			Textured Finishes
												For 4" (102mm) round poles R4B For 0.156" (4mm) wall thickness R4D For 0.120" (3mm) wall thickness R4F For 0.125" (3mm) wall thickness R4N For 0.188" (5mm) wall thickness R4U For 0.226" (7mm) wall thickness R4V For 0.250" (6mm) wall thickness R4W For 0.318" (8mm) wall thickness		
S-OSAT OmniScope LED arm mount luminaire with Transitional Roof	35W40LED <sup>2</sup> 5,000 lumen 4000K	740 70CRI 4000K	G1 Gen1	2B Type II (ASYM) enhanced backlight	80CRI 80CRI	DALI Digitally addressable lighting interface  DMG <sup>12</sup> 0-10V SRD Sensor ready driver	TLRSR <sup>10</sup> SR receptacle	OMS <sup>5</sup> Outdoor Multi-Sensor  Motion Sensor <sup>1,13</sup> IR10 Dim 10% IR20 Dim 20% IR30 Dim 30% IR50 Dim 50%			For transitional bracket (OST)			
S-OSAH OmniScope LED arm mount luminaire with Historical Roof	65W40LED <sup>3</sup> 6,000 lumen 80CRI 2700K										3 Type III (ASYM)			
	80W40LED 10,000 lumen 3000K	830 80CRI 3000K	G1 Gen1	3W Type III (ASYM) Wide	840 80CRI 4000K									
	90W40LED 11,000 lumen 4000K										4 Type IV (ASYM)			
	105W40LED 13,000 lumen	840 80CRI 4000K	G1 Gen1	5 Type (SYMM)										
	120W40LED <sup>4</sup> 14,000 lumen										2F Type II (ASYM)			
	140W40LED <sup>4,5,6</sup> 16,000 lumen		G1 Gen1	2BF Type II (ASYM)										Others GR Gray Sandtex NP Natural Alum TG Hammer-tone Gold TS Hammer-tone Silver
				3F Type III (ASYM)										
			G1 Gen1	3WF Type III (ASYM) Wide										
				4F Type IV (ASYM)										
			G1 Gen1	5F Type V (SYMM)										

- Only available with DMG Driver options.
- Only available with UNV Voltage option.
- Not available with D4i/DALI/SRD Driver combined with HVX Voltage option.
- D4i/DALI/SRD Drivers only available with UNV Voltage option.
- Not available with HS Luminaire option.
- Not available with S-OSAT or S-OSAH Roof combined with Optical system with lens.
- TLRD7 must be selected for this option. If used, photoelectric cell selection must be compatible with selected Voltage option. When selecting S-OSAC roof, IP66 photoelectric cell or shorting cap must be used to preserve IP66 rating of luminaire.
- TLRSR must be selected this option.
- Use of photoelectric cell or shorting cap is required to ensure proper illumination.
- Not available with DALI/DMG Driver options.
- Longer lead time applies. Consult factory.
- Not available in HVX Voltage option.
- Only available with Optical system without lens. Recommended maximum mounting height 20ft (6m).
- Failure to properly select the "BAC" suffix could result in you receiving product that is not BAA compliant product with no recourse for an RMA or refund. This BAC designation hereunder does not address (i) the applicability of, or availability of a waiver under, the Trade Agreements Act, or (ii) the "Buy America" domestic content requirements imposed on states, localities, and other non-federal entities as a condition of receiving funds administered by the Department of Transportation or other federal agencies.
- Not available with TLRD7 Receptacle option.
- Finials (FNx) Decorative options are not available with S-OSAC Roof.



# S-OSA OmniScape

## LED Urban Arm Mount with LEDgine technology

### Predicted Lumen Depreciation Data

Derived from LED manufacturer's data and engineering design estimates, based on IESNA LM-80 methodology. Actual experience may vary due to field application conditions. L70 is the predicted time when LED performance depreciates to 70% of initial lumen output. Calculated per IESNA TM21-21.

Ambient Temperature	Driver mA	Calculated L70 hours	L70 per TM-21	Lumen Maintenance % @ 60,000 hrs
25°C	800 mA	181,000	>84,000 hrs	95.56%



### Field Adjustable Wattage (FAWS) Multiplier Chart

15W40LED to 45W40LED

FAWS Position	Typical Delivered Lumens Multiplier	Typical System wattage
1	0.229	0.221
2	0.398	0.394
3	0.467	0.464
4	0.528	0.528
5	0.598	0.597
6	0.643	0.643
7	0.695	0.697
8	0.729	0.731
9	0.766	0.769
10	1.000	1.000

Note: Typical value accuracy +/- 5%

65W40LED to 120W40LED

FAWS Position	Typical Delivered Lumens Multiplier	Typical System wattage
1	0.273	0.286
2	0.487	0.515
3	0.574	0.605
4	0.695	0.725
5	0.741	0.771
6	0.812	0.803
7	0.878	0.834
8	0.924	0.933
9	0.980	0.982
10	1.000	1.000

Note: Typical value accuracy +/- 5%

140W40LED

FAWS Position	Typical Delivered Lumens Multiplier	Typical System wattage
1	0.140	0.150
2	0.270	0.288
3	0.337	0.359
4	0.440	0.465
5	0.497	0.522
6	0.561	0.586
7	0.617	0.642
8	0.676	0.698
9	0.723	0.743
10	1.000	1.000

Note: Typical value accuracy +/- 5%

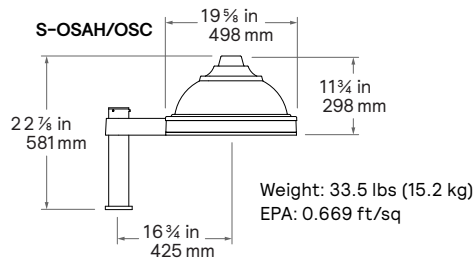
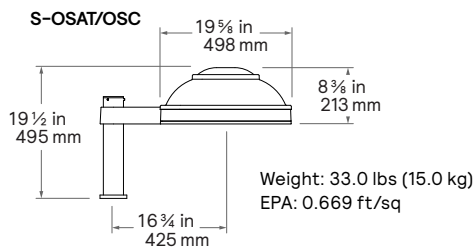
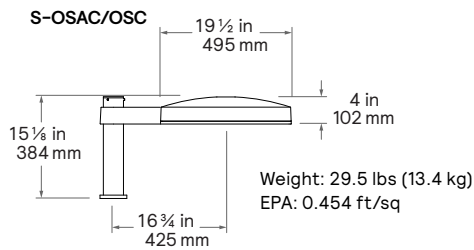
# S-OSA OmniScape

## LED Urban Arm Mount with LEDgine technology

### Contemporary Arm



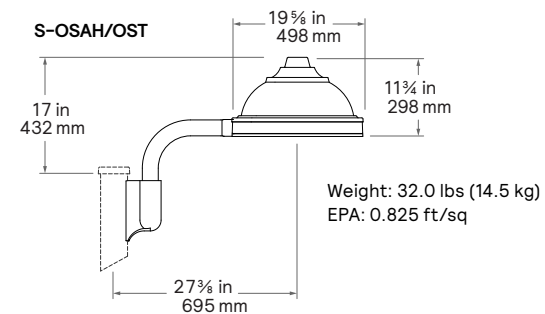
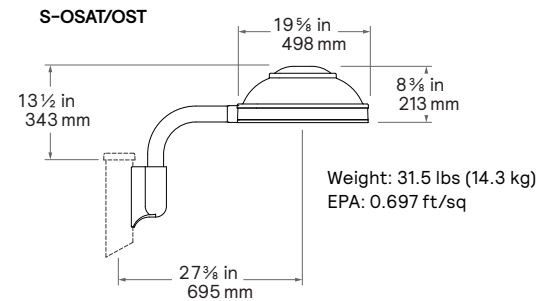
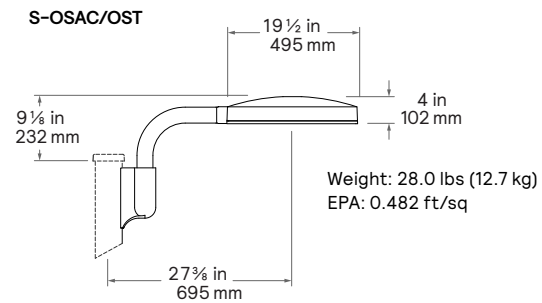
### Dimensions for Contemporary arm



### Transitional Arm



### Dimensions for Transitional arm



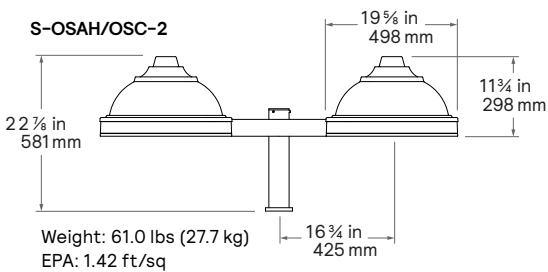
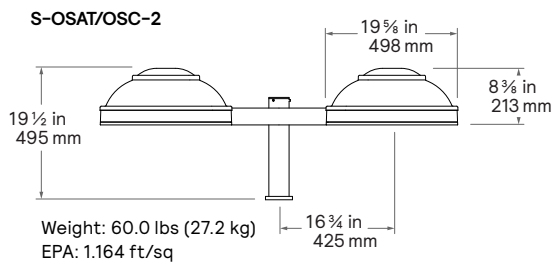
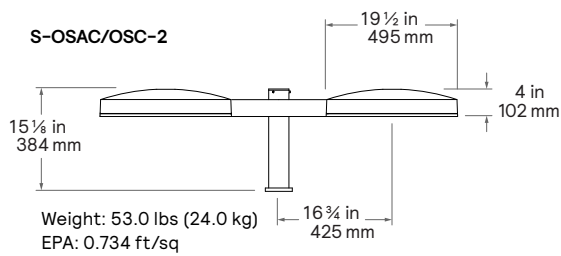
# S-OSA OmniScape

## LED Urban Arm Mount with LEDgine technology

### Contemporary Arm



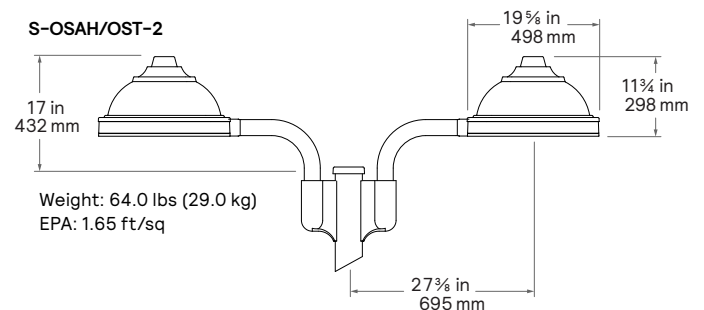
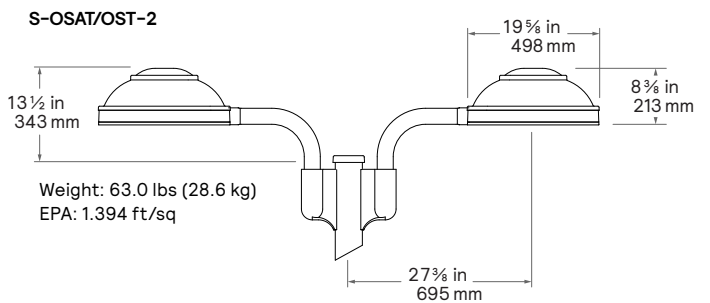
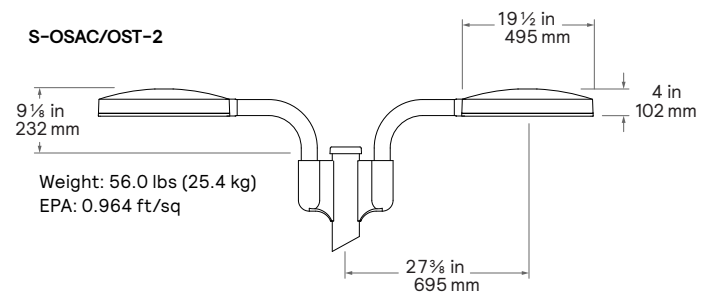
#### Dimensions for Contemporary arm



### Transitional Arm



#### Dimensions for Transitional arm









# S-OSA OmniScape

## LED Urban Arm Mount with LEDgine technology

### Specifications

#### Housing

In a round shape, this housing is made of injection die cast A360.1 aluminium alloy 0.1 (2.5mm) minimum thickness, composed of a hood and heat sink mechanically assembled. C/w latch giving a tool free access. Housing is rated IP66.

#### Roof

With Transitional and Historical Roof Series: In a round shape, hood is made of spun 1100 aluminum alloy 0.080 (2mm), mechanically assembled to the housing with four (4) 10 24 UNC screws.

#### Cage

In a round shape with 4 arms, each arm is a one-piece permanent mold A356 Aluminum alloy 0.188 (4.8mm) minimum thickness, mechanically assembled to the housing and fitter.

#### Fitter

Made of permanent mold A356 Aluminum alloy 0.188 (4.8mm) minimum thickness. Comes with an easy self adjusting system with two (2) set screws 3/8 16 UNC for ease of maintenance and installation. Fits on a 4" (102mm) outside diameter by 4" (102mm) long tenon.

#### Light Engine

**LEDgine Technology** is composed of 4 main components: Heat Sink / LED Module / Optical System / Driver.

Electrical components are RoHS compliant, IP66 sealed light engine. LEDs tested by ISO 17025-2005 accredited lab in accordance with IESNA LM-80 guidelines, extrapolations in accordance with IESNA TM-21. Metal core board ensures greater heat transfer and longer lifespan.

#### Lens (optional)

With Type 2BF, 2F, 3F, 3WF, 4F & 5F optics. Made of soda lime tempered glass lens, mechanically assembled, and sealed onto the housing.

#### LED Module

Composed of high-performance white LEDs. Color temperature as per ANSI/NEMA bin 4000 Kelvin nominal (3985K +/- 275K or 3710K to 4260K) or 3000 Kelvin nominal (3045K +/- 175K or 2870K to 3220K) or 2700 Kelvin nominal (2725K +/- 145K or 2580K to 2870K), CRI 70 or CRI 80.

#### Optical System

Composed of high-performance UV stabilized optical grade polymer refractor lenses to achieve desired distribution optimized to get maximum spacing, target lumens and a superior lighting uniformity. System is rated IP66. Performance shall be tested per LM 63, LM 79 and TM 15 (IESNA) certifying its photometric performance. Luminaire designed with 0% uplight and U0 per IESNA TM 15 and complies with Dark Sky requirements (3000K or lower only).

#### Heat Sink

Made of cast aluminum optimising the LEDs efficiency and life. Product does not use any cooling device with moving parts (only passive cooling device).

#### Driver

High power factor of 90% minimum electronic driver, operating range 50/60 Hz. Auto adjusting universal voltage input rated for both application line-to-line or line-to-neutral, THD of 20% max. Driver comes with dimming compatible 0-10 volts.

**UNV:** 120 to 277VAC

**HVU:** 347 to 480VAC

**HVX:** Extended voltage range (277-480VAC).

Provides additional protection for abnormal power conditions like neutral drop on 277V installs or others.

The current supplying the LEDs will be reduced by driver if the driver experiences internal overheating as a protection to the LEDs and the electrical components. Output is protected from short circuits, voltage overload and current overload. Automatic recovery after correction.

#### Surge Protection

Surge protector tested in accordance with ANSI/IEEE C62.45 per ANSI/IEEE C62.41.2 Scenario I Category C High Exposure 10kV/10kA waveforms for Line Ground, Line Neutral and Neutral Ground, and in accordance with U.S. DOE (Department of Energy) MSSLC (Municipal Solid State Street Lighting Consortium) model specification for LED roadway luminaires electrical immunity requirements for High Test Level 10kV/10kA.

#### Driver options

**D4i:** D4i certified driver, Zhaga-D4i certified fixture. Ship with DALI bus power turned on and luminaire information loaded in Memory banks 1 as per ANSI C137.4 (2021). Consult factory for any other driver programming requirement.

**DMG:** Dimmable driver 0-10V

**DALI:** D4i certified driver. Ship with DALI bus power turned on and luminaire information loaded in Memory banks 1 as per ANSI C137.4 (2021). Consult factory for any other driver programming requirement.

**SRD:** Sensor Ready Driver including SR communication (used for dimming and other functionalities), 24V auxiliary supply and a logical signal input (LSI) connected to the top NEMA twist lock receptacle and bottom TLRSR receptacle, if this option included/chosen. This configuration is compatible with Interact City controllers. Ship with DALI bus power turned on and luminaire information loaded in Memory banks 1 as per ANSI C137.4 (2021). Consult factory for any other driver programming requirement.

#### Receptacles options

**TLRD7:** Receptacle with 7 pins enabling dimming and with two extra connections for future use (these connections are capped off at the factory requires connections to be made in the field), can be used with a twist lock control device or photoelectric cell or a shorting cap. Use of photocell or shorting cap is required to ensure proper illumination.

**TLRSR:** SR Sensor connector with 4 pins, installed on fixture. Shipped with protective cover.

#### Control options

**FAWS:** Field Adjustable Wattage Selector, pre-set to the highest position, can be easily switched in the field to the required position. This reduces total luminaire wattage consumption and reduces the light level – see FAWS multiplier chart for details.

**OMS:** Outdoor Multi Sensor

**PH8S:** IP66, Twist-lock UNV (120-277VAC)

**PH8/347S:** IP66, Twist-lock (347VAC)

**PH8/480S:** IP66, Twist-lock (480VAC)

**PH9S:** IP66, Shorting Cap

**PHXLS:** IP66, Extended life UNV (120-277VAC)

#### Luminaire options

**FAWS:** Field Adjustable Wattage Selector, pre-set to the highest position, can be easily switched in the field to the required position. This reduces total luminaire wattage consumption and reduces the light level – see the FAWS multiplier chart for more.

**HS:** House Side Shield. Shields light output to the back side of fixture.

**SP2:** Fail-On 20kV/10kA surge protection device that provides extra protection beyond standard 10kV/10kA level.

**TN3:** Fitter to fit over a 3" (76 mm) O.D. by 4" (102 mm) tenon.

**TN3.5:** Fitter to fit over a 3-1/2" (89 mm) O.D. by 4" (102 mm) tenon.

#### Decorative options

**FNx:** Selection of decorative cast 356 aluminum finials, mechanically assembled.

#### Bracket (shipped separately)

**OSC:** OmniScape contemporary style bracket. Made of Arm and Central Adaptor.

**Arm:** Made of cast 356 aluminum, welded to the Central adaptor.

**Central Adaptor:** Made of aluminum 6061\_T6, 3" (76mm) outside diameter, complete with a tenon penetrating 12" (305mm) inside the pole. The tenon shall be mechanically fastened to the pole by two sets of three set\_screws at 120° around the pole.

**OST:** OmniScape transitional style bracket. Made of Arm and Adaptor.

**Arm:** Made of 6061\_T6 aluminum tubing, 2 3/8in. (60mm) outside diameter, welded to pole adaptor.

**Adaptor:** Made of cast 3Arm and Adaptor56 aluminum, mechanically assembled to pole by other.

#### Configuration

**1A:** Single arm                      **2:** Dual arm

#### Pole Interface

##### Contemporary bracket for 4" (102mm) round pole

**R4:** Standard

**R4B:** Fits 0.156" (4mm) wall thickness

**R4D:** Fits 0.120" (3mm) wall thickness

**R4F:** Fits 0.125" (3mm) wall thickness

**R4N:** Fits 0.188" (5mm) wall thickness

**R4U:** Fits 0.266" (7mm) wall thickness

**R4V:** Fits 0.250" (6mm) wall thickness

**R4W:** Fits 0.318" (8mm) wall thickness

##### Transitional bracket

##### for 4" (102mm) round pole

**R4:** Standard

# S-OSA OmniScape

## LED Urban Arm Mount with LEDgine technology

### Specifications (continued)

#### Finish

The Thermosetting powder coating provided meets the color requirements of the AAMA 2604 specification as measured per ASTM D2244. The Thermosetting product is applied at a dry film of 2.5 to 4.0 mils (64-102 microns) on textured finishes, resulting in a durable long-lasting finish.

#### LED manufacturing standard

The electronic components sensitive to electrostatic discharge (ESD) such as light emitting diodes (LEDs) are assembled in compliance with IEC61340 5 1 and ANSI/ESD S20.20 standards to eliminate ESD events that could decrease useful life of the product.

#### Quality Control

Manufactured to ISO 9001 2015 and ISO 14001 2015 International Quality Standards Certification.

#### Vibration Resistance

Meets the ANSI C136.31, American National Standard for Roadway Luminaire Vibration specifications for Bridge/overpass applications, when selecting single or dual contemporary bracket (OSC-1A/OSC-2). Tested for 3G over 100 000 cycles by an independent lab).

#### Service Tag

Each individual luminaire is uniquely identifiable, thanks to the Service tag application. With a simple scan of a QR code, placed inside the luminaire, you gain instant access to the luminaire configuration, making installation and maintenance operations faster and easier, no matter what stage of the luminaire's lifetime. Just download the APP and register your product right away.

For more details visit: [signify.com/servicetag](https://signify.com/servicetag)

#### Certifications and Compliance

cULus Listed for Canada and USA.

DesignLights Consortium qualified (DLC). Consult DLC Qualified Product Lists to confirm specific configuration is approved.

CCTs 3000K and warmer are IDA Dark Sky Approved.

#### Limited Warranty

5-year limited warranty.

See [signify.com/warranties](https://signify.com/warranties) for details and restrictions.