

**GARDCO**  
by **Signify**

Floodlighting

DuraForm LED



**The simple choice  
for your  
diverse needs**

**Signify**

© 2022 Signify Holding. All rights reserved. The information provided herein is subject to change, without notice. Signify does not give any representation or warranty as to the accuracy or completeness of the information included herein and shall not be liable for any action in reliance thereon. The information presented in this document is not intended as any commercial offer and does not form part of any quotation or contract, unless otherwise agreed by Signify.

Signify North America Corporation  
400 Crossing Blvd, Suite 600  
Bridgewater, NJ 08807  
Telephone 855-486-2216

Signify Canada Ltd.  
281 Hillmount Road,  
Markham, ON, Canada L6C 2S3  
Telephone 800-668-9008

All trademarks are owned by Signify Holding or their respective owners.

[www.gardcolighting.com](http://www.gardcolighting.com)



We get it...  
**you need it all**

**Versatility  
durability,  
performance...**

**You must deliver on all levels.  
Gardco DuraForm is your solution.**







# You need versatility

**Any application,  
any mounting height,  
any distribution  
One family.**

Gardco DuraForm floods meet a broad range of application needs. Configurable and easy to specify, this family offers a wide variety of lumen ranges, optical distributions, mounting options, and controls choices.

Still don't find what you need? We'll also work with you on customizations through our "Engineered to Order" program. See p. 13 for more information.

- Three sizes to provide the right light for your needs
- Three mounting options for a variety of applications
- Rugged construction to stand up to harsh environments
- Low profile design blends in with surroundings
- DLC Standard and DLC Premium configurations available

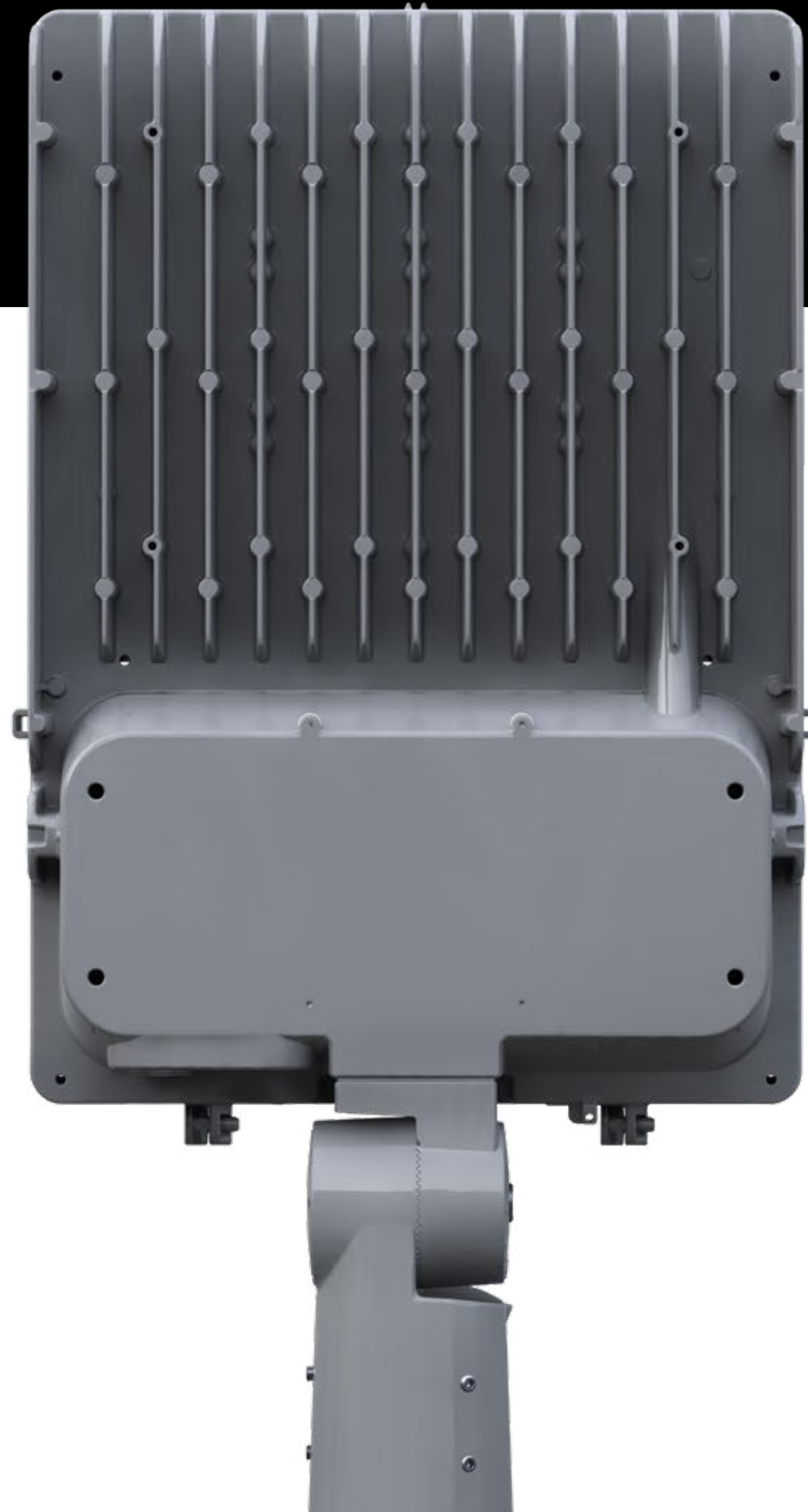




# You need durability

Know that the solutions you choose are going to satisfy your customers and preserve your reputation.

Clients trust you to direct them towards reliable, efficient, future-proof lighting solutions featuring the latest technology. Like all Gardco luminaires, **DuraForm** gives you peace of mind that you're recommending a quality product that meets all of those requirements. These floods are rugged enough to function flawlessly even in demanding environments, yet sleekly designed with a low profile. As an added bonus, they are backed by our exclusive Service Tag, which includes quick registration, access to luminaire configurations, and spare parts identification, for assistance throughout the life of the product.



- Die-cast aluminum housing for maximum durability
- IP66 rated luminaire protects against dust and moisture for optimum performance
- Tempered glass lens with IK09 impact rating
- Excellent thermal dissipation with built in heat sink optimizes efficiency and lifetime
- Meets ANSI C136.31-2018 Vibration specifications (see specification sheets for details)
- Rated for ambient temperatures from -40° to +50°C
- 10kV/10kA surge suppression is standard, 20kV/10kA surge suppression optional
- Multiple finish options with minimum scribe rating of 8 after 5,000 hour salt fog testing

# You need performance



## Put light where you want it, not where you don't.

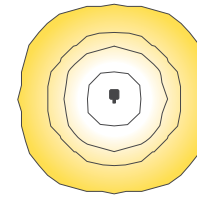
Quality illumination makes areas feel secure and helps discourage trespassing or vandalism.

Optics over each discrete high-power LED accurately direct the light to maximize performance and reduce glare experienced with COB or multi-die LEDs.

Accessories provide shielding to prevent light spill, reversible for customization per your specific shielding needs.

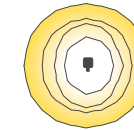
- Lumen output ranges from 3,100 to 58,900
- Efficacies up to 149 lumens per watt
- Nine distributions range from tight spot to rectangular medium
- Multiple controls options range from simple to advanced
- Three standard finish options, with special finishes available

## Distributions



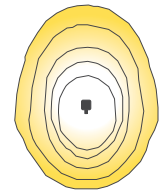
**SPT Spot 12° Round (NEMA 2x2)**  
20' or 6.10m setback, 0° tilt

- flags
- tighter spotlighting
- accenting
- taller columns
- tighter scalloping
- taller structures
- taller monuments and statues
- tallest trees



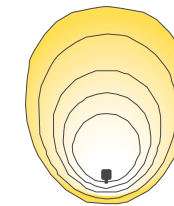
**RSP Rectangular Spot (NEMA 3X3)**  
15' or 4.57m setback, 0° tilt

- flags
- spotlighting
- accenting
- columns
- scalloping
- structures
- monuments and statues
- taller trees.



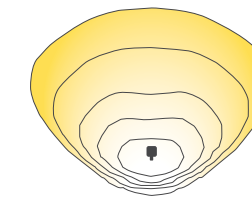
**NFL Narrow Flood (NEMA 4x4)**  
30' or 9.14m mounting height, 45° tilt

- area lighting
- storage yards
- transportation terminals
- trailer lots
- utility sub-stations
- prison yards
- ports
- industrial sites
- facades and structures
- monuments and statues.



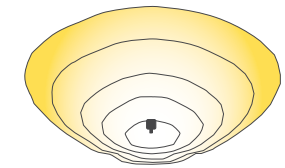
**MFL Medium Flood (NEMA 5x5)**  
30' or 9.14m mounting height, 45° tilt

- area lighting
- storage yards
- transportation terminals
- trailer lots
- utility sub-stations
- prison yards
- ports
- industrial sites
- fence perimeters and borders
- facades and structures
- monuments and statues



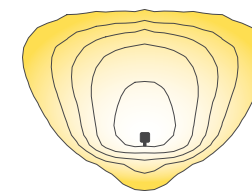
**WFL Wide Flood (NEMA 6x6)**  
30' or 9.14m mounting height, 45° tilt

- area lighting
- storage yards
- transportation terminals
- trailer lots
- utility sub-stations
- prison yards
- ports
- industrial sites
- fenced perimeters and borders
- large facades



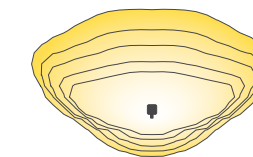
**7x6 (NEMA 7x6)**  
30' or 9.14m mounting height, 45° tilt

- area lighting
- utility sub-stations
- fence perimeters and borders
- wall grazing
- large and taller facades
- signs (especially larger and taller ones)



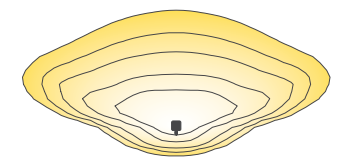
**A33 Asymmetric 33° Flood (NEMA 6x5)**  
30' or 9.14m mounting height, 30° tilt

- area lighting
- storage yards
- transportation terminals
- utility sub-stations
- wall washing
- large facades and structures
- monuments and statues
- trees with large canopies



**RMF Rectangular Medium Flood (NEMA 7x4)**  
10' or 3.05m setback, 30° tilt

- building entrances and exits
- security lighting
- signs
- ornamental trees and shrubs
- checkpoints and inspection stations



**RNF Rectangular Narrow Flood (NEMA 7x5)**  
15' or 4.57m setback, 45° tilt

- facades
- wall grazing
- signs (especially larger and more rectangular)



# Product details

## 1 Accessory mounting

Shields and Visors can be easily installed in the field

## 2 LEDs + optics

High performance optics optimized for maximum spacing, target lumens and lighting uniformity

## 3 Tool-less latches optional

Allows easy access, operable while wearing protective electrical gloves



## 4 Adjustable aiming

Fully adjustable, durable brackets with integral aiming marks facilitate flexible and easy aiming



## 5 Lens

Tempered glass lens with IK09 impact rating

## 6 Gasketing

Optical chamber gasketed for IP66 seal

## 7 Hinged door frame

Allows for easy access to electrical compartment



## Twist-lock receptacle

Optional tool-less Twist-lock 7-pin receptacle (TT7)



## 8 Cast-in sight

Enables easy aiming day or night

## 9 Driver

Mounted for optimal heat dissipation

## 10 Surge suppression

10kV/10kA standard, 20kV/10kA optional

## 11 Field Adjustable Wattage Selector (FAWS)

Optional, allows for output to be changed in the field

## 12 Terminal block

Standard on all DuraForm luminaires

## 13 Tethered door

Tethered door provides additional security

## 14 IP66 Rated luminaire

Gaskets weatherproof the interior

## 15 Service Tag

QR code labels allow for ease of maintenance and tracking



# Mounting, Options & Accessories

# Dimensions

Yoke Mount



Slip Fitter with External Cord



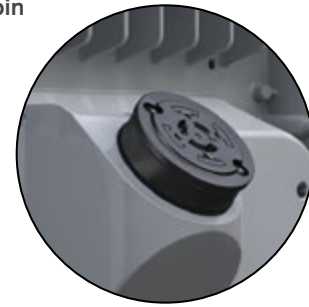
Slip Fitter with Internal Wiring



Tool-less Latches (TOL)



Twist-lock 7-pin Receptacle (TT7)



Visor Top or Bottom



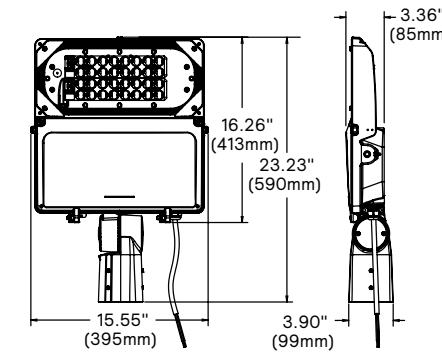
Glare Shield Left or Right



Wire Guard

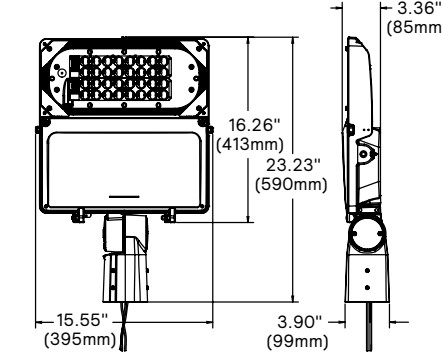


DuraForm small FLDS



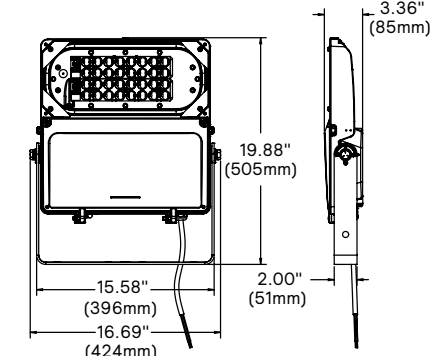
SFC

Luminaire weight: 19 lbs (8.6 kg)



SLF

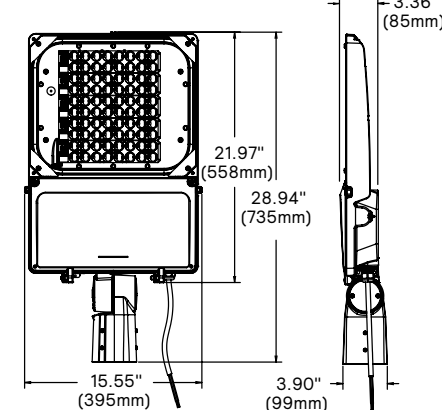
Luminaire weight: 19 lbs (8.6 kg)



YOK

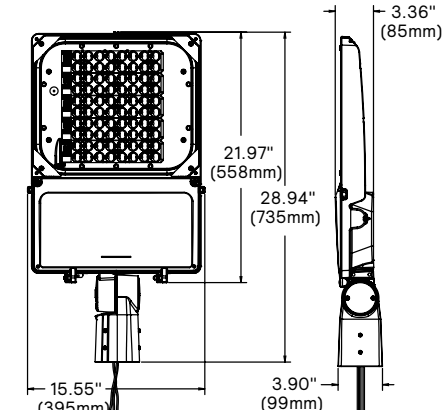
Luminaire weight: 20 lbs (9.1 kg)

DuraForm medium FLDM



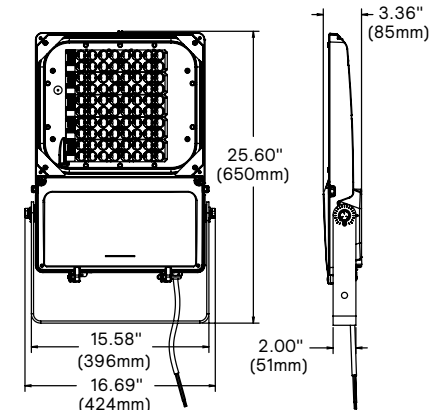
SFC

Luminaire weight: 23 lbs (10.4 kg)



SLF

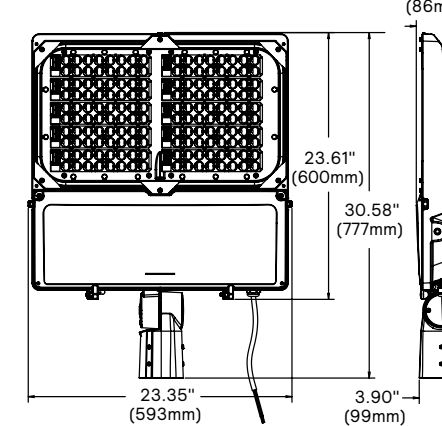
Luminaire weight: 23 lbs (10.4 kg)



YOK

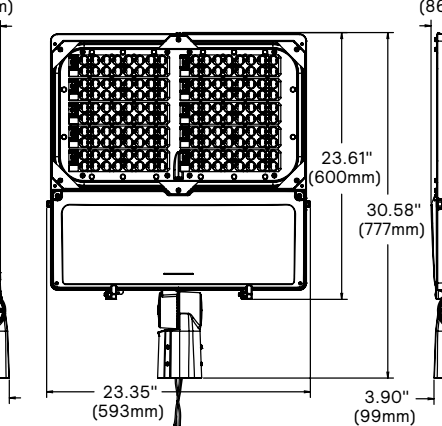
Luminaire weight: 24 lbs (10.9 kg)

DuraForm large FLDL



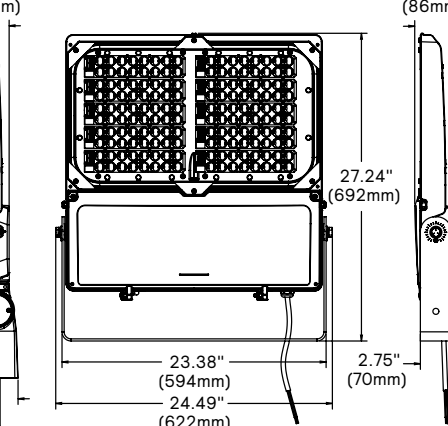
SFC

Luminaire weight: 36 lbs (16.3kg)



SLF

Luminaire weight: 36 lbs (16.3 kg)



YOK

Luminaire weight: 43 lbs (19.5 kg)





## Luminaire solutions

**Basic. Autonomous. Affordable.**

Simple, individual outdoor lighting dimming and management without the need for remote access.

- 0-10V Dimming
- Field Adjustable Wattage Selector
- 7-pin NEMA twist-lock receptacle
- PCB photocell
- DALI driver

## For more information on controls

Visit us at [lightingproducts.signify.com](http://lightingproducts.signify.com) for more on stand-alone and connected outdoor lighting solutions, and select Controls Outdoor, or request our outdoor lighting solutions brochure.

**Make the simple choice that meets your diverse needs by choosing DuraForm.**

Go to [gardcolighting.com/DuraForm](http://gardcolighting.com/DuraForm) to find out more.

## We understand that your lighting projects often bring unique requirements and need highly specialized solutions. Let us help.

While we offer a broad range of configurable products to meet your needs, nearly everything is customizable. Gardco works closely with you to design products and services around your specific needs, through our "Engineered To Order" Program. Whether you need a special finish, BAA Compliant\*, or an entirely customized luminaire, we've got you covered.

We can make several levels of modifications, from simple to complex, whether for aesthetic or performance reasons. Leverage the knowledge and competencies of our organization to support your customers' projects. Trust in our leadership and quality as we work closely with you through every stage.

**Contact your sales representative to start your customization journey today!**

\*As of the date of this document, DuraForm BAA Compliant luminaires, with the use of the "BAC" suffix, meet the requirements of the Buy American Act of 1933 (BAA). Failure to properly select the "BAC" suffix could result in you receiving product that is not BAA compliant product with no recourse for an RMA or refund. This BAC designation hereunder does not address (i) the applicability of, or availability of a waiver under, the Trade Agreements Act, or (ii) the "Buy America" domestic content requirements imposed on states, localities, and other non-federal entities as a condition of receiving funds administered by the Department of Transportation or other federal agencies. Prior to ordering, please visit [www.signify.com/baa](http://www.signify.com/baa) to view a current list of BAA-compliant products to confirm product's current compliance.

