



**Get the most
out of your time
and money**



Stay on budget, without compromising

You already know that switching to LED lighting saves you money, but DuraForm brings a lot more to the table.

This floodlight family helps you stay on budget without compromising quality or performance. Its rugged design and wide variety of lumen ranges, optical distributions, and mounting options make it ideal for the diverse and unique application needs of utilities and DOTs.



DuraForm

an affordable solution to meet all of your floodlighting requirements

- Three sizes to provide the right light for your needs
- Three mounting options for a variety of applications
- Rugged construction to stand up to harsh environments
- Low profile design blends in with surroundings
- DLC Standard and DLC Premium configurations available

Stop servicing and start saving

Ease your mind and simplify your job

Compatible with existing infrastructure, DuraForm allows a one for one replacement of HID luminaires, sometimes without even having to change the mounting. Cost savings also add up with fast, simple and safe installation, partnered with significantly less and easier servicing than traditional products.

On the off chance that DuraForm doesn't have the exact options you need, rest assured that we'll work with you through our "Engineered to Order" program. See p. 12 for more details.

For further peace of mind, these luminaires are also backed by our exclusive Service Tag, which includes quick registration, access to luminaire configurations, and spare parts identification, for assistance throughout the life of the product.



Choose durability

- Die-cast aluminum housing for maximum durability
- IP66 rated luminaire protects against dust and moisture for optimum performance
- Tempered glass lens with IK09 impact rating
- Excellent thermal dissipation with built in heat sink optimizes efficiency and lifetime
- Meets ANSI C136.31-2018 Vibration specifications (see specification sheets for details)
- Rated for ambient temperatures from -40° to +50°C
- 10kV/10kA surge suppression is standard, 20kV/10kA surge suppression optional
- Multiple finish options with minimum scribe rating of 8 after 5,000 hour salt fog testing

Satisfy your diverse customers



No matter the project, DuraForm can do the job

DuraForm's full range of sizes and distribution options make it an ideal choice for many applications, from sub-stations, field office buildings and work yards to highway rest stops and industrial areas. We understand that sensitivity to the community and surrounding neighborhoods is important, so DuraForm provides comfortable lighting with less glare and less wasted light than other products. Quality illumination can also help make areas feel safer and discourage trespassing or vandalism.

Features

- Lumen output ranges from 3,100 to 58,900
- Efficacies up to 149 lumens per watt
- Yoke, Slip Fitter with cord or with wiring through Slip Fitter
- Nine distributions: NEMA 2x2, 3x3, 4x4, 5x5, 6x6, 6x5, 7x4, 7x5, and 7x6.
- Three position terminal block standard
- Tool-less latches or vandal proof access options available
- Field installable shielding options control spill light
- Multiple control options range from simple to advanced



See for yourself

1 Accessory mounting

Shields and Visors can be easily installed in the field

2 LEDs + optics

High performance optics optimized for maximum spacing, target lumens and lighting uniformity

3 Tool-less latches optional

Allows easy access, operable while wearing protective electrical gloves

4 Adjustable aiming

Fully adjustable, durable brackets with integral aiming marks facilitate flexible and easy aiming

5 Lens

Tempered glass lens with IK09 impact rating

6 Gasketing

Optical chamber gasketed for IP66 seal

7 Hinged door frame

Allows for easy access to electrical compartment

8 Cast-in alignment guide

For ANSI wattage and source label



Twist-lock receptacle

Optional tool-less Twist-lock 7-pin receptacle (TT7)



9 Cast-in sight

Enables easy aiming day or night

10 Driver

Mounted for optimal heat dissipation

11 Surge suppression

10kV/10kA standard, 20kV/10kA optional

12 Field Adjustable Wattage Selector (FAWS)

Optional, allows for output to be changed in the field

13 Terminal block

Standard on all DuraForm luminaires

14 Tethered door

Tethered door provides additional security

15 IP66 Rated luminaire

Gaskets weatherproof the interior

16 Service Tag

QR code labels allow for ease of maintenance and tracking



Mounting, Options & Accessories

Yoke Mount



Slip Fitter with External Cord



Slip Fitter with Internal Wiring



Tool-less Latches (TOL)



Twist-lock 7-pin Receptacle (TT7)



Visor
Top or Bottom



Glare Shield
Left or Right

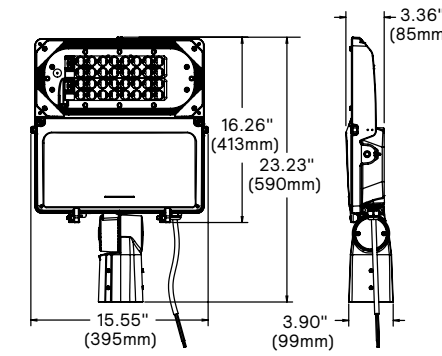


Wire Guard



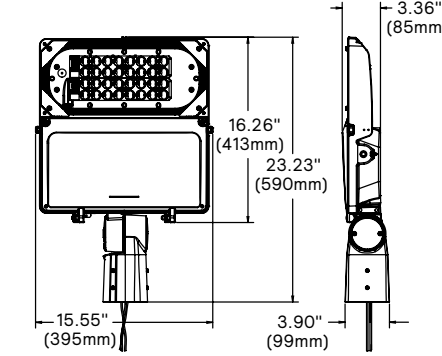
Dimensions

DuraForm small FLDS



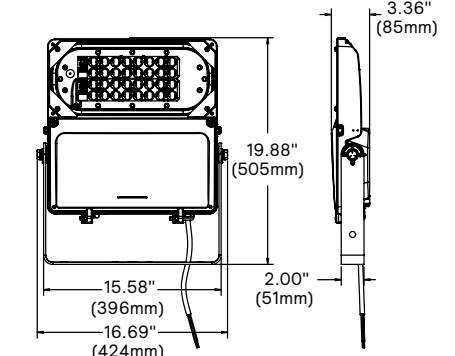
SFC

Luminaire weight: 19 lbs (8.6 kg)



SLF

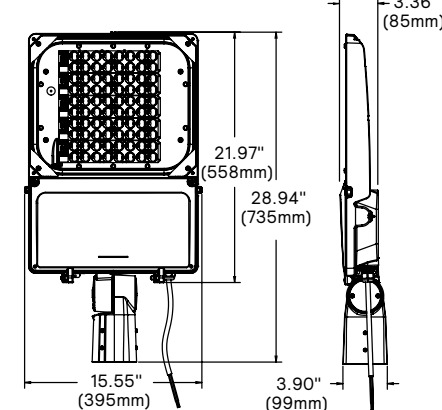
Luminaire weight: 19 lbs (8.6 kg)



YOK

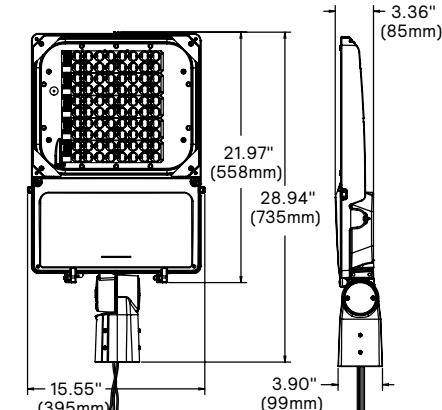
Luminaire weight: 20 lbs (9.1 kg)

DuraForm medium FLDM



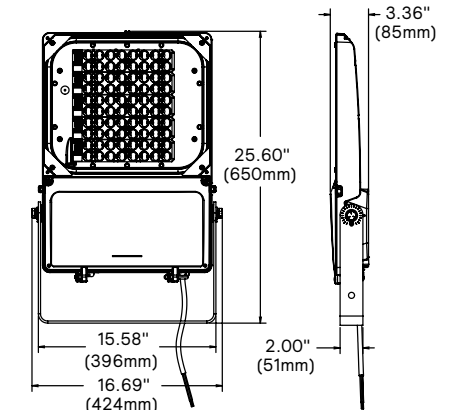
SFC

Luminaire weight: 23 lbs (10.4 kg)



SLF

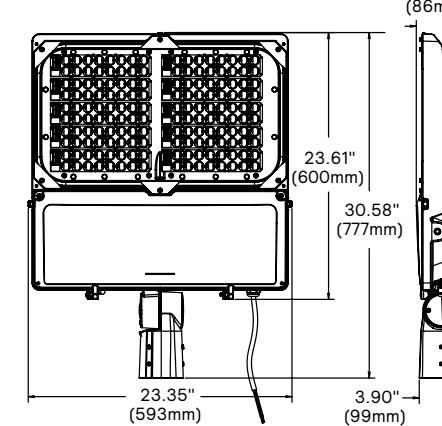
Luminaire weight: 23 lbs (10.4 kg)



YOK

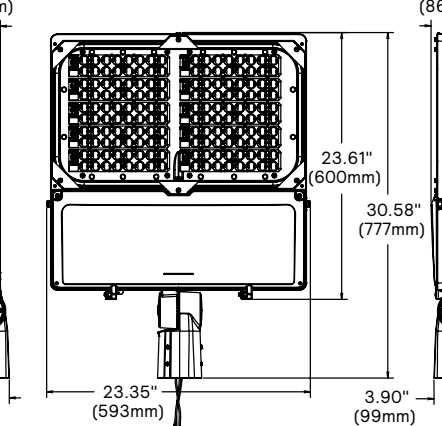
Luminaire weight: 24 lbs (10.9 kg)

DuraForm large FLDL



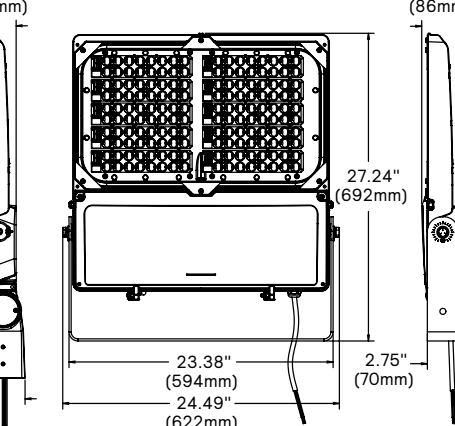
SFC

Luminaire weight: 36 lbs (16.3kg)



SLF

Luminaire weight: 36 lbs (16.3 kg)

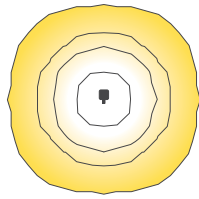


YOK

Luminaire weight: 43 lbs (19.5 kg)

Distributions

Controls



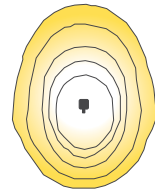
SPT Spot 12° Round (NEMA 2x2)
20' or 6.10m setback, 0° tilt

- flags
- tighter spotlighting
- accenting
- taller columns
- tighter scalloping
- taller structures
- taller monuments and statues
- tallest trees



RSP Rectangular Spot (NEMA 3x3)
15' or 4.57m setback, 0° tilt

- flags
- spotlighting
- accenting
- columns
- scalloping
- structures
- monuments and statues
- taller trees.



NFL Narrow Flood (NEMA 4x4)
30' or 9.14m mounting height, 45° tilt

- area lighting
- storage yards
- transportation terminals
- trailer lots
- utility sub-stations
- prison yards
- ports
- industrial sites
- facades and structures
- monuments and statues.



Luminaire solutions

Basic. Autonomous. Affordable.

Simple, individual outdoor lighting dimming and management without the need for remote access.

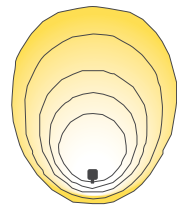
- 0-10V Dimming
- Field Adjustable Wattage Selector
- 7-pin NEMA twist-lock receptacle
- PCB photocell
- DALI driver

For more information on controls

Visit us at lightingproducts.signify.com for more on stand-alone and connected outdoor lighting solutions, and select Controls Outdoor, or request our outdoor lighting solutions brochure.

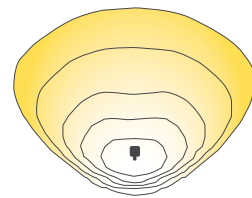
Ensure that you're getting the most of your time and money by choosing DuraForm.

Go to gardcolighting.com/DuraForm to find out more.



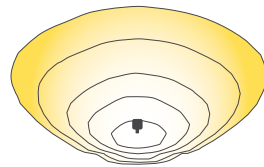
MFL Medium Flood (NEMA 5x5)
30' or 9.14m mounting height, 45° tilt

- area lighting
- storage yards
- transportation terminals
- trailer lots
- utility sub-stations
- prison yards
- ports
- industrial sites
- fence perimeters and borders
- facades and structures
- monuments and statues



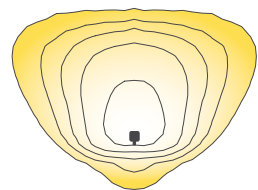
WFL Wide Flood (NEMA 6x6)
30' or 9.14m mounting height, 45° tilt

- area lighting
- storage yards
- transportation terminals
- trailer lots
- utility sub-stations
- prison yards
- ports
- industrial sites
- fenced perimeters and borders
- large facades



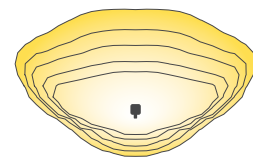
7x6 (NEMA 7x6)
30' or 9.14m mounting height, 45° tilt

- area lighting
- utility sub-stations
- fence perimeters and borders
- wall grazing
- large and taller facades
- signs (especially larger and taller ones)



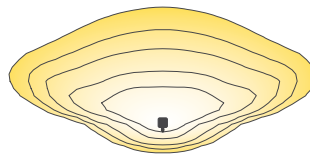
A33 Asymmetric 33° Flood (NEMA 6x5)
30' or 9.14m mounting height, 30° tilt

- area lighting
- storage yards
- transportation terminals
- utility sub-stations
- wall washing
- large facades and structures
- monuments and statues
- trees with large canopies



RMF Rectangular Medium Flood (NEMA 7x4)
10' or 3.05m setback, 30° tilt

- building entrances and exits
- security lighting
- signs
- ornamental trees and shrubs
- checkpoints and inspection stations



RNF Rectangular Narrow Flood (NEMA 7x5)
15' or 4.57m setback, 45° tilt

- facades
- wall grazing
- signs (especially larger and more rectangular)

Turn your challenges into success stories

We understand that your lighting projects often bring unique requirements and need highly specialized solutions. Let us help.

Whether you need:

- BAA Compliant*
- Special mounting options
- Additional color temperatures
- Special finishes
- Simple to complex modifications
- Aesthetic modifications
- Performance modifications

Gardco's "Engineered to Order" Program has you covered.

Leverage the knowledge and competencies of our organization to support your customers' projects. Trust in our leadership and quality as we work closely with you through every stage.

*As of the date of this document, DuraForm BAA Compliant luminaires, with the use of the "BAC" suffix, meet the requirements of the Buy American Act of 1933 (BAA). Failure to properly select the "BAC" suffix could result in you receiving product that is not BAA compliant product with no recourse for an RMA or refund. This BAC designation hereunder does not address (i) the applicability of, or availability of a waiver under, the Trade Agreements Act, or (ii) the "Buy America" domestic content requirements imposed on states, localities, and other non-federal entities as a condition of receiving funds administered by the Department of Transportation or other federal agencies. Prior to ordering, please visit www.signify.com/baa to view a current list of BAA-compliant products to confirm product's current compliance.

Luminaires you need from brands you trust

Signify understands the diverse needs of utility companies and the pressures you face to provide a reliable solution that will satisfy your customers' demands. Choose us, and make your job easier.

With a full portfolio of utility products and reliable industry brand names like Gardco, Lumec, and Hadco, Signify has a solution for all of your utility lighting needs. All of these high efficiency LED products are designed with the latest technology, are future proof with controls options and compatibility, and offer a broad range of lumen output and mounting options.

Lumec Roadway

Cobraheads



RoadFocus

Off-Road



RoadFocus Off-road

Highmast



HighFocus

Security Lights



Roadway Security Light (RSL)

Tunnel & Underpass



TunnelView

TubeLine

Gardco Floodlights



DuraForm

Lumec Decorative



UrbanScape

MetroScape

TownGuide

Domus



Renaissance

Hadco Decorative



MainView

TownView

Hagerstown

Contact your sales representative to start your customization journey today!

