

LIGHTOLIER

by Signify

Add style and
light to any
space easily

Downlighting

SlimSurface series



SlimSurface

Surface mount downlighting

SlimSurface is a low profile LED downlight intended for ceiling or wall mount applications. This $\frac{5}{8}$ " thick luminaire is easy to install on standard J-boxes with a quick snap. Specifiers will appreciate the multiple application opportunities with the latest surface mount LED downlight performance and installation enhancements. Contractors will have a positive experience working with a hassle-free downlight installation.

The next trend in lighting

SlimSurface LED downlights deliver various lumen packages with great visual comfort by leveraging the latest LED technology and optical enhancements.

This surface mount downlight is designed for installation in most standard J-boxes:

- 3½" round (plastic)
- 4" octagonal (metal)
- 4" square (plastic & metal)*

SlimSurface LED downlights can also be installed on a wall as a wall light. Available in round and square, slim surface mount downlighting is the next lighting trend.

Endless possibilities

SlimSurface LED downlights are perfect for:

- Residential applications (kitchens, hallways, living spaces)
- High rise multi-family applications (condos, apartments)
- Hospitality applications (restaurants, hotels)
- Healthcare applications (nursing/retirement homes)

Specific applications for SlimSurface LED downlights include; hallways, bathrooms, basements, entry ways, porches, stairways, work areas, utility closets, corridors, elevators and other small spaces. A wet location listing allows for use in showers and bathrooms (if local code requires).

Problem solver

SlimSurface LED downlights are the perfect solution where there is no plenum space for a recessed downlight. It also eliminates the need for AirSeal recessed housings or fire rated boxes, which allows for a reduction in material and installation costs.

- Low glare
- Decrease labor costs
- Downlight appearance
- Damp location (wall mount)
- Wet location (covered ceilings) excluding all S10R models

* Not compatible with 4"round and 5" square versions.



Features

- Apertures: Round & Square
- Optics: Glare controlling lens for comfortable light distribution
- Finishes: White, Aluminum, Black, & Metallic
- Efficacy: Up to 57-94lm/w
- CRI: 80 & 90 min
- CCT: 2700K, 3000K, 3500K & 4000K
- Lumens: 650 (4" & 5"), 1000lm (6" & 7") & 2200lm (10")
- Wattage: 9.1 to 13.5W
- Dimming/Voltage: ELV / Triac (120V) & 0-10V (120V-277V)
- Lifetime: 50,000 hrs (L70)
- cULus listed suitable for:
 - Damp and wet locations (wall mount applications)
 - Wet loc. (covered ceilings) excluding all S10R models
- Certifications: ENERGY STAR®
- Warranty: Std. 5-year limited*

* Visit philips.com/warranties for more information on the standard 5-year limited warranty.



Keep a low profile

A low profile downlight intended for ceiling or wall mount applications.

This $\frac{5}{8}$ " thick luminaire is easy to install on standard J-boxes with a quick snap.



Actual size of the 7" model shown.

Benefits

- The thinnest available solution with an integral driver
- Solves the problem of limited plenum space
- Easy to install on standard J-boxes with a quick snap
- Provides an affordable alternative to Air-Seal IC recessed housings or Fire-Rated boxes
- Wet location listing allows for use in showers and bathrooms excluding all S10R models (if local code requires)
- Edge-lit technology (flex strip LEDs) will give even illumination with no dark spots and shadows



Applications

SlimSurface LED downlight is characterized by a completely flat lens with a narrow flange, giving it an architecturally pleasing look. This downlighting solution offers an affordable alternative to AirSeal IC recessed housings or Fire-Rated boxes, reducing material and installation costs. The 0-10/277V configuration allows SlimSurface LED downlight to expand into commercial spaces and expands its dimming compatibility options.



Outdoor



Multi-purpose



Hallways



Bathroom



Wall mount

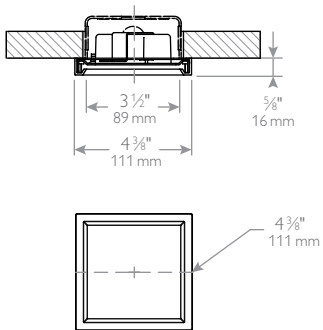
Square apertures

SlimSurface is an easy to install architecturally pleasing low profile downlight. It leverages the latest LED technology, and features a similar performance to typical recessed downlights but in a surface mount design. Whether you choose square or round trims, you can also choose from 5", 7", or 10" apertures for a consistent look within commercial or residential applications. By delivering high lumen output and great visual comfort, this 5/8" surface mount downlight is appealing to both specifiers and contractors.

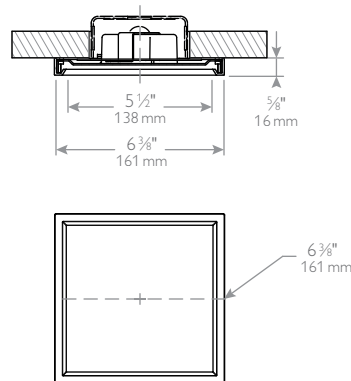


Square 4" and 6" shown.

Square 4" downlight



Square 6" downlight



Ordering guide

example: S4S930K7BK

Family	CRI / CCT	Lumens	Finish	Dimming
S4S SlimSurface 4" Square	827K 80 CRI / 2700K CCT	7 650lm (S4S only)	— White	— ELV / Triac (120V)
S6S SlimSurface 6" Square	830K 80 CRI / 3000K CCT	10 1000lm (S6S only)	AL Aluminum	
	835K 80 CRI / 3500K CCT		BK Black	
	840K 80 CRI / 4000K CCT		W White	Z10U 0-10V (120V-277V)
	927K 90 CRI / 2700K CCT		AL Aluminum	
	930K 90 CRI / 3000K CCT		BK Black	

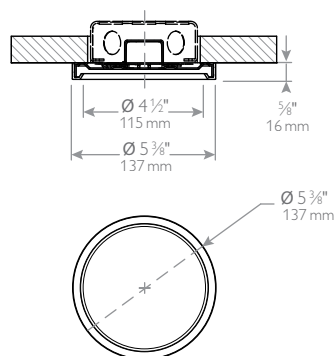
Round apertures

Now available in a 10" aperture with a high end, specification grade, metal trim. The SlimSurface 10" luminaire is also available in the same finishes as the 5" & 7" aperture's to provide a consistent trim style and match any design. This 2,200lm configuration provides a high amount of light to help illuminate larger spaces where smaller surface mount down lights can not perform effectively. SlimSurface is perfect for hallways, entry ways and even the traditional center-of-the-room installations.

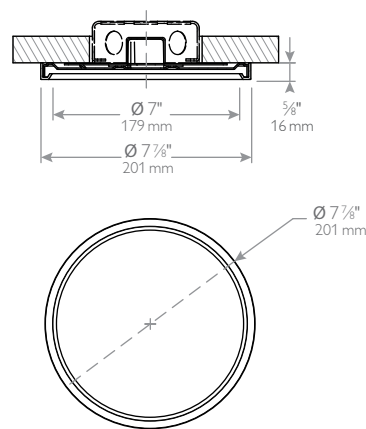


Round 5", 7" and 10" shown.

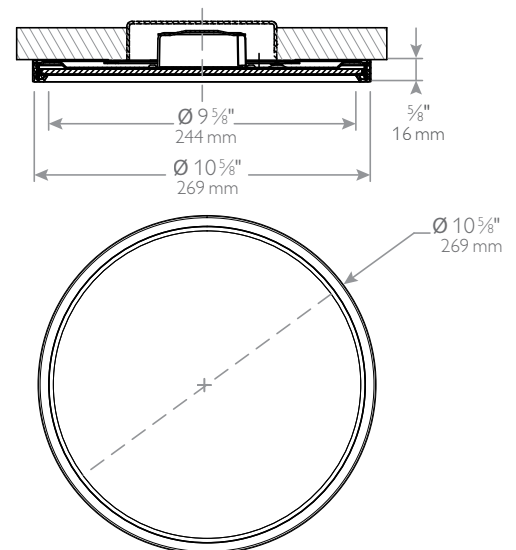
Round 5" downlight



Round 7" downlight



Round 10" downlight



Ordering guide

example: S5R830K7WH

Family	CRI / CCT	Lumens	Finish	Dimming
S5R SlimSurface 5" Round	827K 80 CRI / 2700K CCT	7 650lm (S5R only)	— White	— ELV / Triac (120V)
S7R SlimSurface 7" Round	830K 80 CRI / 3000K CCT	10 1000lm (S7R only)	AL Aluminum	
S10R SlimSurface 10" Round ¹	835K 80 CRI / 3500K CCT	22 2200lm (S10R only)	BK Black	
	840K 80 CRI / 4000K CCT		MT Metallic ²	
	927K 90 CRI / 2700K CCT		W White	Z10U 0-10V (120V-277V)
	930K 90 CRI / 3000K CCT		AL Aluminum	
			BK Black	
			MT Metallic ²	

1. SlimSurface LED 10" round installs into 4-11/16" J-box (not wet location listed).
 2. Only available with 10" (S10R) configurations.

