

Benefit from commercial quality downlighting equipped for renovation, retrofit, and new construction projects with ModuLyte. Meeting job timelines, staying within budget, and navigating changing decisions just got a lot easier with modular design that puts flexibility at your fingertips.



Peace-of-mind with ModuLyte during design, installation, and maintenance

- **Selectable CCTs:**
2700K / 3000K / 3500K / 4000K / 5000K
- **Selectable lumens:**
Output ranging from 500lm to 5000lm
- **Selectable switches:**
Conveniently toggle switches to make adjustments, resulting in the right light for each environment



© 2024 Signify Holding. All rights reserved. The information provided herein is subject to change, without notice. Signify does not give any representation or warranty as to the accuracy or completeness of the information included herein and shall not be liable for any action in reliance thereon. The information presented in this document is not intended as any commercial offer and does not form part of any quotation or contract, unless otherwise agreed by Signify.

All trademarks are owned by Signify Holding or their respective owners.

PLu-2405PM 06/24 www.lightolier.com

Signify North America Corp.
400 Crossing Blvd, Suite 600
Bridgewater, NJ 08807
Telephone: 800-555-0050

Signify Canada Ltd.
281 Hillmount Road,
Markham, ON, Canada L6C 2S3
Telephone: 800-668-9008

LIGHTOLIER

Downlighting

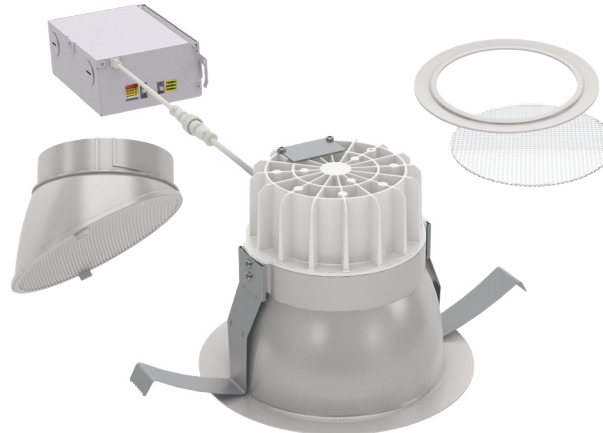
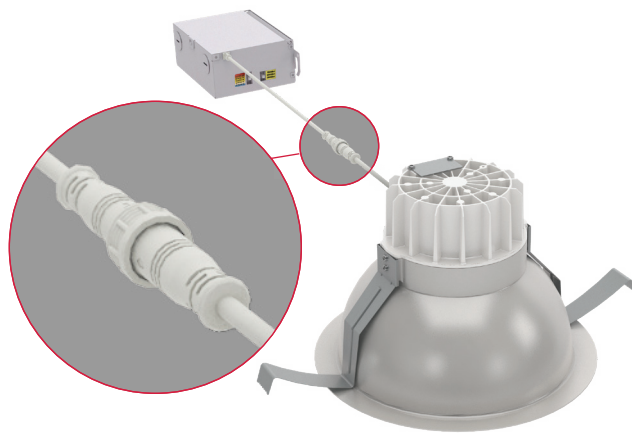
ModuLyte

Description



Flexibility at your fingertips





Stress less about deadlines thanks to ModuLyte's contractor-friendly install

- **Quick connect:**
Low voltage plenum-rated cable screws together with twist-lock to attach driver to light engine
- **Retention spring:**
Designed for shallow ceiling plenum and easy maneuvering
- **Easy access:**
To driver after installation

Be equipped with commercial-grade options on day one for renovation, retrofit, and new construction

- **Apertures:**
Round 4", 6", & 8"
- **Frames:**
Optional architecture
- **Optics:**
Interchangeable beams and wall wash
- **Accessories:**
Goof ring available
- **Connectivity:**
Interact ready

Providing core commercial performance, aesthetics and flexibility needed on commercial projects

- **8" Aperture:**
for easy retrofits and relamping projects
- **Beams:**
Wide and Medium, Asymmetric Wall Wash
- **Reflectors:**
Specular Clear, Comfort Clear Diffuse, White, Black
- **Flanges:**
White, Black, Polished (matches aperture)