

LED PATRON™

DIE CAST ALUMINUM AC/EMERGENCY

INSTALLATION & OPERATION INSTRUCTIONS

IMPORTANT SAFEGUARDS

WARNING: Electrical Shock Potential!! Do not attempt to install, maintain or re-lamp without disconnecting all power. Failure to disconnect power can result in electrocution, shock, or severe burns.

CAUTION: This fixture is designed for permanent installation in ordinary (NON-HAZARDOUS) locations in accordance with the National Electrical Code and all applicable local codes. Do not use in areas of limited ventilation or in high ambient enclosures. The lamp and fixture operate at high temperatures; contact with combustible material can cause fire and personal contact can cause severe burns. When using electrical equipment, base safety precautions should always be followed; including the following:

1. READ AND FOLLOW ALL SAFETY INSTRUCTIONS.
2. Review the diagrams thoroughly before installation. If you feel you do not have electrical wiring experience, refer to a do-it-yourself wiring handbook or have your fixture installed by a qualified licensed electrician.
3. All electrical connections must be in accordance with local codes, ordinances, and the National Electric Code. If you are unfamiliar with methods of installing electrical wiring, secure the services of a qualified electrician.
4. Before starting the installation, disconnect the power by turning off the circuit breaker or by removing the appropriate fuse at the fuse box. Turning the power off using the light switch is not sufficient to prevent electrical shock.
5. Do not let power supply cords touch hot surfaces.
6. Do not mount near gas or electric heaters.
7. Use caution when servicing batteries. Battery acid can cause burns to skin and eyes. If acid is spilled on skin or in eyes, flush acid with fresh water and contact a physician immediately.
8. Equipment should be mounted in locations and at heights where it will not readily be subjected to tampering by unauthorized personnel.
9. The use of accessory equipment not recommended by the manufacturer may cause an unsafe condition.
10. Do not use this equipment for other than intended use.
11. All servicing should be performed by qualified personnel only.
12. Allow battery to charge for 72 hours before first use.

UNPACK THE FIXTURE

Check the contents of the box. You should receive

1. LED PATRON Die-Cast emergency light equipment
2. Parts Bag
3. NiCad Battery and Battery Bracket

NOTE: First turn off electricity.

WALL MOUNTING

1. Remove top cover from back plate with screwdriver (see Fig.1).
2. Remove the knock out hole on center and knock out slots on the back plate corresponding to junction box holes being used.
3. Feed AC supply leads through center hole on the back plate into the junction box, then make the proper supply lead connections. See electrical connection section below (see Fig.2).
4. Mount back plate to junction box with screw provided #8-32X1 (see Fig.3).
5. Install battery assembly on back plate, connect battery connector, confirm LED connector from top cover is connected (see Fig.3).
6. Snap top cover to back plate.
7. Restore power and press test button. Power LED is under battery power during test.

SURFACE MOUNTING WITH CONDUIT

1. Remove top cover from back plate with screwdriver (see Fig.1).
2. Unscrew plug from top of back plate.
3. Secure the screw on conduit entering back plate (see Fig.4).
4. Make the proper supply lead connections. See electrical connection section below (see Fig.2).
5. Connect battery connector, confirm LED connector from top cover is connected (see Fig.4).
6. Snap top cover to back plate.
7. Restore power and press test button. Power LED is under battery power during test.

ELECTRICAL CONNECTIONS

Connect AC supply wires to transformer leads. Observe the wire colors.

BLACK wire 120 volt AC input. (AC/General Lighting & Emergency Lighting)

ORANGE wire 277 volt AC input. (AC/General Lighting & Emergency Lighting)

WHITE wire Neutral AC input. (AC/General Lighting & Emergency Lighting)

GREEN wire ground.

Note: The wall switch must be on the AC/General lighting wires.

REPLACEMENT POWER LED: Please contact factory.

CAUTION: THE INSTALLATION AND SERVICING OF THIS PRODUCT SHOULD BE PERFORMED BY A QUALIFIED ELECTRICIAN OR SERVICE PERSONNEL
 ATTENTION : L'INSTALLATION ET L'ENTRETIEN DE CE PRODUIT DOIVENT ÊTRE EFFECTUÉS PAR UN ÉLECTRICIEN OU UN MEMBRE DU PERSONNEL QUALIFIÉ.

OPENING TOP COVER

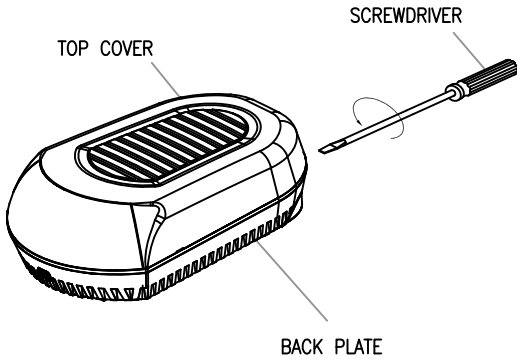


Fig.1

ELECTRICAL CONNECTIONS

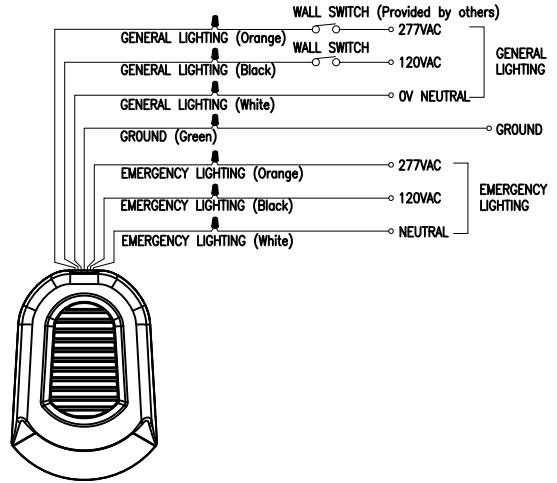


Fig.2

WALL MOUNTING

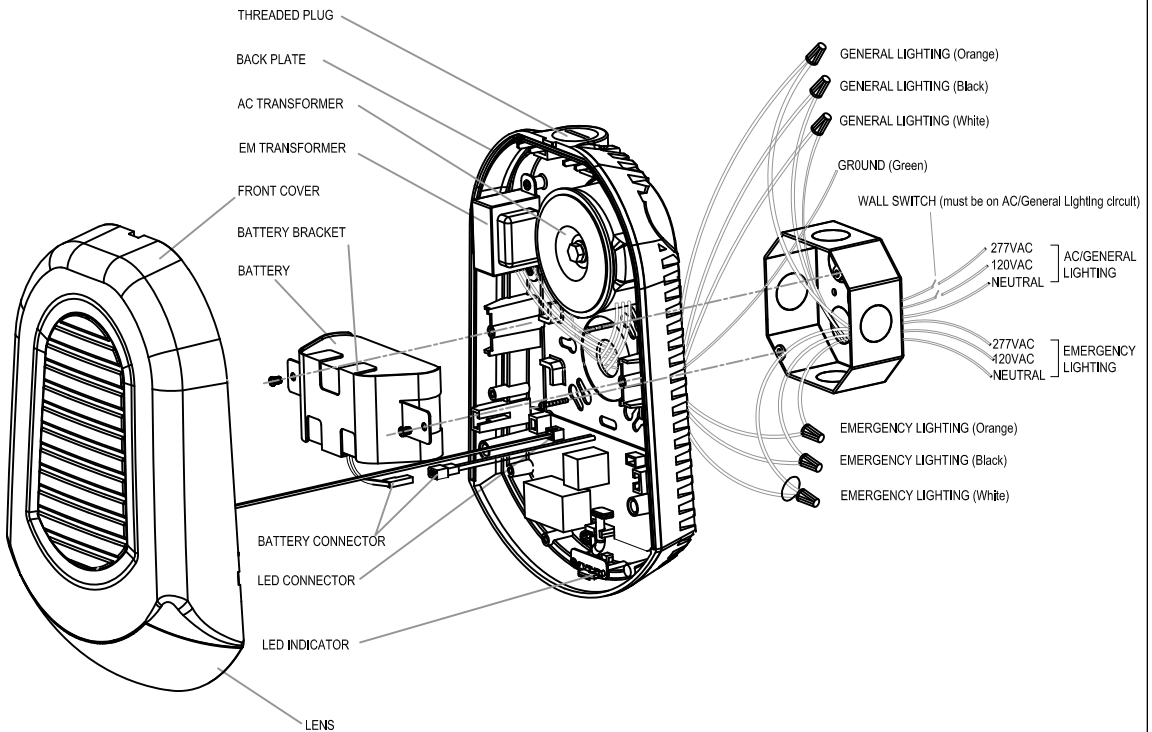


Fig.3

CAUTION: Electrical luminaires are designed for permanent installation in ordinary (Non-Hazardous) locations in accordance with the National Electrical Code and all applicable local codes. Do not use in areas of limited ventilation or in high ambient enclosures. The lamp and luminaire operate at high temperatures, contact with combustible materials can cause fire and personal contact can cause severe burns.

ATTENTION: Ce luminaire a été conçu pour une installation permanente dans un emplacement régulier (non dangereux) et en conformité avec le Code électrique canadien et codes locaux applicables. Ne jamais installer dans un endroit où la ventilation est limitée ou dans des boîtiers où la température ambiante est très élevée. La lampe et le luminaire fonctionnent à des températures élevées, un contact avec des matériaux combustibles peut engendrer un incendie et un contact corporel peut causer de sévères brûlures.

CAUTION: THE INSTALLATION AND SERVICING OF THIS PRODUCT SHOULD BE PERFORMED BY A QUALIFIED ELECTRICIAN OR SERVICE PERSONNEL

ATTENTION : L'INSTALLATION ET L'ENTRETIEN DE CE PRODUIT DOIVENT ÊTRE EFFECTUÉS PAR UN ÉLECTRICIEN OU UN MEMBRE DU PERSONNEL QUALIFIÉ.

SURFACE MOUNTING WITH CONDUIT

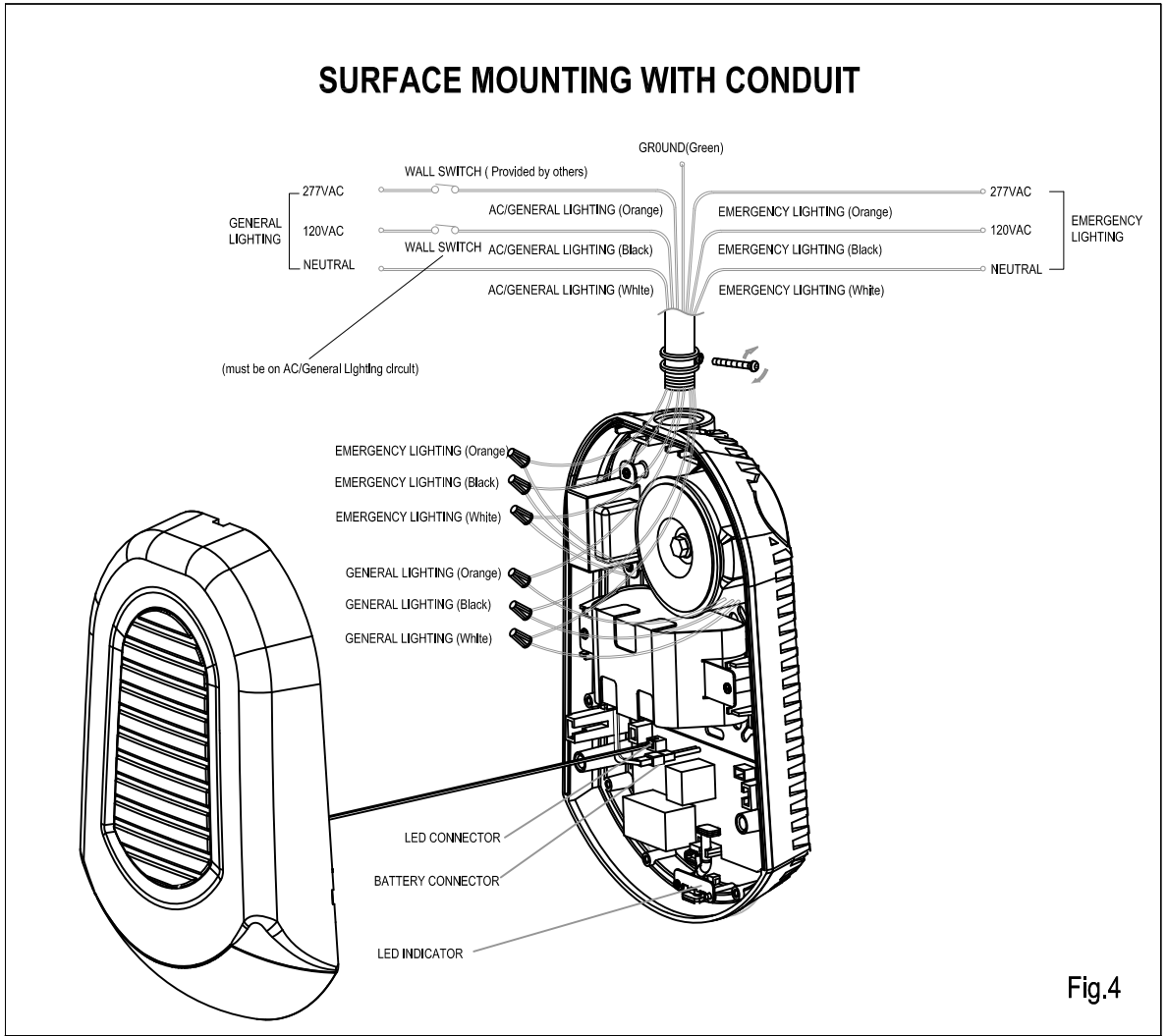


Fig.4

CAUTION: Electrical luminaires are designed for permanent installation in ordinary (Non-Hazardous) locations in accordance with the National Electrical Code and all applicable local codes. Do not use in areas of limited ventilation or in high ambient enclosures. The lamp and luminaire operate at high temperatures, contact with combustible materials can cause fire and personal contact can cause severe burns.

ATTENTION: Ce luminaire a été conçu pour une installation permanente dans un emplacement régulier (non dangereux) et en conformité avec le Code électrique canadien et codes locaux applicables. Ne jamais installer dans un endroit où la ventilation est limitée ou dans des boîtiers où la température ambiante est très élevée. La lampe et le luminaire fonctionnent à des températures élevées, un contact avec des matériaux combustibles peut engendrer un incendie et un contact corporel peut causer de sévères brûlures.

CHLORIDE

Signify North America Corporation
200 Franklin Square Drive
Somerset, NJ 08873, USA
Phone: 855-486-2216
www.chloride-lighting.com

Signify Canada Ltd./Signify Canada Ltée.
281 Hillmount Road
Markham ON, Canada L6C 2S3
Phone: 800-668-9008

12NC: 443580500591

CAUTION: THE INSTALLATION AND SERVICING OF THIS PRODUCT SHOULD BE PERFORMED BY A QUALIFIED ELECTRICIAN OR SERVICE PERSONNEL

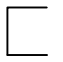
ATTENTION : L'INSTALLATION ET L'ENTRETIEN DE CE PRODUIT DOIVENT ÊTRE EFFECTUÉS PAR UN ÉLECTRICIEN OU UN MEMBRE DU PERSONNEL QUALIFIÉ.

INSTRUCTIONS FOR SELF-DIAGNOSTICS/SELF-TESTING FUNCTION

1. **Install Emergency Lighting according to Installation Instruction sheet.**
2. **As soon as AC power is supplied to fixture, the unit will automatically initiate a self-Test and self-Diagnostic test as follows:**

- (1) Tests for battery connection, charger failure, lamp failure and transformer failure every 5 seconds.
- (2) Once a month, one-minute Self-Testing (battery discharge test).
- (3) Every 6 months, 30 minutes Self-Testing (battery discharge test).
- (4) Once a year, 90 minutes Self-Testing (battery discharge test).

3. **Dual color LED Indicator lamp shows the following status:**

- (1) Green color (Operating Status)  ON/ Ready
Blinking: Testing

- (2) Red color (Service Alert) see table

●	One blink ON/pause (4 seconds)	Battery is not connected - check battery connection
● ●	Two blinks ON/pause (4 seconds)	Battery is shorted or battery voltage drops below an acceptable value - replace battery
● ● ●	Three blinks ON/pause (4 seconds)	Charger board circuit fault - replace charger board
● ● ● ●	Four blinks ON/pause (4 seconds)	Transfer function fault - replace charger board
● ● ● ● ●	Five blinks ON/pause (4 seconds)	Power LED lamp fault - check LED connector

NOTE:

After correcting the emergency equipment fault, press test button for 2 seconds without releasing. LED lamp will be green.

4. **For manual test, press test button as follows:**

Press test button once (within 2 seconds)	1 minute test
Press test button twice (within 2 seconds)	5 minute test
Press test button 3 times (within 2 seconds)	30 minute test
Press test button 4 times (within 2 seconds)	90 minute test

CAUTION: Electrical luminaires are designed for permanent installation in ordinary (Non-Hazardous) locations in accordance with the National Electrical Code and all applicable local codes. Do not use in areas of limited ventilation or in high ambient enclosures. The lamp and luminaire operate at high temperatures, contact with combustible materials can cause fire and personal contact can cause severe burns.

ATTENTION: Ce luminaire a été conçu pour une installation permanente dans un emplacement régulier (non dangereux) et en conformité avec le Code électrique canadien et codes locaux applicables. Ne jamais installer dans un endroit où la ventilation est limitée ou dans des boîtiers où la température ambiante est très élevée. La lampe et le luminaire fonctionnent à des températures élevées, un contact avec des matériaux combustibles peut engendrer un incendie et un contact corporel peut causer de sévères brûlures.