

PHILIPS

Landscape

iColor MR gen3
BL5016



Create visually stunning landscapes that attract attention

Philips Hadco and Philips Color Kinetics have partnered to provide you with customized landscape lighting with the push of a button. Whether you want your yard to stand out, celebrate the seasons, or draw attention to different focal points, this lighting provides you with a variety of options, with a quality guarantee.

Benefits

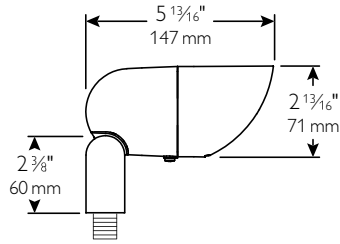
- Thorough testing of the lamp-fixture combination ensures peace of mind.
- Enjoy the freedom to create colorful options in your landscape.
- Be the envy of others as you bring life and drama to a yard.

Philips Hadco aluminum accent BL5016

Accent ordering guide

Series	Finish	Mount
BL5016	<input type="checkbox"/>	S7
BL5016 Aluminum accent	A Black G Verde H Bronze	S7 Stake

Note: Fixture and lamp must be ordered separately and will ship separately.



Housing

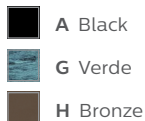
Die-cast marine grade aluminum alloy with fully-adjustable swivel arm and vibration-proof locking teeth. 1/2" NPS male threads to screw onto accessory mounting stake or junction box (sold separately). Gasketing is silicone and fasteners are 300 series stainless steel.

Shroud

Fully-rotatable, double gasketed, die-cast marine grade aluminum alloy.

Finish

Thermoset powder coated in; black, bronze, or hand-rubbed verde antiqued over black. Electrostatically applied after a five-stage conversion cleaning process and bonded by heat fusion thermosetting.



Optics

Clear tempered glass, affixed at 10° angle for natural cleaning.

Wiring

This 12 Volt fixture is pre-wired with a 3ft. pigtail of 18-2 AWG, 105° C, SPT-1W wire for easy hookup to the low voltage supply cable. Low voltage quick connector, catalog #LVC3 included for easy hook-up to the low voltage supply cable (not included). 12 Volt system requires remote transformer (not included).

Socket

Bi-pin socket type (GU5.3) with 250° C high temperature teflon coated wire leads. Stainless steel retention clip affixed to socket to securely hold lamp in place.

Labels

ETL and cETL listed.
5-year limited warranty.

Philips Color Kinetics iColor MR gen3 lamp

iColor MR gen3 SKUs

iColor MR gen3 17 degree
101-000074-00 – 910503704252

iColor MR gen3 30 degree
101-000074-01 – 910503704288

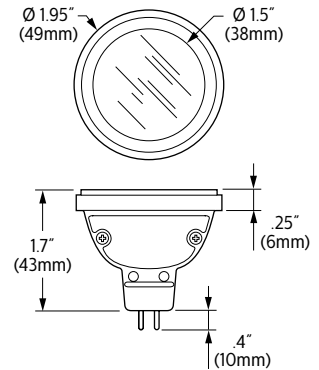
iColor MR gen3 90 degree
101-000074-02 – 910503704289

PDS-70mr 24V Power/Data Supply Pre-Programmed
109-000018-00 – 910503700098

PDS-70mr 24V Power/Data Supply DMX
19-000018-01 – 910503700099

PDS-70mr 24V Power/Data Supply Ethernet
109-000018-02 – 910503700583

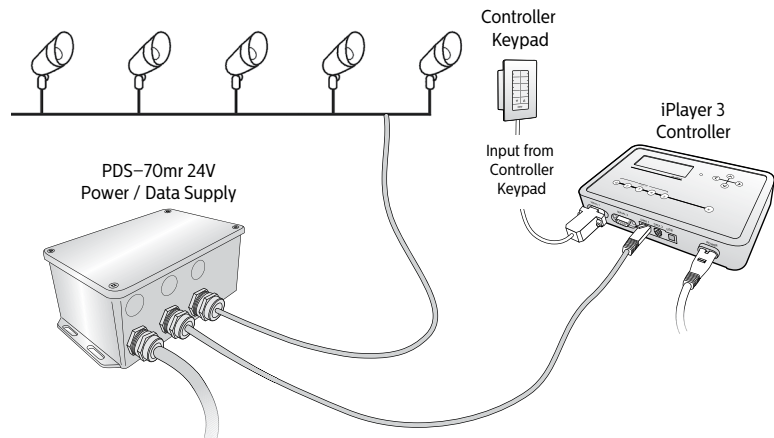
Note: The DMX and Ethernet Power/Data Supplies require a Philips controller such as Light System Manager (Ethernet) or iPlayer3 (DMX) or a third party DMX controller for a working system.



iColor MR gen3 lamp additional details

<http://www.colorkinetics.com/ls/rgb/icolormr/gen3/>

Lighting layout / required components



© 2016 Philips Lighting Holding B.V. All rights reserved.
Philips reserves the right to make changes in specifications and/or to discontinue any product at any time without notice or obligation and will not be liable for any consequences resulting from the use of this publication.
philips.com/luminaires

PLT-16158BN 07/16 philips.com/luminaires



Philips Lighting North America Corporation
200 Franklin Square Drive, Somerset, NJ 08873
Tel. 855-486-2216

Philips Lighting Canada Ltd.
281 Hillmount Rd, Markham, ON, Canada L6C 2S3
Tel. 800-668-9008