

# SLX-60 Self Luminous Exit Sign

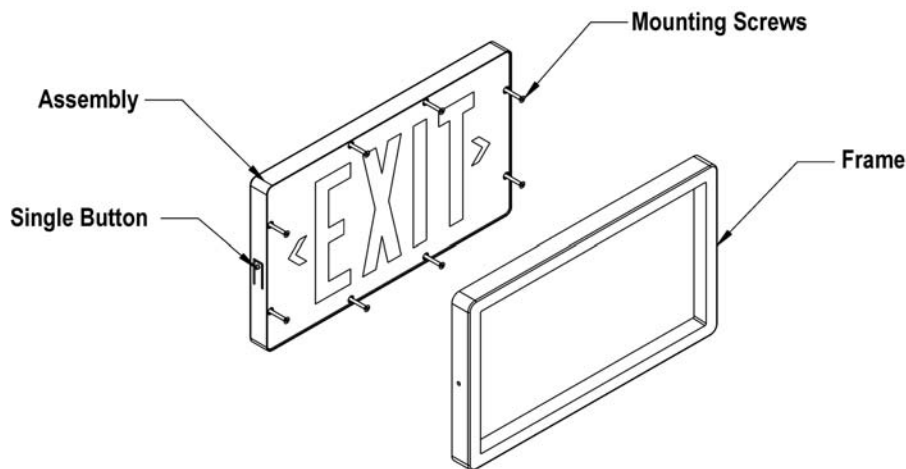
## Installation Instructions

### SAVE THESE INSTRUCTIONS

**INSTALLATION** Methods of mounting available for both single and double face units:

#### Flush to wall, single face mounting

- 1) The sign has eight (8) mounting holes which are covered by the outer frame.
- 2) Remove the frame from the assembly by pressing the single button in on the left end of sign. Swing frame away from sign until it clears the back. Slide frame to the right to clear the pins on the right side of the assembly housing.
- 3) Select the mounting holes which best suit your application and using the screws provided, fix the unit to the wall.
- 4) Replace the frame by reversing the steps above. Push in pin on the left end to allow the frame to slide over it.



#### End, ceiling or pendant single face mounting

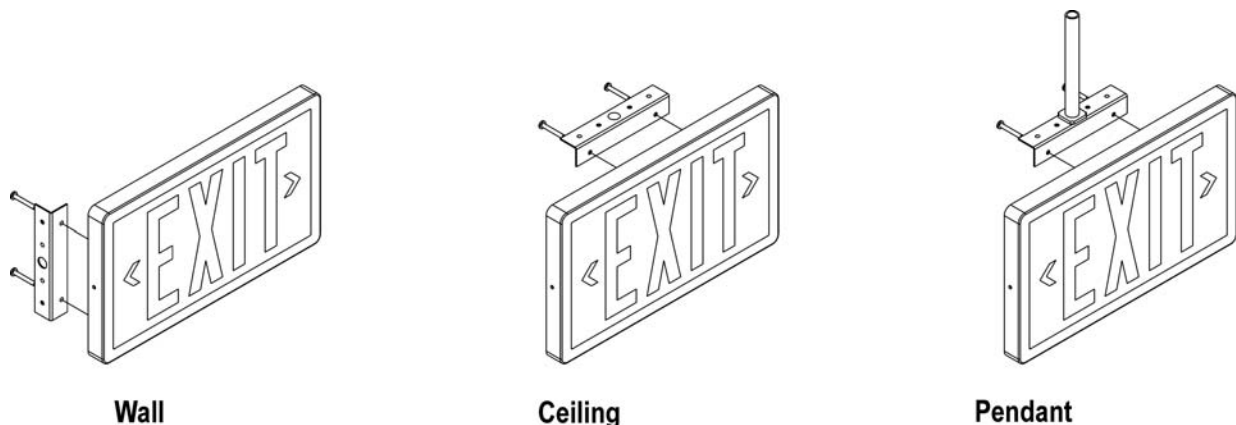
1) The bracket provided can be used in several optional positions to allow mounting of the assembly from either end, (to stand off the wall), or top, (ceiling mount hanging down), as illustrated.

1a) Assemble the two (2) 5/8" self tapping screws provided, through the bracket and matching unit holes, into plastic housing & tighten.

1b) Use the remaining two (2) bracket holes and 1-1/2" course thread screws to mount the unit to the surface chosen.

2) For pendant mount, assemble bracket as above for ceiling mount, keeping large hole in bracket exposed.

2a) Use the large hole to run pendant tubing through. Double nutting, as illustrated, is recommended for stability.



(Continued on Back)

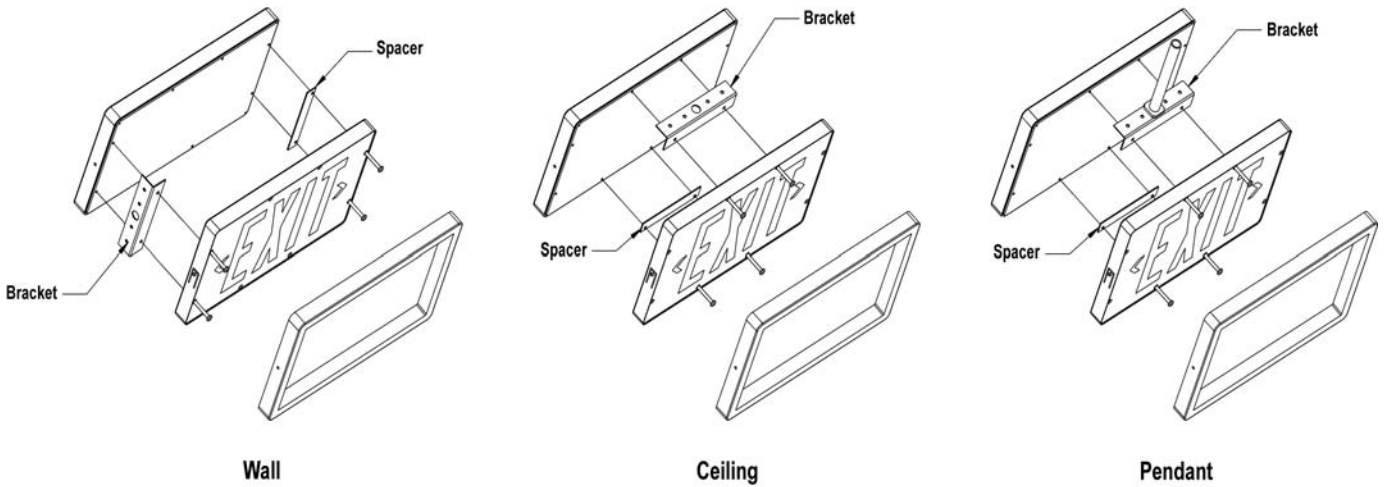
**Ceiling, wall or pendant , double face mounting.**

1) Mount bracket to surface, using the two (2) black screws.

1a) Remove frame surrounds from two assemblies, attach assemblies back to back, inserting spacer between them as shown, and secure using two (2) of the four (4) 1 1/2" coarse threaded screws provided.

1b) Locate new, double assembly with the previously mounted bracket, as a sandwich, and run the last two (2) screws through the assembly, as shown. Check unit for squareness to wall before tightening the last two (2) screws.

1c) Replace both frames as detailed in the "flush to wall, single face mounting" instructions above.



**\*\*Note: Do Not over tighten those screws which do not pass through the spacer or bracket as this may warp the assembly\*\***

**Pendant mounting**

1) Same as above except check parallelism to ceiling before final tightening of screws. With pendant mount, use double nut assembly as shown to connect pendant to bracket and continue as above for ceiling mount.

