



Alkco's 6" Specialty Downlight provides a versatile lighting solution for a broad range of applications, with configurations available for medical and cleanroom environments.

**Standard luminaire:** Complete luminaire = Frame + Engine + Trim + Accessories (optional)

**Buy American Act of 1933 (BAA)\*\* Compliant luminaire\*:** Complete luminaire = Frame-BAC + Engine-BAC + Trim-BAC

\* BAA compliance requires that BAC option be selected for each of frame, engine, and trim. Frame and engine will be ordered/shipped together; trim will be ordered/shipped separately. Accessories (optional) are not currently BAA-compliant.

Project: \_\_\_\_\_  
 Location: \_\_\_\_\_  
 Cat.No: \_\_\_\_\_  
 Type: \_\_\_\_\_  
 Line ID: \_\_\_\_\_ Qty: \_\_\_\_\_  
 Notes: \_\_\_\_\_

### Order Logic: Static White

#### Frame

Example: ASD6SEM6

| Family                         | Size     | Shape    | Voltage/Options   |
|--------------------------------|----------|----------|---|
| <b>ASDF</b>                    | <b>6</b> | <b>S</b> |   |
| ASDF Specialty downlight frame | 6 6"     | S Square | EM6 <sup>1</sup> Emergency, 6W<br>LC <sup>2</sup> Chicago Plenum<br>BAC <sup>3</sup> Meets the requisites of the Buy American Act of 1933 (BAA) |

#### Engine

Example: ASDE6030935Z10D20U

| Family                          | Size       | Lumens  | CRI/CCT  | Beam                           | Dimming  | Options  | Voltage  | Options   |
|---------------------------------|------------|---|--|--------------------------------|--|--|--|---|
| <b>ASDE</b>                     | <b>60</b>  |   |  |                                |  |  |  |   |
| ASDE Specialty downlight engine | 60 6" Open | 10 1000lm<br>15 1500lm<br>20 2000lm<br>25 2500lm<br>30 3000lm<br>35 3500lm<br>40 4000lm<br>50 5000lm<br>60 6000lm | 927 90CRI 2700K<br>930 90CRI 3000K<br>935 90CRI 3500K<br>940 90CRI 4000K | N Narrow<br>M Medium<br>W Wide | Z10 <sup>4</sup> 0-10V 1% (up to 6000lm)<br>L01 Lutron PEQO EcoSystem 0.1% (up to 2000lm)<br>L1 Lutron LDE1 EcoSystem (up to 4000lm)<br>RA <sup>5</sup> Integral Interact Pro RF sensor (enables wireless connected lighting)<br>D DALI 0.1% (up to 6000lm)<br>SOL EldoLED Solo 0-10V 0.1% (up to 6000lm)<br>DMX Digital Multiplexing with RDM 0.1% (up to 6000lm) | --- None<br>D20 Dim to Off<br><br>LIN Linear<br><br>--- None<br>LIN Linear<br><br>--- None<br>LIN Linear<br>SQR Square | U 120/277V<br>3 347V<br><br>U 120/277V<br><br>U 120/277V<br><br>U 120/277V | BAC <sup>3</sup> Meets the requisites of the Buy American Act of 1933 (BAA) |

#### Trim

Example: ASDT6SONMCDP

| Family                        | Size     | Aperture | Style  | Beam                         | Finish  | Flange   | Options   |
|-------------------------------|----------|----------|--------|------------------------------|---|--|---|
| <b>ASDT</b>                   | <b>6</b> | <b>S</b> |        |                              |   |  |   |
| ASDT Specialty downlight trim | 6 6"     | S Square | O Open | NM Narrow & Medium<br>W Wide | CL Specular clear<br>CC Comfort clear<br>CD Comfort clear diffuse<br>WH Matte White | WH Matte White<br>P Polished<br>WH Matte White | BAC <sup>3</sup> Meets the requisites of the Buy American Act of 1933 (BAA) |

#### Accessories (Not currently BAA-compliant) learn more on page 3

|                  |  |
|------------------|--|
| <b>SBA</b>       | Interact Ready System Bridge Accessory (refer to Philips System Bridge Accessory spec sheet for options and details)   |
| <b>CAEM6</b>     | Field-installable Bodine BSL6 6W battery pack with self-test/self-diagnostic (for new construction frames, 120-277V, test switch is not wet location listed) |
| <b>T347-75VA</b> | 347:120V step-down transformer for non-IC (N) frame only (see page 2 for details)  |
| <b>CAEM6TSCP</b> | Must be ordered with EM6 frame for remote test switch (see page 2 for details)   |

#### Footnotes

- Emergency (EM6) frame is compatible with reflector mounted test switch when trim is ordered with IEM6 option code (not compatible with 347V or Power over Ethernet configurations). For remote mount switch, order standard trim and CAEM6TSCP mounting plate accessory.
- Chicago Plenum frame is available for Buy American Compliant (BAC).
- Failure to properly select the "BAC" suffix could result in you receiving product that is not BAA compliant product with no recourse for an RMA or refund. This BAC designation hereunder does not address (i) the applicability of, or availability of a waiver under, the Trade Agreements Act, or (ii) the "Buy America" domestic content requirements imposed on states, localities, and other non-federal entities as a condition of receiving funds administered by the Department of Transportation or other federal agencies.
- Dim-to-warm (D2W) available only with Z10 dimming. Narrow (N) and medium (M) beams only.
- Linear driver profile (see page 8).

# ASD6 Square Sealed Downlight

## Order Logic: Tunable White

### Frame

Example: ASDF6SEM6

| Family                         | Size       | Shape    | Voltage / Options   |
|--------------------------------|------------|----------|---|
| <b>ASDF</b>                    | <b>6</b>   | <b>S</b> |   |
| ASDF Specialty downlight frame | 6 6 inches | S Square | LC <sup>1</sup> Chicago Plenum<br>BAC <sup>4</sup> Meets the requirements of the Buy American Act of 1933 (BAA) |

### Engine

Example: ASDE6O2096TRAU

| Family                          | Size       | Lumens  | CRI/CCT  | Beam                 | Dimming  | Options   | Voltage  | Options   |
|---------------------------------|------------|---|--|----------------------|--|---|--|---|
| <b>ASDE</b>                     | <b>6O</b>  |   |  |                      |  |   |  |   |
| ASDE Specialty downlight engine | 6O 6" open | 10 1000lm<br>15 1500lm<br>20 2000lm<br>25 2500lm<br>30 3000lm | 96T 90 CRI Tunable White<br>9D2W 90 CRI Dim to Warm<br>9BIO 90 CRI BioUp | N Narrow<br>M Medium | Z10 <sup>4</sup> 0-10V 1% (up to 2500lm)<br>LTW Lutron Lutron T-series<br>RA <sup>5</sup> Integral Interact Pro RF sensor (enables wireless connected lighting)<br>D DALI 0.1%<br>DMX Digital Multiplexing with RDM 0.1% | -- None<br>LIN Linear<br>LIN Linear<br>LIN Linear<br>SQR Square | U 120/277V<br>347 347V<br>U 120/277V<br>U 120/277V<br>U 120/277V | BAC <sup>3</sup> Meets the requisites of the Buy American Act of 1933 (BAA) |

### Trim

Example: ASDT6SONMCDP

| Family                        | Size       | Aperture | Style  | Bottom Lens                  | Beam     | Finish  | Flange   | Options   |
|-------------------------------|------------|----------|--------|------------------------------|----------|---|--|---|
| <b>ASDT</b>                   | <b>6</b>   | <b>S</b> |        |                              | <b>-</b> |   |  |   |
| ASDT Specialty downlight trim | 6 6 inches | S Square | O Open | NM Narrow & Medium<br>W Wide | -        | CL Specular clear<br>CC Comfort clear<br>CD Comfort clear diffuse<br>WH Matte White | WH Matte White<br>P Polished<br>WH Matte White | BAC <sup>3</sup> Meets the requisites of the Buy American Act of 1933 (BAA) |

### Accessories (Not currently BAA-compliant) learn more on page 3

|                  |  |
|------------------|--|
| <b>SBA</b>       | Interact Ready System Bridge Accessory (refer to Philips System Bridge Accessory spec sheet for options and details)   |
| <b>CAEM6</b>     | Field-installable Bodine BSL6 6W battery pack with self-test/self-diagnostic (for new construction frames, 120-277V, test switch is not wet location listed) |
| <b>T347-75VA</b> | 347:120V step-down transformer for non-IC (N) frame only (see page 2 for details)  |
| <b>CAEM6TSCP</b> | Must be ordered with EM6 frame for remote test switch (see page 2 for details)   |

### Footnotes

- Emergency (EM6) frame is compatible with reflector mounted test switch when trim is ordered with IEM6 option code (not compatible with 347V or Power over Ethernet configurations). For remote mount switch, order standard trim and CAEM6TSCP mounting plate accessory.
- Chicago Plenum frame is available for Buy American Compliant (BAC).
- Failure to properly select the "BAC" suffix could result in you receiving product that is not BAA compliant product with no recourse for an RMA or refund. This BAC designation hereunder does not address (i) the applicability of, or availability of a waiver under, the Trade Agreements Act, or (ii) the "Buy America" domestic content requisites imposed on states, localities, and other non-federal entities as a condition of receiving funds administered by the Department of Transportation or other federal agencies.
- Dim-to-warm (D2W) available only with Z10 dimming. Narrow (N) and medium (M) beams only.
- Linear driver profile (see page 8).

# ASD6 Square Sealed Downlight

## Frame-in-kits

### New Construction:

Galvanized stamped steel for dry or plaster ceilings. Preinstalled telescoping mounting bars from 13" to 24". For 4' distances, use 1/2" EMT, 1-1/2" x 1/2" U or C channel. Installation requires access to the top side of the luminaire - consult installation instructions for details.

Max ceiling thickness is 2.75" (70 mm)

### Patented install Mounting frame:

- Pre-installed mounting bars for fast and tool-less installs into T-grid & hat channel ceilings.
- Close-cut aperture design eliminates possibility of gap between ceiling opening and reflector flange.
- Separate wiring compartment for wiring frame to building allows inspection prior to light engine install.
- Simple plug-and-play connection between frame and light engine from below ceiling.

## Emergency

Bodine BSL6 6W battery pack with self-test/diagnostic functionality. Factory or field mounted to frame.

- For remote ceiling mounted test switch, order standard trim (ex: C6RDLC). Optional accessory ceiling mounting plate available (CAEM6TSCP) for remote mounted test switch.

## Dimming

All configurations are FCC Class A unless otherwise specified.

- Advance 0-10V 1% (Z10), logarithmic curve is standard. Specify D20 for factory-set dim-to-off function, consult factory for linear dimming curve.
- EldoLED SOLDrive (SOL) 0-10v 0.1%
- Lutron LDE1 (L01) EcoSystem 1%
- DALI (D) - DT6 DALI 0.1%
- DMX (DMX) - Digital Multiplexing with RDM 0.1%

### Dimming Options

The following are factory-set options for the SOL, D, DMX, and RA driver options (ex. DMXLIN):

- SOL/D/DMX: Logarithmic (-) standard
- RA/SOL/D/DMX: Linear (LIN)
- SOL/DMX: Square (SQR)
- Dim to Warm (D2W): option changes CCT from 3000-1800K gradually as it dims. Use with Z10 dimming only. Fixture-to-fixture consistency of ≤3SDCM at 2700K & 3000K, and ≤5SDCM at 1800K.

## Optical systems

### Comfort throughout the space:

True 50° physical cutoff and 45° reflected cutoff.

### Quality of light:

2 SDCM ensures color consistency from fixture to fixture and over the luminaire's long lifetime.

### MesoOptics PET optical diffusion film:

Provides a smooth beam shape and mitigates color over angle with optimized luminaire efficiency.

\* Quality of light section would be different for the tunable white option

## Light Engine

Quick connect power pack allow for easy installation and replacement from below ceiling with no need for additional wiring. This allows for:

- Frame and ceiling installation to be performed while still finalizing details such as lumen packages, CCT and control type.
- Easy replacement of electronics at end of life with minimal wasted material and labor required.
- Ease and upgradability of technology.
- 347V light engines are Z10 dimming only and include dedicated 347V driver. For 347V non-Z10 dimming, order T347-75VA field-installed step-down transformer accessory.

## Options and Accessories

**SBA:** Interact Ready System Bridge Accessory. Requires IRT9015 IR remote and Interact Pro App for commissioning.

**CAEM6:** Field install EM6 kit with Bodine BSL6 6W battery pack with self-test/self-diagnostic, mounts to new construction frames. Includes remote ceiling plate for test switch.

**CAEM6TSCP:** Ceiling cover plate for remote mounted EM6 test switch. 1/2" (25mm) hole, 4 3/8" (109mm) x 2 3/4" (69mm) rectangular. Includes two mounting screws.

**T347-75VA:** Field installable 347:120V 75VA step-down transformer, attaches to knock out on frame junction box, for use with non-IC (N) or remodel (R) frames.

## Labels and Listings

Wet location, NSF, ISO5, IP65, IK07, RoHS

## Warranty



5 year limited warranty  
Visit [Signify.com/warranties](https://www.signify.com/warranties) for more information on Signify's standard 5-year limited warranty on complete luminaire systems.

# ASD6 Square Sealed Downlight



## AccuRender Technology (CRI 90+)

The right light brings colors to life. Our new AccuRender technology helps ensure colors are rendered more accurately and consistently, while doing so as efficiently as CRI 80 products.



**Standard CRI 80**  
Good color rendering and high efficacy



**Standard CRI 90**  
Better color rendering and low efficacy



**AccuRender**  
Best color rendering, color preference and high efficacy

### Enjoy design flexibility

Full range of products and options:

- Multiple color temperatures (CCTs) and lumen packages offered

### Promote savings

High efficacy, with no penalty:

- Energy efficacy compares well to conventional 80 CRI
- Up to 25% more energy savings vs competitor 90 CRI<sup>1</sup>

### Show your true colors

High color rendering:

- True to life colors that help energize your environment and render better flesh tones critical for healthcare hospitality and retail applications.
- $R_a$  up to 94 CRI    •  $R_r$  up to 92 TM-30
- $R_g$  up to 67 CRI    •  $R_{e,ht}$  up to 91 TM-30
- $G_a$  up to 99 CRI    •  $R_g$  up to 100 TM-30
- $C_g$  up to 94 CRI    •  $R_{cs,ht}$  up to -5% TM-30

### Achieve color balance

Best in class color consistency:

- Promote aesthetic harmony in your space with  $\leq 2$  SDCM

### Photometric - Downlights with CRI of 90+ & R9 of 50+

| Lumen Package | Beam       | Flux (lm) | Efficacy (lm/W) | Beam Angle | CBCP  | CRI | R9  | Photometry Report | IES TM-30-18 |       |             | UGR |
|---------------|------------|-----------|-----------------|------------|-------|-----|-----|-------------------|--------------|-------|-------------|-----|
|               |            |           |                 |            |       |     |     |                   | $R_r$        | $R_g$ | $R_{cs,ht}$ |     |
| 1000 lm       | Narrow (N) | 853       | 99              | 36         | 2510  | 90+ | 50+ | Calc              | 91           | 100   | -5%         | 0   |
|               | Medium (M) | 896       | 103             | 55         | 1183  | 90+ | 50+ | Calc              | 91           | 100   | -5%         | 0   |
|               | Wide (W)   | 710       | 81              | 72         | 641   | 90+ | 50+ | Calc              | 91           | 100   | -5%         | 0   |
| 1500 lm       | Narrow (N) | 1313      | 103             | 36         | 3863  | 90+ | 50+ | Calc              | 91           | 100   | -5%         | 1   |
|               | Medium (M) | 1355      | 104             | 55         | 1790  | 90+ | 50+ | Calc              | 91           | 100   | -5%         | 1   |
|               | Wide (W)   | 1070      | 82              | 72         | 965   | 90+ | 50+ | Calc              | 91           | 100   | -5%         | 0   |
| 2000 lm       | Narrow (N) | 1790      | 103             | 36         | 5265  | 90+ | 50+ | Calc              | 91           | 100   | -5%         | 2   |
|               | Medium (M) | 1834      | 103             | 55         | 2422  | 90+ | 50+ | Calc              | 91           | 100   | -5%         | 2   |
|               | Wide (W)   | 1444      | 81              | 72         | 1304  | 90+ | 50+ | Calc              | 91           | 100   | -5%         | 1   |
| 2500 lm       | Narrow (N) | 2166      | 101             | 36         | 6372  | 90+ | 50+ | STMR - 2975       | 91           | 100   | -5%         | 3   |
|               | Medium (M) | 2238      | 104             | 55         | 2954  | 90+ | 50+ | STMR - 2440       | 91           | 100   | -5%         | 3   |
|               | Wide (W)   | 1791      | 84              | 72         | 1616  | 90+ | 50+ | STMR - 2441       | 91           | 100   | -5%         | 2   |
| 3000 lm       | Narrow (N) | 2525      | 99              | 36         | 7428  | 90+ | 50+ | Calc              | 91           | 100   | -5%         | 3   |
|               | Medium (M) | 2703      | 102             | 55         | 3568  | 90+ | 50+ | Calc              | 91           | 100   | -5%         | 4   |
|               | Wide (W)   | 2134      | 81              | 72         | 1926  | 90+ | 50+ | Calc              | 91           | 100   | -5%         | 3   |
| 3500 lm       | Narrow (N) | 2875      | 101             | 36         | 8457  | 90+ | 50+ | Calc              | 91           | 100   | -5%         | 4   |
|               | Medium (M) | 3025      | 103             | 55         | 3993  | 90+ | 50+ | Calc              | 91           | 100   | -5%         | 4   |
|               | Wide (W)   | 2369      | 81              | 72         | 2138  | 90+ | 50+ | Calc              | 91           | 100   | -5%         | 3   |
| 4000 lm       | Narrow (N) | 3757      | 109             | 36         | 10270 | 90+ | 50+ | Calc              | 91           | 100   | -5%         | 4   |
|               | Medium (M) | 3713      | 103             | 55         | 4800  | 90+ | 50+ | Calc              | 91           | 100   | -5%         | 4   |
|               | Wide (W)   | 3490      | 96              | 72         | 4512  | 90+ | 50+ | Calc              | 91           | 100   | -5%         | 3   |
| 5000 lm       | Narrow (N) | 4541      | 103             | 36         | 12332 | 90+ | 50+ | Calc              | 91           | 100   | -5%         | 5   |
|               | Medium (M) | 4696      | 105             | 55         | 5306  | 90+ | 50+ | Calc              | 91           | 100   | -5%         | 5   |
|               | Wide (W)   | 4414      | 99              | 72         | 4988  | 90+ | 50+ | Calc              | 91           | 100   | -5%         | 4   |
| 6000 lm       | Narrow (N) | 4769      | 90              | 36         | 5529  | 90+ | 50+ | Calc              | 91           | 100   | -5%         | 6   |
|               | Medium (M) | 5395      | 99              | 55         | 6090  | 90+ | 50+ | Calc              | 91           | 100   | -5%         | 6   |
|               | Wide (W)   | 4239      | 78              | 72         | 5628  | 90+ | 50+ | Calc              | 91           | 100   | -5%         | 5   |

# ASD6 Square Sealed Downlight

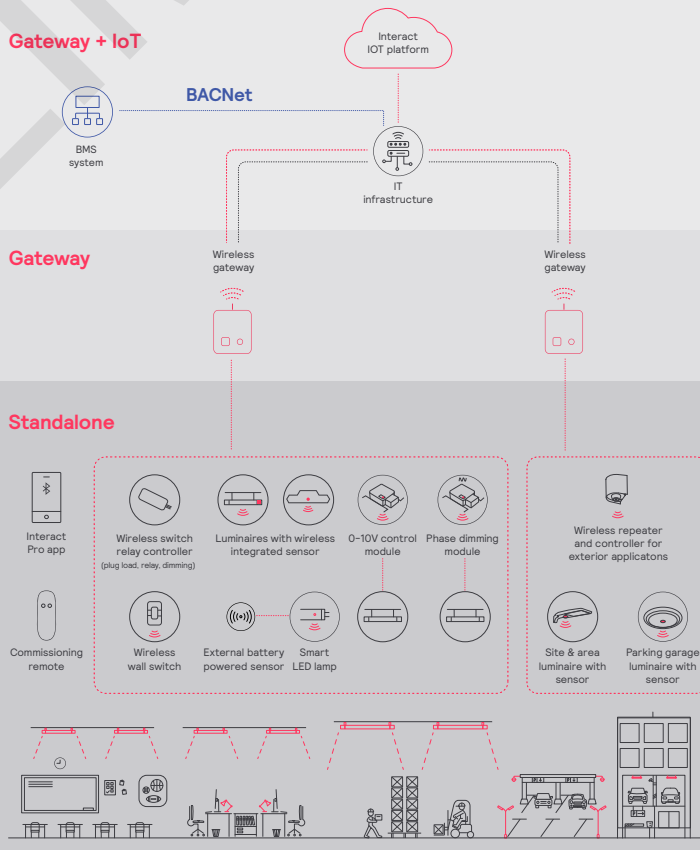
| The three tiers of Interact                                    |            |         |               |
|--|------------|---------|---------------|
|  | Standalone | Gateway | Gateway + IoT |
| Dimming, grouping, and zoning                                  | ✓          | ✓       | ✓             |
| Bluetooth and ZigBee enabled                                   | ✓          | ✓       | ✓             |
| Motion sensing and daylight harvesting                         | ✓          | ✓       | ✓             |
| Integration with 0-10V and phase dimming fixtures              | ✓          | ✓       | ✓             |
| Code compliance  | ✓          | ✓       | ✓             |
| Granular dimming and dwell time                                | ✓          | ✓       | ✓             |
| <b>New</b> Correlated color temperature (CCT) tuning by switch | ✓          | ✓       | ✓             |
| <b>New</b> Support for sensor-based Tunable White luminaires   | ✓          | ✓       | ✓             |
| Energy reporting and monitoring                                |            | ✓       | ✓             |
| Scheduling   |            | ✓       | ✓             |
| Demand response  |            | ✓       | ✓             |
| BMS integration (BACnet)                                       |            |         | ✓             |
| Floor plan visualization                                       |            |         | ✓             |
| IoT sensors for wellness                                       |            |         | ✓             |
| IoT Apps for productivity                                      |            |         | ✓             |

## Currently supported maximum system size

To be able to design the lighting system correctly for the customer, it is important to know the prime characteristics of the system, its possibilities and limitations.

| System level                                       |                     |
|--|---------------------|
| Total number of gateways                           | Unlimited           |
| Total number of devices                            | 200 per network     |
| • luminaires with integrated sensors               | 150                 |
| • smart TLEDs                                      | 150                 |
| Total number of ZGP devices (sensors and switches) | 50                  |
| • sensors  | 30                  |
| • switches   | 50                  |
| • zones and groups                                 | 64                  |
| Group level  |                     |
| Recommended number of lights                       | 40 (recommended 25) |
| Number of ZGP devices                              | 5                   |
| Number of scenes                                   | 16                  |

## Interact system architecture for office, education, healthcare, retail, industrial and parking applications



# ASD6 Square Sealed Downlight

## Wireless controls options

### Interact

- SWZCS is a connected sensor with integral occupancy and daylight sensing and supports wireless mesh connectivity.
- The sensor works in the standalone mode (similar to SpaceWise) when configured without a gateway or in a cloud connected mode if a compatible gateway is used.
- Interact includes an App, a portal and a broad portfolio of wireless luminaires, lamps and retrofit kits all working on the same system.
- Startup is implemented via Interact Pro App (Android or iPhone) & Bluetooth connectivity. The App provides flexibility to choose between a gateway or non gateway mode for setup.
- Setup with the gateway requires wired internet access to the gateway. It is possible to add a gateway at a later point.
- Prepare project configuration steps remotely and use IRT9015 remote on-site to identify and group devices together.

#### Compatible with:

- SWS200 & UID8465 wireless scene switch
- Battery powered IP42 presence sensor OCC sensor IA CM WH 10/1
- Battery powered IP42 presence & daylight sensor OCC-DL sensor IA CM IP42 WH
- LCN3110: battery powered IP65 presence sensor, OCC sensor IA CM IP65W
- LCN3120: battery powered IP65 presence & daylight sensor, OCC-DL sensor IA CM IP65 WH
- For more information on Interact visit: [interact-lighting.com/interactproscalablesystem](http://interact-lighting.com/interactproscalablesystem)

### Radio only sensor (RA or RADIO)

- Integral RA or RADIO only sensor simply enables wireless mesh connectivity to the luminaire without any occupancy or daylight sensing.
- Ideal for applications where sensing functionality is managed by other Interact devices and the luminaire only needs to have wireless connectivity.
- Interact includes an App, a portal and a broad portfolio of wireless luminaires, lamps and retrofit kits all working on the same system.
- Startup is implemented via Interact Pro App (Android or iPhone) & Bluetooth connectivity. The App provides flexibility to choose between a gateway or non-gateway mode for setup.
- Setup with the gateway requires wired internet access to the gateway. It is possible to add a gateway at a later point.
- Prepare project configuration steps remotely, identify and group devices together onsite.
- Compatible with SWS200 and UID8465 wireless scene switch, wireless Occ sensor (OCC SENSOR IA CM IP42 WH 10/1) and wireless Day/Occ sensor (OCC MULTI SENSOR IA CM WH 10/1).
- For more information on Interact visit: [interact-lighting.com/interactproscalablesystem](http://interact-lighting.com/interactproscalablesystem)

### Sensor bundle (IAOSB or SB)

- A wireless IoT connected lighting solution for large enterprises that span across multiple floors, buildings and require multiple gateways.
- View all your projects under one dashboard and easily compare insights from multiple projects in one view.
- Compatible with SWS200 wireless scene switch, wireless Occ sensor (OCC SENSOR IA CM IP42 WH 10/1) and wireless Day/Occ sensor (OCC MULTI SENSOR IA CM WH 10/1) and wireless Occupancy or Daylight & Occupancy sensors available. Use Interact software and insights to increase building efficiency, achieve building wide integration and optimize space through occupancy analytics.
- IAOSB or SB option in addition to occupancy and daylights sensing supports advanced IoT capabilities, such as people estimation analysis, desk level temperature & humidity sensing, noise classification, and BLE beacon.
- Requires compatible Gateway and internet connectivity for commissioning.
- For more information, visit: [interact-lighting.com/interactproscalablesystem](http://interact-lighting.com/interactproscalablesystem)

### Emergency Options (ER100)

- **Power Sensing** (factory default) – Recommended UL924 option requires unswitched power sense line, absence of voltage on the normal circuit triggers luminaire to 100% output.
- **Power Interruption Detection** (field option) – Detects AC power interruption >30ms triggers 90 minute emergency mode with luminaire at 100% output.

## Interact supported sensor option codes across Genlyte product lines

|   | Evokit | Day-Brite | Ledalite | Lightolier               |
|---|--------|-----------|----------|--------------------------|
| ZigBee + Bluetooth + Sensing                      | SWZCS  | SWZCS     | CS       | SBA accessory (external) |
| ZigBee + Bluetooth                                | RADIO  | RADIO     | RA       | RA                       |
| ZigBee + Bluetooth + Sensing + Environmental data | IAOSB  | IAOSB     | SB       | SB                       |
| ZigBee + Highbay + Sensing                        | -      | SWZCSH    | -        | -                        |

# ASD6 Square Sealed Downlight

## Finishes



**Specular clear (CL):** Most specular and most efficient finish, delivers maximum photometric performance but can produce a mirror image effect of the interior space.



**Comfort clear (CC):** Semi-specular finish that softens the light at the source of the reflector and creates a subtle, even luminance from the reflector cone.



**Comfort clear diffuse (CD):** Slightly diffuse clear finish, that eliminates iridescence and reduces the mirror image effect inherent with specular finishes.

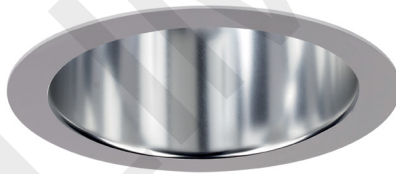


**Matte White (WH):** Brightest illuminated aperture and provides the smoothest transition to most ceilings when off (matte white finish is only available with a matte white flange).

## Flanges



**Matte White (WH):** Brightest illuminated aperture and provides the smoothest transition to most ceilings when off (matte white finish is only available with a matte white flange).

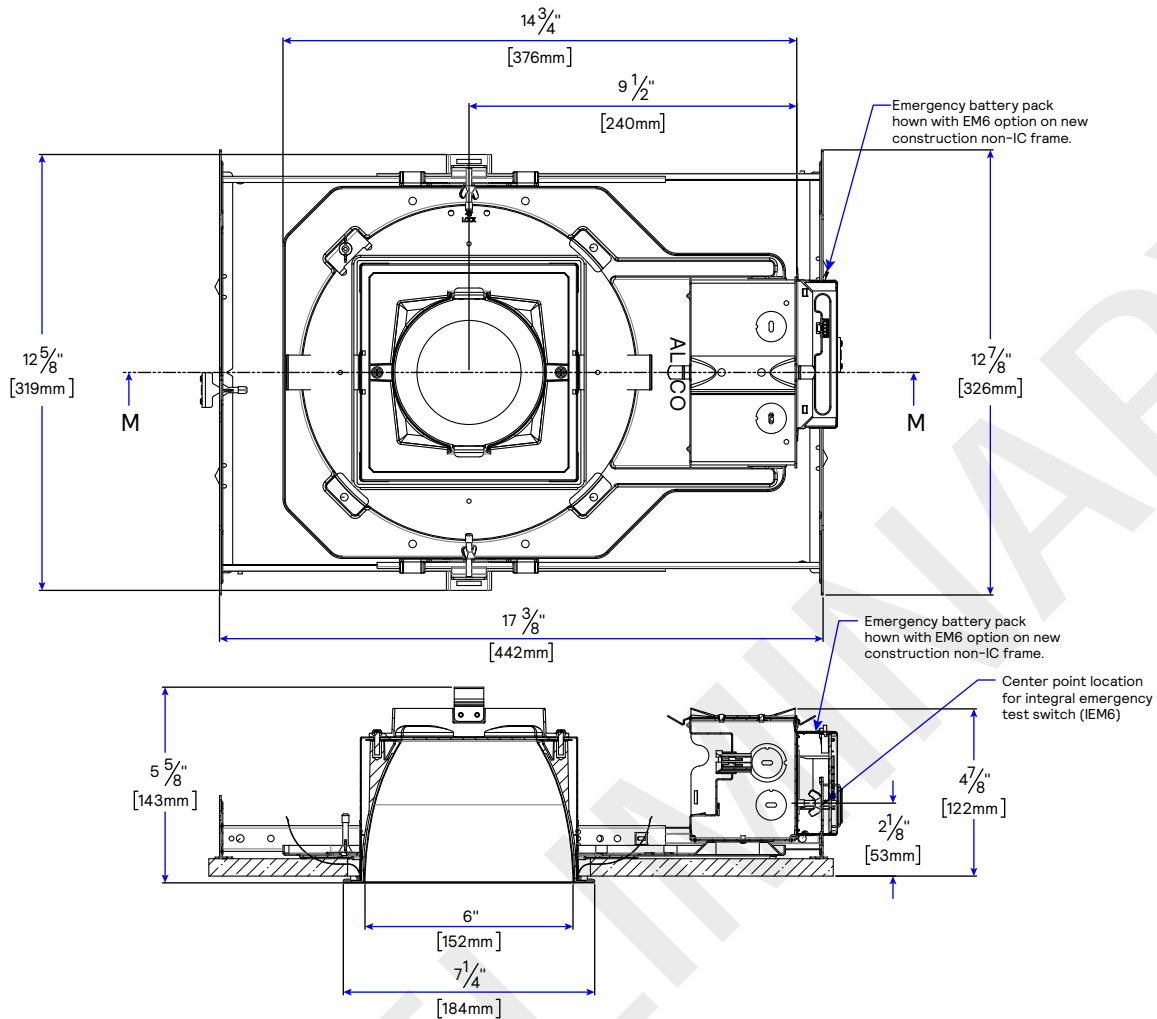


**Polished (P):** Produces a continuous look throughout the reflector.



# ASD6 Square Sealed Downlight

## New Construction (N)

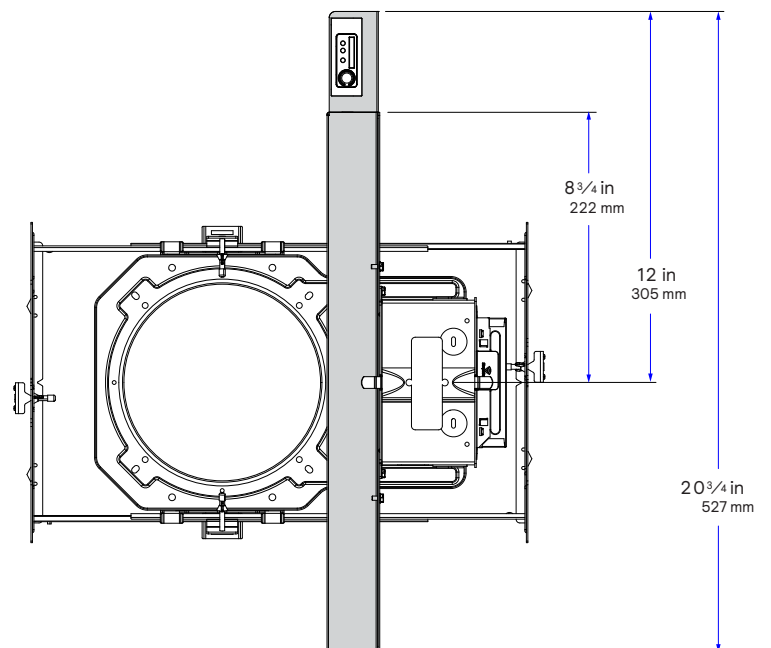
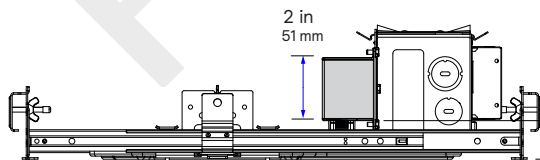


## Linear driver (RA)

**Surface/Pendant Remote Driver**  
(driver assembly recessed into ceiling) for all configurations.

Requires 19" plenum space.

Sensor shown for RA light engine only.





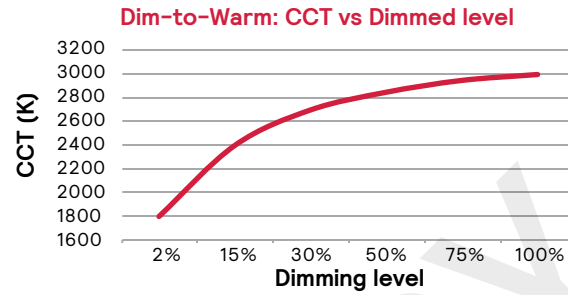
# ASD6 Square Sealed Downlight

## Static White

### Lifetime (TM-21) data

| Lumens  | Narrow beam      | Medium/Wide beam |
|---------|------------------|------------------|
| 1000lm  | L90 @ 60,000hrs. | L90 @ 60,000hrs. |
| 1500lm  |                  |                  |
| 2000lm  |                  |                  |
| 2500lm  |                  |                  |
| 3500lm* |                  |                  |

\* Lutron 3500lm with Medium/Wide beam is L85 @ 60,000hrs.

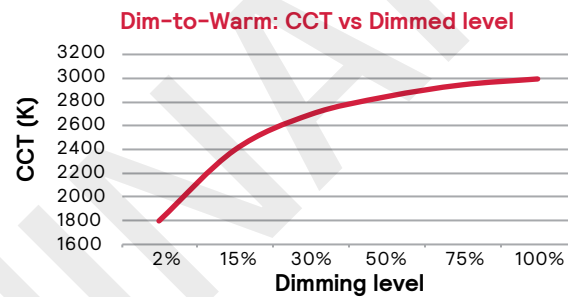


## Tunable White

### Lifetime (TM-21) data

| Lumens  | Narrow beam      | Medium/Wide beam |
|---------|------------------|------------------|
| 1000lm  | L90 @ 60,000hrs. | L90 @ 60,000hrs. |
| 1500lm  |                  |                  |
| 2000lm  |                  |                  |
| 2500lm  |                  |                  |
| 3500lm* |                  |                  |

\* Lutron 3500lm with Medium/Wide beam is L85 @ 60,000hrs.



PRELIMINARY

# ASD6 Square Sealed Downlight

## Static White: Electrical - Narrow

| Frame-in Kit     | Input Volts | Input Freq. | Input Current | LED Drive Current | Input Power | LED Power | THD Factor | Power Factor |
|------------------|-------------|-------------|---------------|-------------------|-------------|-----------|------------|--------------|
|                  |             |             |               |                   |             |           | @ Max Load |              |
| ASDE6_10_NZ10U/3 | 120V        | 50/60Hz     | 0.084A        | 0.22A             | 10.1W       | 8.2W      | <10%       | >0.9         |
|                  | 277V        | 50/60Hz     | 0.037A        | 0.22A             | 10.3W       | 8.2W      | <20%       | >0.9         |
|                  | 347V        | 50/60Hz     | 0.034A        | 0.22A             | 11.7W       | 8.2W      | <30%       | >0.9         |
| ASDE6_15_NZ10U/3 | 120V        | 50/60Hz     | 0.123A        | 0.33A             | 14.7W       | 12.3W     | <10%       | >0.9         |
|                  | 277V        | 50/60Hz     | 0.054A        | 0.33A             | 14.8W       | 12.3W     | <10%       | >0.9         |
|                  | 347V        | 50/60Hz     | 0.049A        | 0.33A             | 16.9W       | 12.3W     | <25%       | >0.9         |
| ASDE6_20_NZ10U/3 | 120V        | 50/60Hz     | 0.166A        | 0.45A             | 19.9W       | 16.8W     | <10%       | >0.9         |
|                  | 277V        | 50/60Hz     | 0.072A        | 0.45A             | 20.0W       | 16.8W     | <10%       | >0.9         |
|                  | 347V        | 50/60Hz     | 0.064A        | 0.45A             | 22.1W       | 16.8W     | <20%       | >0.9         |
| ASDE6_25_NZ10U/3 | 120V        | 50/60Hz     | 0.201A        | 0.55A             | 24.1W       | 20.5W     | <10%       | >0.9         |
|                  | 277V        | 50/60Hz     | 0.088A        | 0.55A             | 24.3W       | 20.5W     | <10%       | >0.9         |
|                  | 347V        | 50/60Hz     | 0.074A        | 0.55A             | 25.6W       | 20.5W     | <20%       | >0.9         |
| ASDE6_30_NZ10U/3 | 120V        | 50/60Hz     | 0.238A        | 0.65A             | 28.5W       | 24.2W     | <10%       | >0.9         |
|                  | 277V        | 50/60Hz     | 0.102A        | 0.65A             | 28.4W       | 24.2W     | <10%       | >0.9         |
|                  | 347V        | 50/60Hz     | 0.086A        | 0.65A             | 29.9W       | 24.2W     | <15%       | >0.9         |
| ASDE6_35_NZ10U/3 | 120V        | 50/60Hz     | 0.271A        | 0.75A             | 32.5W       | 28.0W     | <10%       | >0.9         |
|                  | 277V        | 50/60Hz     | 0.117A        | 0.75A             | 32.5W       | 28.0W     | <10%       | >0.9         |
|                  | 347V        | 50/60Hz     | 0.096A        | 0.75A             | 33.3W       | 28.0W     | <15%       | >0.9         |
| ASDE6_40_NZ10U/3 | 120V        | 50/60Hz     | 0.333A        | 0.92A             | 39.9W       | 34.3W     | <10%       | >0.9         |
|                  | 277V        | 50/60Hz     | 0.144A        | 0.92A             | 39.9W       | 34.3W     | <10%       | >0.9         |
|                  | 347V        | 50/60Hz     | 0.115A        | 0.92A             | 39.9W       | 34.3W     | <10%       | >0.9         |
| ASDE6_50_NZ10U/3 | 120V        | 50/60Hz     | 0.405A        | 1.12A             | 48.6W       | 41.8W     | <10%       | >0.9         |
|                  | 277V        | 50/60Hz     | 0.174A        | 1.12A             | 48.3W       | 41.8W     | <10%       | >0.9         |
|                  | 347V        | 50/60Hz     | 0.142A        | 1.12A             | 49.1W       | 41.8W     | <10%       | >0.9         |
| ASDE6_60_NZ10U/3 | 120V        | 50/60Hz     | 0.488A        | 1.35A             | 58.6W       | 50.4W     | <10%       | >0.9         |
|                  | 277V        | 50/60Hz     | 0.208A        | 1.35A             | 57.5W       | 50.4W     | <10%       | >0.9         |
|                  | 347V        | 50/60Hz     | 0.169A        | 1.35A             | 58.6W       | 50.4W     | <10%       | >0.9         |

## Static White: Electrical - Medium & Wide

| Frame-in Kit         | Input Volts | Input Freq. | Input Current | LED Drive Current | Input Power | LED Power | THD Factor | Power Factor |
|----------------------|-------------|-------------|---------------|-------------------|-------------|-----------|------------|--------------|
|                      |             |             |               |                   |             |           | @ Max Load |              |
| ASDE6_10_[MIW]Z10U/3 | 120V        | 50/60Hz     | 0.075A        | 0.22A             | 9.0W        | 7.3W      | <10%       | >0.9         |
|                      | 277V        | 50/60Hz     | 0.033A        | 0.22A             | 9.2W        | 7.3W      | <20%       | >0.9         |
|                      | 347V        | 50/60Hz     | 0.030A        | 0.22A             | 10.4W       | 7.3W      | <30%       | >0.9         |
| ASDE6_15_[MIW]Z10U/3 | 120V        | 50/60Hz     | 0.109A        | 0.33A             | 13.1W       | 11.0W     | <10%       | >0.9         |
|                      | 277V        | 50/60Hz     | 0.048A        | 0.33A             | 13.2W       | 11.0W     | <10%       | >0.9         |
|                      | 347V        | 50/60Hz     | 0.043A        | 0.33A             | 15.0W       | 11.0W     | <25%       | >0.9         |
| ASDE6_20_[MIW]Z10U/3 | 120V        | 50/60Hz     | 0.147A        | 0.45A             | 17.7W       | 14.9W     | <10%       | >0.9         |
|                      | 277V        | 50/60Hz     | 0.064A        | 0.45A             | 17.8W       | 14.9W     | <10%       | >0.9         |
|                      | 347V        | 50/60Hz     | 0.057A        | 0.45A             | 19.7W       | 14.9W     | <20%       | >0.9         |
| ASDE6_25_[MIW]Z10U/3 | 120V        | 50/60Hz     | 0.180A        | 0.55A             | 21.6W       | 18.4W     | <10%       | >0.9         |
|                      | 277V        | 50/60Hz     | 0.078A        | 0.55A             | 21.7W       | 18.4W     | <10%       | >0.9         |
|                      | 347V        | 50/60Hz     | 0.066A        | 0.55A             | 23.0W       | 18.4W     | <20%       | >0.9         |
| ASDE6_30_[MIW]Z10U/3 | 120V        | 50/60Hz     | 0.219A        | 0.67A             | 26.3W       | 22.4W     | <10%       | >0.9         |
|                      | 277V        | 50/60Hz     | 0.094A        | 0.67A             | 26.2W       | 22.4W     | <10%       | >0.9         |
|                      | 347V        | 50/60Hz     | 0.079A        | 0.67A             | 27.5W       | 22.4W     | <15%       | >0.9         |
| ASDE6_35_[MIW]Z10U/3 | 120V        | 50/60Hz     | 0.243A        | 0.75A             | 29.1W       | 25.1W     | <10%       | >0.9         |
|                      | 277V        | 50/60Hz     | 0.105A        | 0.75A             | 29.1W       | 25.1W     | <10%       | >0.9         |
|                      | 347V        | 50/60Hz     | 0.086A        | 0.75A             | 29.8W       | 25.1W     | <15%       | >0.9         |
| ASDE6_40_[MIW]Z10U/3 | 120V        | 50/60Hz     | 0.298A        | 0.92A             | 35.7W       | 30.7W     | <10%       | >0.9         |
|                      | 277V        | 50/60Hz     | 0.129A        | 0.92A             | 35.7W       | 30.7W     | <10%       | >0.9         |
|                      | 347V        | 50/60Hz     | 0.105A        | 0.92A             | 36.6W       | 30.7W     | <10%       | >0.9         |
| ASDE6_50_[MIW]Z10U/3 | 120V        | 50/60Hz     | 0.376A        | 1.15A             | 45.1W       | 38.8W     | <10%       | >0.9         |
|                      | 277V        | 50/60Hz     | 0.161A        | 1.15A             | 44.5W       | 38.8W     | <10%       | >0.9         |
|                      | 347V        | 50/60Hz     | 0.131A        | 1.15A             | 45.6W       | 38.8W     | <10%       | >0.9         |
| ASDE6_60_[MIW]Z10U/3 | 120V        | 50/60Hz     | 0.451A        | 1.38A             | 54.1W       | 46.5W     | <10%       | >0.9         |
|                      | 277V        | 50/60Hz     | 0.192A        | 1.38A             | 53.1W       | 46.5W     | <10%       | >0.9         |
|                      | 347V        | 50/60Hz     | 0.156A        | 1.38A             | 54.1W       | 46.5W     | <10%       | >0.9         |

# ASD6 Square Sealed Downlight

## Tunable White: Electrical - Narrow

| Frame-in Kit        | Input Volts | Input Freq. | Input Current | LED Drive Current | Input Power | LED Power | THD Factor | Power Factor |
|---------------------|-------------|-------------|---------------|-------------------|-------------|-----------|------------|--------------|
|                     |             |             |               |                   |             |           | @ Max Load |              |
| ASDE6_10D2WNZ10U/3  | 120V        | 50/60Hz     | 0.087A        | 0.22A             | 10.4W       | 8.2W      | <15%       | >0.9         |
|                     | 277V        | 50/60Hz     | 0.041A        | 0.22A             | 11.2W       | 8.2W      | <25%       | >0.8         |
| ASDE6_15D2WNZ10U/3  | 120V        | 50/60Hz     | 0.124A        | 0.33A             | 14.8W       | 12.3W     | <10%       | >0.9         |
|                     | 277V        | 50/60Hz     | 0.057A        | 0.33A             | 15.8W       | 12.3W     | <25%       | >0.85        |
| ASDE6_20D2WNZ10U/3  | 120V        | 50/60Hz     | 0.165A        | 0.45A             | 19.7W       | 16.8W     | <10%       | >0.9         |
|                     | 277V        | 50/60Hz     | 0.076A        | 0.45A             | 21.0W       | 16.8W     | <20%       | >0.9         |
| ASDE6_25D2WNZ10U/3  | 120V        | 50/60Hz     | 0.201A        | 0.55A             | 24.1W       | 20.5W     | <10%       | >0.9         |
|                     | 277V        | 50/60Hz     | 0.089A        | 0.55A             | 24.7W       | 20.5W     | <15%       | >0.9         |
| ASDE6_1096TeZ10U/3  | 120V        | 50/60Hz     | 0.111A        | 0.31A             | 13.4W       | 11.1W     | <20%       | >0.9         |
|                     | 277V        | 50/60Hz     | 0.050A        | 0.31A             | 13.9W       | 11.1W     | <20%       | >0.8         |
| ASDE6_1596TeZ10U/3  | 120V        | 50/60Hz     | 0.165A        | 0.47A             | 19.8W       | 16.8W     | <15%       | >0.9         |
|                     | 277V        | 50/60Hz     | 0.075A        | 0.47A             | 20.8W       | 16.8W     | <20%       | >0.85        |
| ASDE6_2096TeZ10U/3  | 120V        | 50/60Hz     | 0.222A        | 0.64A             | 26.6W       | 22.9W     | <15%       | >0.9         |
|                     | 277V        | 50/60Hz     | 0.101A        | 0.64A             | 27.9W       | 22.9W     | <25%       | >0.85        |
| ASDE6_2596TeZ10U/3  | 120V        | 50/60Hz     | 0.285A        | 0.83A             | 34.2W       | 29.7W     | <15%       | >0.9         |
|                     | 277V        | 50/60Hz     | 0.126A        | 0.83A             | 35.0W       | 29.7W     | <15%       | >0.9         |
| ASDE6_3096TeZ10U/3  | 120V        | 50/60Hz     | 0.379A        | 1.08A             | 45.5W       | 38.7W     | <10%       | >0.9         |
|                     | 277V        | 50/60Hz     | 0.163A        | 1.08A             | 45.2W       | 38.7W     | <10%       | >0.9         |
| ASDE6_109BIONZ10U/3 | 120V        | 50/60Hz     | 0.099A        | 0.30A             | 11.9W       | 9.9W      | <20%       | >0.9         |
|                     | 277V        | 50/60Hz     | 0.045A        | 0.30A             | 12.4W       | 9.9W      | <20%       | >0.8         |
| ASDE6_159BIONZ10U/3 | 120V        | 50/60Hz     | 0.141A        | 0.44A             | 16.9W       | 14.4W     | <15%       | >0.9         |
|                     | 277V        | 50/60Hz     | 0.064A        | 0.44A             | 17.7W       | 14.4W     | <20%       | >0.85        |
| ASDE6_209BIONZ10U/3 | 120V        | 50/60Hz     | 0.214A        | 0.65A             | 25.7W       | 22.1W     | <15%       | >0.9         |
|                     | 277V        | 50/60Hz     | 0.097A        | 0.65A             | 27.0W       | 22.1W     | <25%       | >0.85        |
| ASDE6_259BIONZ10U/3 | 120V        | 50/60Hz     | 0.268A        | 0.80A             | 32.2W       | 28.0W     | <15%       | >0.9         |
|                     | 277V        | 50/60Hz     | 0.119A        | 0.80A             | 32.9W       | 28.0W     | <15%       | >0.9         |

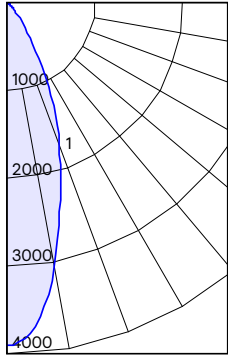
## Tunable White: Electrical - Wide & Medium

| Frame-in Kit            | Input Volts | Input Freq. | Input Current | LED Drive Current | Input Power | LED Power | THD Factor | Power Factor |
|-------------------------|-------------|-------------|---------------|-------------------|-------------|-----------|------------|--------------|
|                         |             |             |               |                   |             |           | @ Max Load |              |
| ASDE6_10D2W[MJW]Z10U/3  | 120V        | 50/60Hz     | 0.077A        | 0.22A             | 9.2W        | 7.3W      | <15%       | >0.9         |
|                         | 277V        | 50/60Hz     | 0.036A        | 0.22A             | 10.0W       | 7.3W      | <25%       | >0.8         |
| ASDE6_15D2W[MJW]Z10U/3  | 120V        | 50/60Hz     | 0.110A        | 0.33A             | 13.2W       | 11.0W     | <10%       | >0.9         |
|                         | 277V        | 50/60Hz     | 0.051A        | 0.33A             | 14.0W       | 11.0W     | <25%       | >0.85        |
| ASDE6_20D2W[MJW]Z10U/3  | 120V        | 50/60Hz     | 0.146A        | 0.45A             | 17.6W       | 14.9W     | <10%       | >0.9         |
|                         | 277V        | 50/60Hz     | 0.067A        | 0.45A             | 18.7W       | 14.9W     | <20%       | >0.9         |
| ASDE6_25D2W[MJW]Z10U/3  | 120V        | 50/60Hz     | 0.180A        | 0.55A             | 21.6W       | 18.4W     | <10%       | >0.9         |
|                         | 277V        | 50/60Hz     | 0.080A        | 0.55A             | 22.1W       | 18.4W     | <15%       | >0.9         |
| ASDE6_1095TeZ10U/3      | 120V        | 50/60Hz     | 0.111A        | 0.31A             | 13.4W       | 11.1W     | <20%       | >0.9         |
|                         | 277V        | 50/60Hz     | 0.050A        | 0.31A             | 13.9W       | 11.1W     | <20%       | >0.8         |
| ASDE6_1595TeZ10U/3      | 120V        | 50/60Hz     | 0.165A        | 0.47A             | 19.8W       | 16.8W     | <15%       | >0.9         |
|                         | 277V        | 50/60Hz     | 0.075A        | 0.47A             | 20.8W       | 16.8W     | <20%       | >0.85        |
| ASDE6_2095TeZ10U/3      | 120V        | 50/60Hz     | 0.222A        | 0.64A             | 26.6W       | 22.9W     | <15%       | >0.9         |
|                         | 277V        | 50/60Hz     | 0.101A        | 0.64A             | 27.9W       | 22.9W     | <25%       | >0.85        |
| ASDE6_2595TeZ10U/3      | 120V        | 50/60Hz     | 0.285A        | 0.83A             | 34.2W       | 29.7W     | <15%       | >0.9         |
|                         | 277V        | 50/60Hz     | 0.126A        | 0.83A             | 35.0W       | 29.7W     | <15%       | >0.9         |
| ASDE6_3095TeZ10U/3      | 120V        | 50/60Hz     | 0.379A        | 1.08A             | 45.5W       | 38.7W     | <10%       | >0.9         |
|                         | 277V        | 50/60Hz     | 0.163A        | 1.08A             | 45.2W       | 38.7W     | <10%       | >0.9         |
| ASDE6_109BIO[MJW]Z10U/3 | 120V        | 50/60Hz     | 0.099A        | 0.30A             | 11.9W       | 9.9W      | <20%       | >0.9         |
|                         | 277V        | 50/60Hz     | 0.045A        | 0.30A             | 12.4W       | 9.9W      | <20%       | >0.8         |
| ASDE6_159BIO[MJW]Z10U/3 | 120V        | 50/60Hz     | 0.141A        | 0.44A             | 16.9W       | 14.4W     | <15%       | >0.9         |
|                         | 277V        | 50/60Hz     | 0.064A        | 0.44A             | 17.7W       | 14.4W     | <20%       | >0.85        |
| ASDE6_209BIO[MJW]Z10U/3 | 120V        | 50/60Hz     | 0.214A        | 0.65A             | 25.7W       | 22.1W     | <15%       | >0.9         |
|                         | 277V        | 50/60Hz     | 0.097A        | 0.65A             | 27.0W       | 22.1W     | <25%       | >0.85        |
| ASDE6_259BIO[MJW]Z10U/3 | 120V        | 50/60Hz     | 0.268A        | 0.80A             | 32.2W       | 28.0W     | <15%       | >0.9         |
|                         | 277V        | 50/60Hz     | 0.119A        | 0.80A             | 32.9W       | 28.0W     | <15%       | >0.9         |

# ASD6 Square Sealed Downlight

## Narrow beam, 2000lm Engine, 102lm/W at 17W

### Candela curve



### ASDE6O20935NZ10U - ASDT6SONMCL

|                |            |
|----------------|------------|
| Output lumens: | 1777 lm    |
| CCT:           | 3500K      |
| Input watts:   | 17.4 W     |
| Efficacy:      | 102.1 lm/W |
| CRI:           | 90 min     |
| Spacing crit.: | 0.58       |
| Beam angle:    | 36°        |

### Zonal summary

| Zone | Lumens | %Luminaire |
|------|--------|------------|
| 0-30 | 1510   | 85.0%      |
| 0-40 | 1717   | 96.6%      |
| 0-60 | 1777   | 100.0%     |
| 0-90 | 1777   | 100.0%     |

| Angle | Mean CP | Lumens |
|-------|---------|--------|
| 0     | 3909    |        |
| 5     | 3701    |        |
| 10    | 3070    | 333    |
| 15    | 2328    |        |
| 20    | 1725    | 647    |
| 25    | 1180    |        |
| 30    | 642     | 530    |
| 35    | 312     |        |
| 40    | 151     | 207    |
| 45    | 68      |        |
| 50    | 19      | 55     |
| 55    | 3       |        |
| 60    | 1       | 5      |
| 65    | 1       |        |
| 70    | 0       | 1      |
| 75    | 0       |        |
| 80    | 0       | 0      |
| 85    | 0       |        |
| 90    | 0       | 0      |

### Single unit data

| Height to lighted plane | Initial foot-candles | Beam diameter (ft)* |
|-------------------------|----------------------|---------------------|
| 8'                      | 61                   | 4.8'                |
| 9'                      | 48                   | 5.4'                |
| 10'                     | 39                   | 6.0'                |
| 12'                     | 27                   | 6.6'                |
| 14'                     | 20                   | 8.1'                |

\* Beam diameter is where foot-candles drop to 50% of maximum.

### Multiple unit data - RCR 2

| Spacing on center | Initial foot-candles | Watts per sq. ft. |
|-------------------|----------------------|-------------------|
| 5'                | 83.0                 | 0.77              |
| 6'                | 54.0                 | 0.51              |
| 7'                | 39.0                 | 0.36              |
| 8'                | 33.0                 | 0.30              |
| 9'                | 26.0                 | 0.24              |

38' x 38' x 10' Room, Workplane 2.5' above floor, 80/50/20% Reflectances

Efficacy: 102.1lm/W  
Report#: STMR-2975

### Adjustment factors

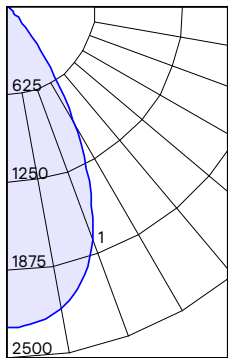
| Reflector Finish | CCT                 | Lenses      |
|------------------|---------------------|-------------|
| CL = 100%        | 90CRI, 4000K = 102% | 125CA = 96% |
| CC = 95%         | 90CRI, 3500K = 100% | 125CP = 90% |
| CD = 87%         | 90CRI, 3000K = 96%  | 187CP = 92% |
| WH = 87%         | 90CRI, 2700K = 92%  | 250CP = 85% |
| BK = 57%         |                     | CP125 = 84% |
| AM = 97%         |                     | NA = 100%   |

### Coefficients of utilization

| Ceiling           | 80%   |     | 70% |     | 50% |     | 30% |     | 0%  |     |     |     |
|-------------------|---|-----|-----|-----|-----|-----|-----|-----|-----|-----|-----|-----|
|                   | 70  | 50  | 30  | 10  | 50  | 10  | 50  | 10  | 50  | 10  | 0   |     |
| Wall              | 70  | 50  | 30  | 10  | 50  | 10  | 50  | 10  | 50  | 10  | 0   |     |
| RCR               | Zonal cavity method - Effective floor reflectance = 20% |     |     |     |     |     |     |     |     |     |     |     |
| Room Cavity Ratio | 0   | 119 | 119 | 119 | 119 | 116 | 116 | 111 | 111 | 106 | 106 | 100 |
| 1                 | 114   | 112 | 110 | 108 | 110 | 106 | 106 | 103 | 102 | 100 | 95  | 95  |
| 2                 | 109   | 105 | 102 | 99  | 103 | 98  | 100 | 95  | 97  | 93  | 90  | 90  |
| 3                 | 105   | 99  | 95  | 91  | 98  | 91  | 95  | 89  | 93  | 88  | 85  | 85  |
| 4                 | 101   | 94  | 89  | 86  | 93  | 85  | 91  | 84  | 89  | 83  | 81  | 81  |
| 5                 | 96  | 89  | 84  | 80  | 88  | 80  | 87  | 79  | 85  | 79  | 77  | 77  |
| 6                 | 92  | 85  | 80  | 76  | 84  | 76  | 83  | 75  | 81  | 75  | 73  | 73  |
| 7                 | 89  | 81  | 76  | 72  | 80  | 72  | 79  | 71  | 78  | 71  | 69  | 69  |
| 8                 | 85  | 77  | 72  | 68  | 77  | 68  | 75  | 68  | 75  | 68  | 66  | 66  |
| 9                 | 82  | 74  | 69  | 65  | 73  | 65  | 72  | 65  | 71  | 65  | 63  | 63  |
| 10                | 79  | 71  | 66  | 62  | 70  | 62  | 69  | 62  | 69  | 62  | 60  | 60  |

## Medium beam, 2000lm Engine, 102lm/W at 18W

### Candela curve



### ASDE6O20935MZ10U - ASDT6SONMCL

|                |            |
|----------------|------------|
| Output lumens: | 1813 lm    |
| CCT:           | 3500K      |
| Input watts:   | 17.8 W     |
| Efficacy:      | 101.9 lm/W |
| CRI:           | 90 min     |
| Spacing crit.: | 0.88       |
| Beam angle:    | 55°        |

### Zonal summary

| Zone | Lumens | %Luminaire |
|------|--------|------------|
| 0-30 | 1396   | 77.0%      |
| 0-40 | 1731   | 95.5%      |
| 0-60 | 1811   | 99.9%      |
| 0-90 | 1813   | 100.0%     |

| Angle | Mean CP | Lumens |
|-------|---------|--------|
| 0     | 2284    |        |
| 5     | 2260    |        |
| 10    | 2184    | 213    |
| 15    | 2031    |        |
| 20    | 1761    | 564    |
| 25    | 1373    |        |
| 30    | 933     | 619    |
| 35    | 528     |        |
| 40    | 237     | 335    |
| 45    | 86      |        |
| 50    | 21      | 75     |
| 55    | 3       |        |
| 60    | 1       | 5      |
| 65    | 1       |        |
| 70    | 0       | 1      |
| 75    | 0       |        |
| 80    | 0       | 0      |
| 85    | 0       |        |
| 90    | 0       | 0      |

### Single unit data

| Height to lighted plane | Initial foot-candles | Beam diameter (ft)* |
|-------------------------|----------------------|---------------------|
| 5'                      | 91                   | 4.4'                |
| 6'                      | 63                   | 5.3'                |
| 7'                      | 47                   | 6.2'                |
| 8'                      | 36                   | 7.0'                |
| 9'                      | 28                   | 7.9'                |

\* Beam diameter is where foot-candles drop to 50% of maximum.

### Multiple unit data - RCR 2

| Spacing on center | Initial foot-candles | Watts per sq. ft. |
|-------------------|----------------------|-------------------|
| 5'                | 83.0                 | 0.79              |
| 6'                | 55.0                 | 0.52              |
| 7'                | 39.0                 | 0.37              |
| 8'                | 33.0                 | 0.31              |
| 9'                | 26.0                 | 0.25              |

38' x 38' x 10' Room, Workplane 2.5' above floor, 80/50/20% Reflectances

Efficacy: 101.9lm/W  
Report#: STMR-2440

### Adjustment factors

| Reflector Finish | CCT                 | Lenses      |
|------------------|---------------------|-------------|
| CL = 100%        | 90CRI, 4000K = 102% | 125CA = 96% |
| CC = 95%         | 90CRI, 3500K = 100% | 125CP = 90% |
| CD = 87%         | 90CRI, 3000K = 96%  | 187CP = 92% |
| WH = 87%         | 90CRI, 2700K = 92%  | 250CP = 85% |
| BK = 57%         |                     | CP125 = 84% |
| AM = 97%         |                     | NA = 100%   |

### Coefficients of utilization

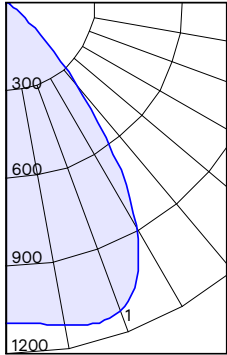
| Ceiling           | 80%   |     | 70% |     | 50% |     | 30% |     | 0%  |     |     |
|-------------------|---|-----|-----|-----|-----|-----|-----|-----|-----|-----|-----|
|                   | 70  | 50  | 30  | 10  | 50  | 10  | 50  | 10  | 50  | 10  | 0   |
| Wall              | 70  | 50  | 30  | 10  | 50  | 10  | 50  | 10  | 50  | 10  | 0   |
| RCR               | Zonal cavity method - Effective floor reflectance = 20% |     |     |     |     |     |     |     |     |     |     |
| Room Cavity Ratio | 0   | 119 | 119 | 119 | 116 | 116 | 111 | 111 | 106 | 106 | 100 |
| 1                 | 114   | 112 | 110 | 108 | 110 | 106 | 106 | 103 | 102 | 100 | 95  |
| 2                 | 109   | 105 | 102 | 99  | 103 | 98  | 100 | 95  | 97  | 93  | 90  |
| 3                 | 105   | 99  | 95  | 91  | 98  | 91  | 95  | 89  | 93  | 88  | 85  |
| 4                 | 101   | 94  | 89  | 86  | 93  | 85  | 91  | 84  | 89  | 83  | 81  |
| 5                 | 96  | 89  | 84  | 80  | 88  | 80  | 87  | 79  | 85  | 79  | 77  |
| 6                 | 92  | 85  | 80  | 76  | 84  | 76  | 83  | 75  | 81  | 75  | 73  |
| 7                 | 89  | 81  | 76  | 72  | 80  | 72  | 79  | 71  | 78  | 71  | 69  |
| 8                 | 85  | 77  | 72  | 68  | 77  | 68  | 75  | 68  | 75  | 68  | 66  |
| 9                 | 82  | 74  | 69  | 65  | 73  | 65  | 72  | 65  | 71  | 65  | 63  |
| 10                | 79  | 71  | 66  | 62  | 70  | 62  | 69  | 62  | 69  | 62  | 60  |

1. Correlated Color Temperature within specs as defined in ANSI\_NEMA\_ANSI C78.377-2008: Specifications for the Chromaticity of Solid State Lighting Products.  
2. Tested using absolute photometry as specified in LM79: IESNA Approved Method for the Electrical and Photometric Measurements of Solid-State Lighting Products.

# ASD6 Square Sealed Downlight

Wide beam, 2000lm Engine, 81lm/W at 18W

## Candela curve



ASDE6O20935WZ10U - ASDT6SOWCL

|                |           |
|----------------|-----------|
| Output lumens: | 1433 lm   |
| CCT:           | 3500K     |
| Input watts:   | 17.8 W    |
| Efficacy:      | 80.5 lm/W |
| CRI:           | 90 min    |
| Spacing crit.: | 1.2       |
| Beam angle:    | 72°       |

## Zonal summary

| Zone | Lumens | %Luminaire |
|------|--------|------------|
| 0-30 | 900    | 62.8%      |
| 0-40 | 1288   | 89.9%      |
| 0-60 | 1431   | 99.9%      |
| 0-90 | 1433   | 100.0%     |

| Angle | Mean CP | Lumens |
|-------|---------|--------|
| 0     | 1095    |        |
| 5     | 1102    |        |
| 10    | 1120    | 106    |
| 15    | 1137    |        |
| 20    | 1123    | 321    |
| 25    | 1044    |        |
| 30    | 882     | 473    |
| 35    | 634     |        |
| 40    | 363     | 388    |
| 45    | 162     |        |
| 50    | 43      | 133    |
| 55    | 6       |        |
| 60    | 2       | 10     |
| 65    | 1       |        |
| 70    | 1       | 1      |
| 75    | 0       |        |
| 80    | 0       | 0      |
| 85    | 0       |        |
| 90    | 0       | 0      |

## Single unit data

| Height to lighted plane | Initial foot-candles | Beam diameter (ft)* |
|-------------------------|----------------------|---------------------|
| 5'                      | 44                   | 6.0'                |
| 6'                      | 30                   | 7.2'                |
| 7'                      | 22                   | 8.4'                |
| 8'                      | 17                   | 9.6'                |
| 9'                      | 14                   | 10.8'               |

\* Beam diameter is where foot-candles drop to 50% of maximum.

## Multiple unit data - RCR 2

| Spacing on center | Initial foot-candles | Watts per sq. ft. |
|-------------------|----------------------|-------------------|
| 5'                | 65.0                 | 0.79              |
| 6'                | 43.0                 | 0.52              |
| 7'                | 30.0                 | 0.37              |
| 8'                | 25.0                 | 0.31              |
| 9'                | 20.0                 | 0.25              |

38' x 38' x 10' Room, Workplane 2.5' above floor, 80/50/20% Reflectances

Efficacy: 80.5lm/W  
Report#: STMR-2438

## Adjustment factors

| Reflector Finish | CCT                 | Lenses      |
|------------------|---------------------|-------------|
| CL = 100%        | 90CRI, 4000K = 102% | 125CA = 96% |
| CC = 95%         | 90CRI, 3500K = 100% | 125CP = 90% |
| CD = 87%         | 90CRI, 3000K = 96%  | 187CP = 92% |
| WH = 87%         | 90CRI, 2700K = 92%  | 250CP = 85% |
| BK = 57%         |                     | CP125 = 84% |
| AM = 97%         |                     | NA = 100%   |

## Coefficients of utilization

| Ceiling           | 80%   |     |     |     | 70% |     | 50% |     | 30% |     | 0%  |     |
|-------------------|---|-----|-----|-----|-----|-----|-----|-----|-----|-----|-----|-----|
|                   | 70  | 50  | 30  | 10  | 50  | 10  | 50  | 10  | 50  | 10  | 0   |     |
| Wall              |   |     |     |     |     |     |     |     |     |     |     |     |
| RCR               | Zonal cavity method - Effective floor reflectance = 20% |     |     |     |     |     |     |     |     |     |     |     |
| Room Cavity Ratio | 0   | 119 | 119 | 119 | 119 | 116 | 116 | 111 | 111 | 106 | 106 | 100 |
| 1                 | 113   | 110 | 108 | 105 | 108 | 104 | 104 | 101 | 101 | 100 | 98  | 93  |
| 2                 | 107   | 102 | 98  | 94  | 100 | 93  | 97  | 91  | 94  | 89  | 86  |     |
| 3                 | 101   | 95  | 89  | 85  | 93  | 85  | 91  | 83  | 88  | 82  | 79  |     |
| 4                 | 96  | 88  | 82  | 78  | 87  | 77  | 84  | 76  | 82  | 75  | 73  |     |
| 5                 | 91  | 82  | 75  | 71  | 81  | 71  | 79  | 70  | 77  | 69  | 67  |     |
| 6                 | 85  | 76  | 70  | 65  | 75  | 65  | 74  | 64  | 72  | 64  | 62  |     |
| 7                 | 81  | 71  | 65  | 60  | 70  | 60  | 69  | 60  | 68  | 59  | 57  |     |
| 8                 | 76  | 66  | 60  | 56  | 66  | 55  | 65  | 55  | 64  | 55  | 53  |     |
| 9                 | 72  | 62  | 56  | 52  | 62  | 52  | 61  | 51  | 60  | 51  | 50  |     |
| 10                | 69  | 58  | 52  | 48  | 58  | 48  | 57  | 48  | 56  | 48  | 46  |     |

1. Correlated Color Temperature within specs as defined in ANSI\_NEMA\_ANSLG C78.377-2008: Specifications for the Chromaticity of Solid State Lighting Products.
2. Tested using absolute photometry as specified in LM79: IESNA Approved Method for the Electrical and Photometric Measurements of Solid-State Lighting Products.

## Buy American Act of 1933 (BAA):

This product is manufactured in one of our US factories and, as of the date of this document, this product was considered a commercially available off-the-shelf (COTS) item meeting the requirements of the BAA. This BAA designation hereunder does not address (i) the applicability of, or availability of a waiver under, the Trade Agreements Act, or (ii) the "Buy America" domestic content requirements imposed on states, localities, and other non-federal entities as a condition of receiving funds administered by the Department of Transportation or other federal agencies. Prior to ordering, please visit [www.signify.com/baa](http://www.signify.com/baa) to view a current list of BAA-compliant products to confirm this product's current compliance.