



Lightolier LED Core Track Head are the budget-friendly track lighting solution used for displays, accent, and task lighting. This family has a simple and classic look with a shallow adapter making this track head a good option for lower mounting heights and smaller spaces.

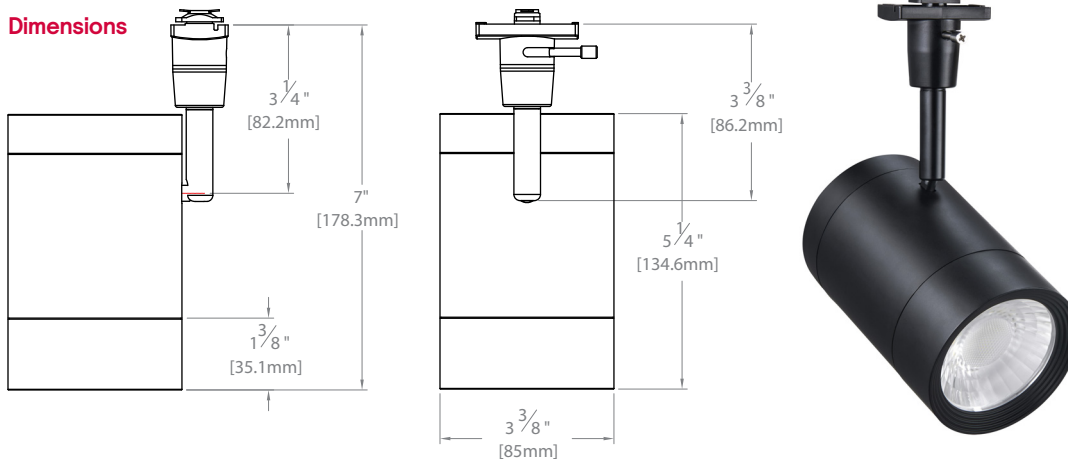
Project: _____
 Location: _____
 Cat.No: _____
 Type: _____
 Qty: : _____
 Notes: _____

Fixture

example: THCL10RWF930WH

Series	Adapters	Lumens/Wattage	Beam Spread	CRI/CCT	Finish
THC	L	10	RWF	930	
THC Core Track Head	L Lightolier	10 1050lm @ 10W	RWF Wide Flood 40°	930 90 CRI / 3000K CCT	WH White (matte) BK Black (matte)

Dimensions



Features

- Track attachment fitting: Molded polycarbonate. Rotates into place with the use of a push tab.
- Push tab: Molded polycarbonate. Locks and detaches unit.
- Driver and optic housing: 1000lm: Plastic. Horizontally rotates 330° and vertically rotates 90°
- Movable contact: Solid brass.
- Integrated heat sink: Passive cooling, integrated into optic and driver housing.
- Lifetime: THC10: B50L70 = 50,000 hrs
- Finish: Matte white and matte black.
- Install: Suitable for ceiling mounted track only. Compatible with Lytespan Lightolier track. Not compatible with extension wands.
- Light source: LED
- Fixed track contacts: Compatible with LyteSpan Basic 1 circuit track only.

Electronic PSU Input Voltage 120V 60Hz

Specifications	Beam Angle	Lumens	Power	Efficacy	CBCP
THCL10930BK	40° Flood	1150lm	10W	115lm/w	2296
THCL10930WH	40° Flood	1150lm	10W	115lm/w	2296

Dimming

Driver	THC
DVLV-600 (ELV)	>5%
D-603PH (TRIAC)	>5%
AY-600P (TRIAC)	>5%
MACL-153M (TRIAC)	>10%

Labels

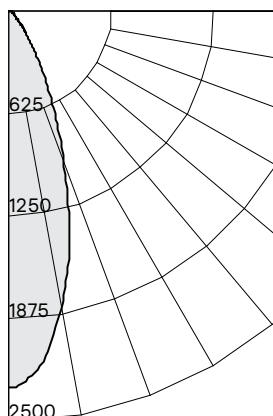
ETL listed.
 DLC Monopoints certified.
 5 year warranty.

THC Core Track Head

Downlight

1000 lm Engine, 118 lm/W at 10 W

Candela Curve



THC 1000 36°

Output lumens: 1182 lm
 CCT¹: 2700K
 Input watts²: 10.0 W
 Efficacy: 118.2 lm/W
 CRI: 90 min
 Center beam candlepower: 2,296 cd
 Beam angle: 36°
 R9 Value: >50

30° Horizontal Aiming

Distance (D)	Distance (C)	F.C.	Beam length (L)	Beam width (W)
6	3.5	41	5.4	4.5
8	4.6	23	7.2	6.0
10	5.8	15	9.0	7.5
12	6.9	10	10.8	9.0

30° Vertical Aiming

Distance (D)	Distance (C)	F.C.	Beam length (L)	Beam width (W)
2	3.5	72	7.6	2.6
3	5.2	32	11.4	3.9
4	6.9	18	15.2	5.2
5	8.7	11	19.0	6.5

1. Correlated Color Temperature within specs as defined in ANSI_NEMA_ANSLG C78.377-2008: Specifications for the Chromaticity of Solid State Lighting Products.
2. Tested using absolute photometry as specified in LM79: IESNA Approved Method for the Electrical and Photometric Measurements of Solid-State Lighting Products.