

TruGroove micro flex is a family of continuously illuminated angles and intersections that let you express your creativity by lighting spaces your way. Combine with TruGroove micro suspended linear luminaires or add standalone pieces with TruGroove micro shapes to create unique luminous patterns that enhance the built environment.

Project: _____
 Location: _____
 Cat.No: _____
 Type: _____
 Line ID: _____ Qty: _____
 Notes: _____

Ordering guide ¹²

Example: TM05L940LNNNN30Q50U3DE1NNNW, A6-1-24

Family	Version	Distribution ¹	Source	CRI/CCT ^{1,2,3,5}	Direct* ²						Indirect	
					Lens Optic*	Louver Cell Optic*	Louver Color	Louver Length*	Louver Position*	Lumens lm/4ft ¹	Optics	Lumens lm/4ft ¹
TM	TruGroove micro flex vertical	0 Susp.	L LED	927 90/2700K 930 90/3000K 935 90/3500K 940 90/4000K 950 90/5000K 9T2 90/2700-6500K 2ch Tunable White (confirm controls)	L Definition sym. flush silk	N No louver (must specify lens optic)	N None	N None	N None	40 4000lm 35 3500lm 30 3000lm 25 2500lm 20 2000lm 15 1500lm 10 1000lm	N None Q Performance symmetric	NN None 50 5000lm 40 4000lm 30 3000lm 20 2000lm 10 1000lm

*Notes: Louver Cell Optic not available in vertical configurations, must select N. Please enquire for custom Louver Cell options (extended lead times may apply).

Type	Size ⁴ (angle/leg)	Voltage ⁵	Driver ^{†, 3, 5, 10}	Circuit ^{6,7,8}	Wiring ^{6,7,8,9}	Systems/Controls ^{†,10,11}
U Up D Down	6 60°/2'x2' E 60°/3'x1' 4 45°/2'x2' C 45°/3'x1' 3 30°/2'x2' A 30°/3'x1'	D UNV 120-277V 3 347V D UNV 120-277V D UNV 120-277V D UNV 120-277V	E Advance Xitanium 0-10V (1% Dim) D Advance Xitanium DALI-2 (5% Dim) H Lutron EcoSystem LDE1 (<1% Dim, Fade-to-Black) S Advance Xitanium SR, DALI-2 D4i (1% Dim) F Advance FlexTune 2ch SR, DALI-2 (1% Dim) 2 0-10V 2ch (0.1% Dim) 6 DALI-2 DT6 2ch (0.1% Dim) 8 DALI-2 DT8 2ch (0.1% Dim)	1 Single circuit V Single circuit + 1 thru wire F Single circuit + 4 thru wires G Dual circuit (up/down) W Dual circuit (up/down) + 1 thru wire 1 Single circuit V Single circuit + 1 thru wire	N None E Aux. Wiring N None	NN None RA Interact RADIO only node CS Interact wireless day & occ. sensor SB Interact advanced wireless sensor bundle

† Notes: Interact sensors can only be combined with SR driver types S & F. Must select NN for System/Controls options with all other driver types.

Finish	Mount Type ‡	Ceiling Type [†]	Suspension Length [†]
W Standard white T Titanium silver G Graphite gray B Midnight black C Custom (specify color)	A Aircraft Cable Mount	1 Non-accessible ceiling, 0°-15° Slope Mount 2 T-Grid, Fixed Position Mount 3 Non-accessible ceiling, 0°-90° Slope Mount 5 T-Grid 24" Span Mount, (non tegular tile only)	6-1 T-Grid On-Grid Mount 15/16", (non tegular tile only) 6-2 T-Grid On-Grid Mount 9/16", (non tegular tile only) 6-3 T-Grid On-Grid Mount 9/16" x 5/16", (slot tee & tegular tile)

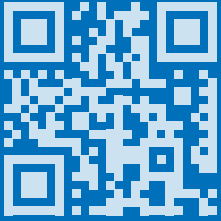
‡ Notes: Aircraft cable suspension length is from ceiling to top of luminaire. Standard power cord is white. Black or clear power cords available on request. Standard canopies are white. A1, A2, A3 & A5 canopies can be powder coated to match fixture or ceiling color on request.

Footnotes

- Nominal values within a range. Some lumen packages not available in all configurations, consult photometry data for CRI/CCT (static & tunable white), lumens & distribution of chosen configuration.
- Louver Cell Optic not available in vertical configurations, must select N. Please enquire for custom Louver Cell options (extended lead times may apply). Tunable White not available with Louver Cell Optics.
- Tunable White only available with Advance FlexTune 2ch SR, 0-10V 2ch, DALI-2 (DT6 or DT8) drivers. Please enquire about options for Lutron or DMX (extended lead times may apply).
- Please enquire about options for custom angles (extended lead times may apply).
- 347V Only available with static white 0-10V options.
- Some circuit/wiring options not available in all configurations, consult Ledalite for available options.
- Luminaires are pre-wired to ends with quick wire connectors at one end for standard circuit & battery pack trigger wire (if applicable). Each circuit has its own neutral conductor. All circuits are clearly labelled at each end.
- Through-wire options provide either one additional set of (4) power and dimming wires (Black/White/Purple/Pink or Brown) or one additional battery pack trigger wire (Orange) through a selected module. Please enquire for other through-wire options (extended lead times may apply).
- Auxiliary wiring not available in Interact Pro luminaires. Auxiliary sections are wired to one fixture end only.
- Interact sensor control only available when selecting a Sensor Ready driver option. Interact Pro options may require an IRT9015 Interact commissioning remote or other separate controls hardware by Signify.
- TruGroove micro flex is only available with remote mounted sensors, please confirm recessed or surface sensor mounting. A Sensor Ready driver option must be selected, extended lead times may apply.
- Other options not shown here may also be possible via a custom request, please consult factory. Extended lead times and minimum order quantities may apply.

Note: Due to continuing product improvements, Ledalite reserves the right to change the specifications without notice.

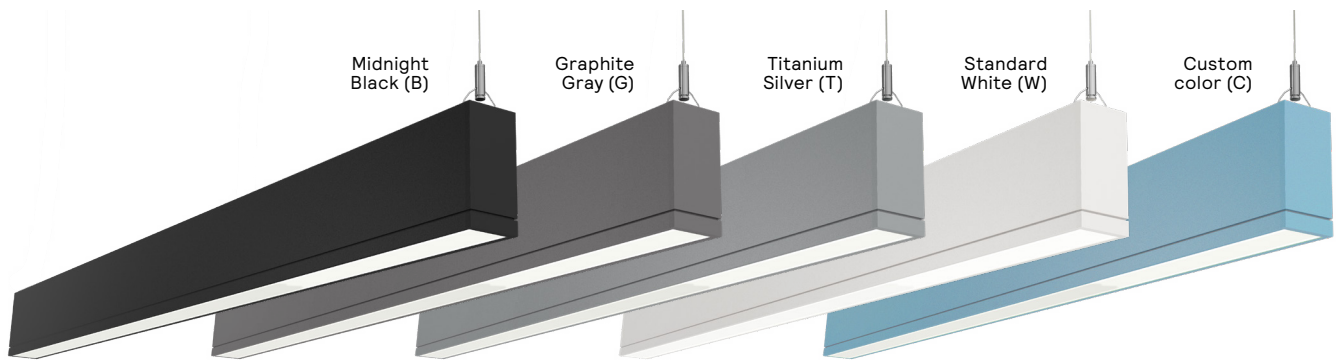
TruGroove micro flex (vertical)



TruGroove micro flex (vertical) comprises a wide range of up and down transitions, enabling creation of fully illuminated patterns that elevate your lighting into another dimension.

Connect TruGroove micro flex to our TruGroove micro suspended luminaires. Find the TruGroove micro family by scanning or clicking the QR code.

Finishes

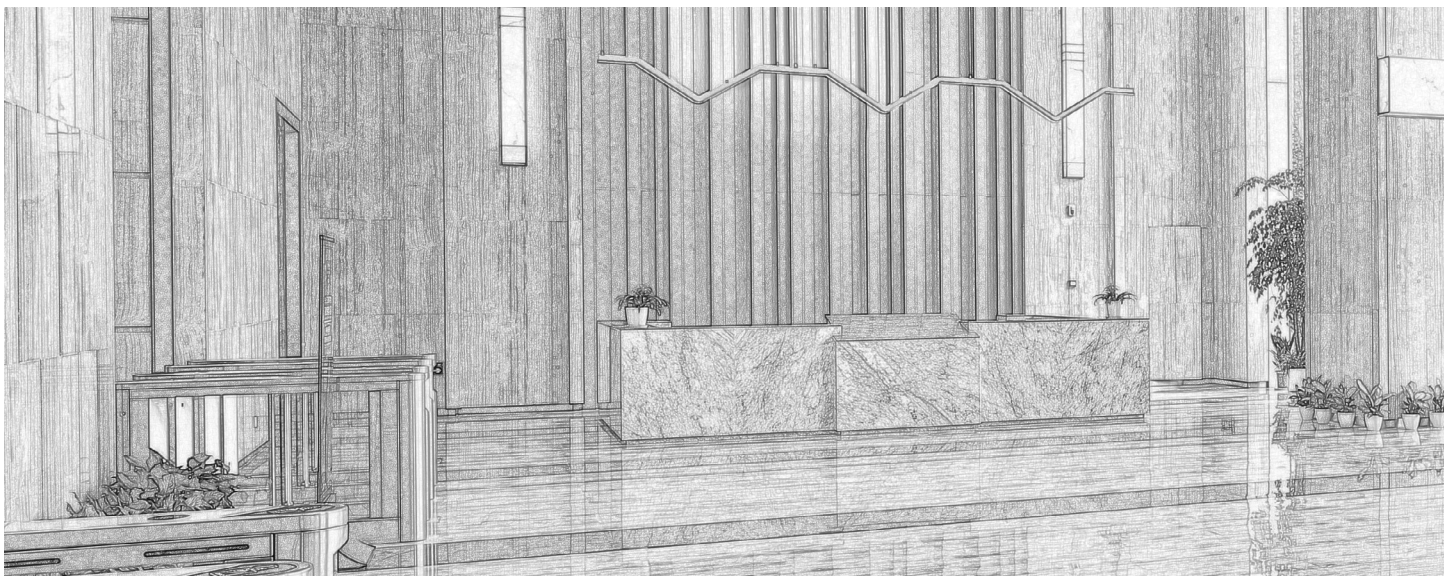


Note: Colors above are a representation, due to monitor calibration or printing process they may differ from luminaire powder coat finish.

Options and dimensions

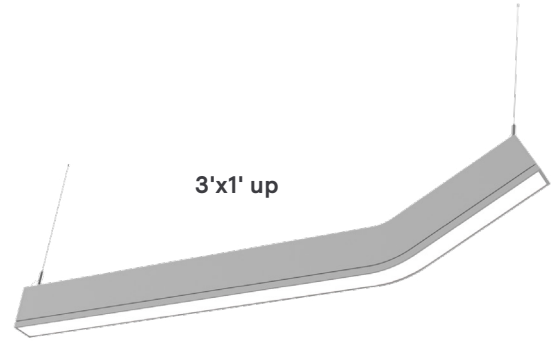
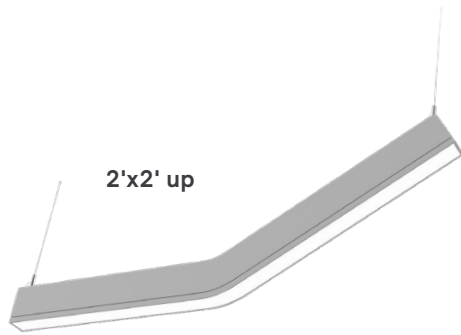
Patterns

Bend light into the vertical plane to seamlessly follow stairs and escalators or build creative patterns that flex your space. Contact Ledalite for custom angles (extended lead times may apply).

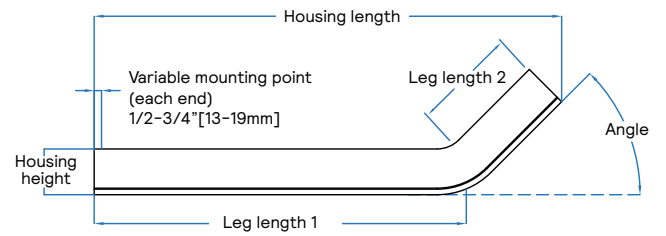
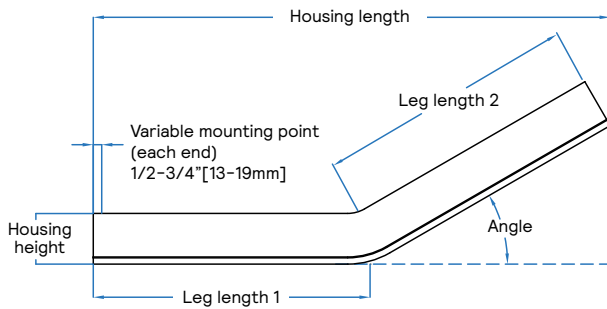


TruGroove micro flex (vertical)

Up transitions



Side views



Distribution	Housing cross section	Nominal size		Leg length (1)	Leg length (2)	Housing length
		Angle	Leg length			
Direct	Height: 4" [102mm] Width: 2 1/8" [54mm]	60°	2'x2'	25 3/16" [640mm]	25 3/16" [640mm]	37 13/16" [960mm]
			3'x1'	37 3/16" [945mm]	13 5/16" [338mm]	43 7/8" [1,114mm]
		45°	2'x2'	24 15/16" [633mm]	24 15/16" [633mm]	42 9/16" [1,081mm]
			3'x1'	36 7/8" [936mm]	12 15/16" [328mm]	46" [1,168mm]
		30°	2'x2'	24 1/2" [623mm]	24 1/2" [623mm]	45 13/16" [1,163mm]
			3'x1'	36 7/16" [926mm]	12 9/16" [319mm]	47 5/16" [1,202mm]
Direct Indirect	Height: 4 1/2" [114mm] Width: 2 1/8" [54mm]	60°	2'x2'	25 3/16" [640mm]	25 3/16" [640mm]	37 13/16" [960mm]
			3'x1'	37 3/16" [945mm]	13 1/4" [337mm]	43 7/8" [1,114mm]
		45°	2'x2'	24 13/16" [631mm]	24 13/16" [631mm]	42 3/8" [1,077mm]
			3'x1'	36 7/8" [936mm]	12 15/16" [328mm]	46" [1,168mm]
		30°	2'x2'	24 5/8" [625mm]	24 5/8" [625mm]	45 7/8" [1,166mm]
			3'x1'	36 9/16" [929mm]	12 11/13" [322mm]	47 9/16" [1,208mm]

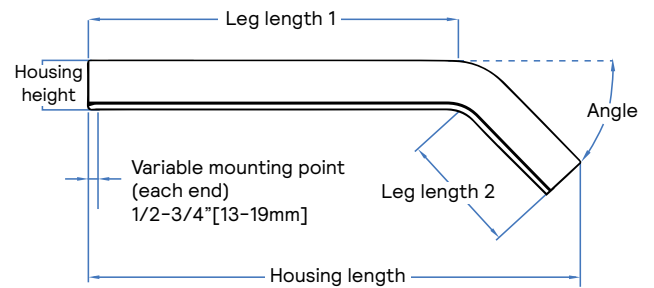
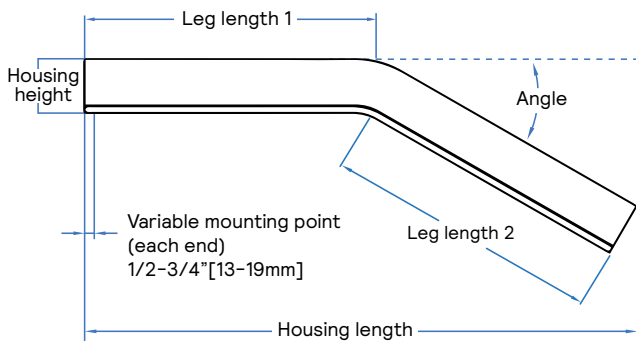
Note: Installing an endcap to an end of run fixture will add 1/4" [6mm] to the fixture housing length (applies to both ends for standalone fixtures).

TruGroove micro flex (vertical)

Down transitions



Side views



Distribution	Housing cross section	Nominal size		Leg length (1)	Leg length (2)	Housing length
		Angle	Leg length			
Direct	Height: 4" [102mm] Width: 2 1/8" [54mm]	60°	2'x2'	23 1/8" [587mm]	23 1/8" [587mm]	38 1/8" [968mm]
			3'x1'	35 3/16" [894mm]	11" [279mm]	44 3/16" [1,122mm]
		45°	2'x2'	23 1/4" [591mm]	23 1/4" [591mm]	42 9/16" [1,081mm]
			3'x1'	35 3/16" [894mm]	11 1/4" [286mm]	46" [1,168mm]
		30°	2'x2'	23 7/16" [596mm]	23 7/16" [596mm]	45 13/16" [1,163mm]
			3'x1'	35 3/8" [899mm]	11 1/2" [292mm]	47 5/16" [1,202mm]
Direct Indirect	Height: 4 1/2" [114mm] Width: 2 1/8" [54mm]	60°	2'x2'	23 1/8" [587mm]	23 1/8" [587mm]	38 9/16" [979mm]
			3'x1'	35 3/16" [894mm]	11 1/8" [282mm]	44 5/8" [1,134mm]
		45°	2'x2'	23 1/4" [591mm]	23 1/4" [591mm]	42 15/16" [1,090mm]
			3'x1'	35 5/16" [897mm]	11 3/8" [289mm]	46 9/16" [1,182mm]
		30°	2'x2'	23 3/8" [594mm]	23 3/8" [594mm]	45 7/8" [1,166mm]
			3'x1'	35 3/8" [898mm]	11 7/16" [291mm]	47 9/16" [1,208mm]

Note: Installing an endcap to an end of run fixture will add 1/4" [6mm] to the fixture housing length (applies to both ends for standalone fixtures).

TruGroove micro flex (vertical)

Specifications

Optical System

Direct hemisphere: White light emitted from a linear array of downward-facing LEDs is laterally redirected through a flush silk lens generating a lambertian distribution and a uniform continuum of light.

Indirect hemisphere: White light emitted from a linear array of upward-facing LEDs is shaped into a homogeneous, wide-throw batwing distribution using a freeform elliptical lens.

Housing

Post painted precision aluminum extrusion.

Endcaps

Diecast flat aluminum endcaps with integral groove to match housing.

Finish

Housing and endcaps are coated with a high quality electrostatically applied, thermally cured polyester powder coat finish, available in standard Matte White, Titanium Silver, Graphite Grey or Midnight Black. TruGroove micro flex can also be specified in any custom color upon request for a one-time setup charge.

Mounting

Suspended: High strength aircraft cable and tamper-resistant gripper provide unlimited vertical adjustment and are independently tested to stringent safety standards.

Joints

Self-aligning joining system with hands-free pre-joining wire access.

Weight

Maximum 3.8lbs/ft.

Electrical

Fixtures are factory pre-wired with quick-wire connectors and tested for all circuits and backup battery packs. LED boards and drivers are easily field replaceable with access from below the ceiling.

Power drops can be specified in white, black or clear cord options.

Standard Drivers

Advance Xitanium 0-10V, 1% Dimming.

Advance Xitanium DALI-2 compliant, 5% Dimming.

Lutron EcoSystem LDE1, 1% Dimming with Soft-On and Fade-to-Black.

Advance Xitanium SR, DALI-2 D4i (1% Dim)

2ch Tunable Drivers

Advance FlexTune Sensor Ready, DALI-2 compliant 1% Dimming.
0-10V, 0.1% Dimming.

DALI-2 DT6 or DT8, 0.1% Dimming.

Class 2 rated output. Consult Ledalite for other available drivers.

Lumen Maintenance

LEDs have been tested by the manufacturer in accordance with IESNA LM-80-15. At an ambient temperature of 25°C, the LED lumen maintenance expectation according to IES TM-21-11 is:

L_{80} (10k) > 60,000 hours (Reported methodology).

Source Color

LEDs rated for color rendering of:

CRI $R_a \geq 90$, $R_g \geq 50$, $G_a \geq 97$, $C_g \geq 90$

IES TM-30-18: $R_f \geq 90$, $R_{f,h1} \geq 89$, $R_g \geq 99$, $R_{cs,h1} \geq -5\%$

SPD and TM-30-18 reports available upon request.

Fixture to fixture color accuracy within:

2 SDCM for Static White luminaires.

3 SDCM for Tunable White luminaires.

Approvals

Certified to UL, IES & CSA Standards.

TruGroove is Declare label certified. More information on the TruGroove label can be found on www.declare.living-future.org.

Select TruGroove micro configurations contribute toward satisfying features L03, L04, L06, L07 and L08 under the WELL v2 Building Standard®.

Luminaires that include Interact Pro controls options can help meet the requirements in 90.1-2022, IECC 2021, and CA T24 2022 for a maximum of 20min. time out for occupancy controls.

Environment

Rated for dry or damp locations in operating ambient temperatures of $25 \pm 5^\circ\text{C}$ ($77 \pm 9^\circ\text{F}$).

Many luminaire components, such as reflectors, refractors, lenses, and LEDs are made from various types of plastics which can be adversely affected by airborne contaminants. If sulfur-based chemicals, petroleum-based products, cleaning solutions, or other contaminants are expected in the intended area of use, consult factory for compatibility. Damage caused by sulfur, chlorine, petroleum-based solution or other contaminants are not covered under warranty. Not suitable for natatorium environments.

Warranty

Five-year luminaire limited warranty including LED boards and driver:
www.signify.com/warranties

TruGroove micro flex (vertical)

Controls Options*

Interact Radio Node for Standalone, Gateway and Gateway + IoT tiers (RA)

- RA is a connected radio node supporting wireless mesh connectivity.

Interact sensor for Standalone, Gateway and Gateway + IoT tiers (CS)

- CS is a connected sensor with integral occupancy and daylight sensing and supports wireless mesh connectivity.
- The sensor can operate in a standalone mode or in a gateway mode.
- Interact includes an App, a portal and a broad portfolio of wireless luminaires, lamps and retrofit kits all working on the same system.
- Startup is implemented via Interact Pro app (Android or iPhone) & Bluetooth connectivity. The app provides flexibility to choose between a gateway or non gateway mode for setup.
- Setup with the gateway requires wired internet access to the gateway. It is possible to add a gateway at a later point.
- Prepare project configuration steps remotely and use IRT9015 remote onsite to identify and group devices together.
- Compatible with UID8465/10 or UID8465/50 wireless dimmer switches, wireless dimmer switch, SWS200 wireless scene switch, wireless occupancy sensor (OCC0100A/02 BP Sensor WH) and wireless daylight /occupancy sensor (OCC0101A/02 DL BP Sensor WH).
- For more information on Interact visit:
www.interact-lighting.com/en-us/what-is-possible/about-interact

Interact sensor bundles for Gateway + IoT tier (SB)

- SB option, in addition to occupancy and daylight sensing, supports advanced IoT capabilities such as people estimation analysis, desk level temperature & humidity sensing, noise classification, and Bluetooth Low Energy (BLE) beacon.
- Compatible with UID8465/10 or UID8465/50 wireless dimmers switches, SWS200 wireless scene switch, wireless occupancy sensor (OCC0100A/02 BP Sensor WH) and wireless daylight/occupancy sensor (OCC0101A/02 DL BP Sensor WH).
- Use Interact software and insights to increase building efficiency, achieve building wide integration and optimize space through occupancy analytics.
- Requires compatible gateway and internet connectivity for commissioning. For more information, visit: www.interact-lighting.com/office

Tunable White

- Tunable white options are available with Interact wireless or with 2ch 0-10V or DALI-2 (DT6 or DT8) wired drivers. Please inquire about options such as Lutron or DMX control (extended lead times may apply).
- Signify tunable white solutions are designed to help maximize the influence of lighting on your daily life.
- Dynamic behaviors via scheduled lighting recipes mimicking daylight patterns or supporting biorhythms.
- Scene setting via lighting pre-sets based on various combinations of lighting color temperature and intensity.

Interact Pro scalable sensor option codes across Genlyte product lines*

	Evokit	Day-Brite	Ledalite	Lightolier
Zigbee + Bluetooth	RADIO	RADIO	RA	RA
Zigbee + Bluetooth + Sensing	SWZCS	SWZCS	CS	SBA accessory (external)
Zigbee + Bluetooth + Sensing + Environmental data	IAOSB	IAOSB	SB	SB
Zigbee + Highbay + Sensing	-	SWZCSH	-	-

*TruGroove micro flex is only available with remote mounted sensors, please confirm recessed or surface sensor mounting. An SR driver option must be selected, extended lead times may apply.

TruGroove micro flex (vertical)

Functionalities overview

***Note:** TruGroove micro flex is only available with remote mounted sensors, please confirm recessed or surface sensor mounting. A Sensor Ready driver option must be selected, extended lead times may apply.

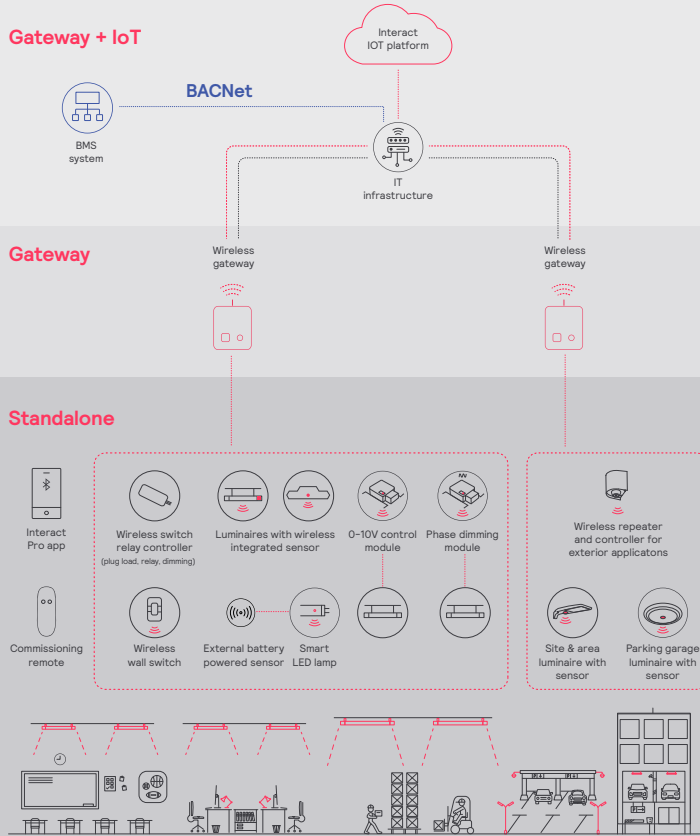
	The three tiers of Interact		
	Standalone	Gateway	Gateway + IoT
Dimming, grouping, and zoning	✓	✓	✓
Bluetooth and ZigBee enabled	✓	✓	✓
Motion sensing and daylight harvesting	✓	✓	✓
Integration with 0-10V and phase dimming fixtures	✓	✓	✓
Code compliance	✓	✓	✓
Granular dimming and dwell time	✓	✓	✓
New Correlated color temperature (CCT) tuning by switch	✓	✓	✓
New Support for sensor-based Tunable White luminaires	✓	✓	✓
Energy reporting and monitoring		✓	✓
Scheduling		✓	✓
Demand response		✓	✓
BMS integration (BACnet)			✓
Floor plan visualization			✓
IoT sensors for wellness			✓
IoT Apps for productivity			✓

Currently supported maximum system size

To be able to design the lighting system correctly for the customer, it is important to know the prime characteristics of the system, its possibilities and limitations.

System level	
Total number of gateways	Unlimited
Total number of devices	200 per network
• luminaires with integrated sensors	150
• smart TLEDs	150
Total number of ZGP devices (sensors and switches)	50
• sensors	30
• switches	50
• zones and groups	64
Group level	
Recommended number of lights	40 (recommended 25)
Number of ZGP devices	5
Number of scenes	16

Interact system architecture for office, education, healthcare, retail, industrial and parking applications



TruGroove micro flex (vertical)

Colorimetry

TruGroove micro flex (TM0x) AccuRender Tunable White

Nominal CRI & CCT		CRI 90+, 2700K	CRI 90+, 3000K	CRI 90+, 3500K	CRI 90+, 4000K	CRI 90+, 5000K	CRI 90+, 6500K
CIE 013.3-1995 ¹	CRI R _a	94	94	95	95	92	92
	R ₉	54	63	72	76	75	75
	G _a	98	100	100	100	98	98
	C _g	92	94	95	96	95	95
IES TM-30-18 ²	R _f	92	92	91	91	90	87
	R _{f,h1}	90	91	91	91	89	89
	R _g	99	100	100	99	99	99
	R _{cs,h1}	-6%	-5%	-4%	-4%	-5%	-5%
MDER ³		0.45	0.53	0.63	0.71	0.83	0.83

TruGroove micro flex (TM0x) AccuRender Static White

Nominal CRI & CCT		CRI 90+, 2700K	CRI 90+, 3000K	CRI 80+, 3500K	CRI 80+, 4000K	CRI 80+, 5000K
CIE 013.3-1995 ¹	CRI R _a	94	93	93	93	93
	R ₉	55	57	59	64	68
	G _a	99	99	99	99	99
	C _g	93	93	93	93	94
IES TM-30-18 ²	R _f	92	91	91	91	90
	R _{f,h1}	90	90	90	91	89
	R _g	100	100	99	100	100
	R _{cs,h1}	-6%	-5%	-6%	-5%	-5%
MDER ³		0.45	0.51	0.58	0.65	0.81

1. Color Rendering Index (CRI Ra) and Strong Red (R9) are calculated in accordance with CIE 013.3-1995. Color Gamut index (Ga) and red chroma Index (Cg) are CIE based properties using the Global Lighting Association's calculation tool.

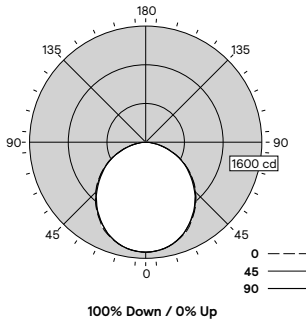
2. Fidelity Index (Rf), Red Fidelity Index (Rf,h1), Gamut Index (Rg), and Red Local Chroma Shift (Rcs,h1) are calculated in accordance with IES TM-30-18.

3. Melanopic Daylight Efficacy Ratio (MDER) is the measure for "spectral melanopic efficiency" as defined in CIE S 026-2018.

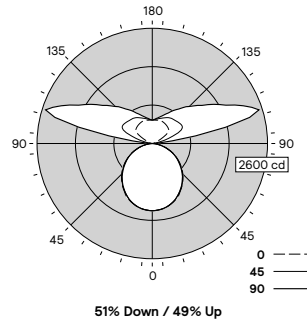
TruGroove micro flex (vertical)

Photometry

Direct (TM01) Definition Symmetric Flush Silk lens



Direct/Indirect (TM05 & TM06) Definition Symmetric Flush Silk lens



Candela plot shown is for 4000lm/4ft Direct CRI 90, 3500K.

Candela plot shown is for 4000lm/4ft Direct, 4000lm/4ft Indirect CRI 90, 3500K.

TruGroove micro flex Direct (TM01) Definition Symmetric Flush Silk lens

Click "PDF" or "IES" text to download

	Nominal CRI & CCT		CRI 90+, 2700K						CRI 90+, 3000K					CRI 90+, 3500K					CRI 90+, 4000K					CRI 90+, 5000K					CRI 90+, 6500K				
	Nominal Lumen Package (lm/4ft) ¹		Watts (W) ³	Flux (lm/4ft) ¹	Efficacy (LPW) ¹	UGR ²	Photometry Report	IES File ⁴	Flux (lm/4ft) ¹	Efficacy (LPW) ¹	UGR ²	Photometry Report	IES File ⁴	Flux (lm/4ft) ¹	Efficacy (LPW) ¹	UGR ²	Photometry Report	IES File ⁴	Flux (lm/4ft) ¹	Efficacy (LPW) ¹	UGR ²	Photometry Report	IES File ⁴	Flux (lm/4ft) ¹	Efficacy (LPW) ¹	UGR ²	Photometry Report	IES File ⁴					
	Direct	Indirect ⁶																															
Tunable White ⁵	4,000	-	41.5	3,948	91.8	27.2	PDF	IES	3,948	93.3	27.2	PDF	-	3,948	95.2	27.2	PDF	-	3,948	96.9	27.2	PDF	-	3,948	99.6	27.2	PDF	-	3,948	102.7	27.2	PDF	-
	2,000	-	20.6	2,103	99.2	25.0	PDF	IES	2,103	100.5	25.0	PDF	-	2,103	102.1	25.0	PDF	-	2,103	103.5	25.0	PDF	-	2,103	105.7	25.0	PDF	-	2,103	108.1	25.0	PDF	-
Static White ⁵	4,000	-	43.1	3,955	91.8	27.2	PDF	IES	4,058	94.2	27.3	PDF	IES	4,204	97.5	27.4	PDF	IES	4,249	98.6	27.4	PDF	IES	4,299	99.7	27.5	PDF	IES	-	-	-	-	-
	3,500	-	37.3	3,466	92.9	26.7	PDF	IES	3,548	95.1	26.8	PDF	IES	3,681	98.7	26.9	PDF	IES	3,721	99.8	27.0	PDF	IES	3,762	100.9	27.0	PDF	IES	-	-	-	-	-
	3,000	-	31.6	2,980	94.3	26.2	PDF	IES	3,045	96.4	26.3	PDF	IES	3,163	100.1	26.4	PDF	IES	3,198	101.2	26.4	PDF	IES	3,231	102.2	26.5	PDF	IES	-	-	-	-	-
	2,500	-	26.4	2,482	94.0	25.6	PDF	IES	2,533	95.9	25.6	PDF	IES	2,634	99.8	25.8	PDF	IES	2,662	100.8	25.8	PDF	IES	2,688	101.8	25.8	PDF	IES	-	-	-	-	-
	2,000	-	20.7	1,990	96.1	24.8	PDF	IES	2,031	98.1	24.9	PDF	IES	2,113	102.1	25.0	PDF	IES	2,135	103.1	25.0	PDF	IES	2,155	104.1	25.1	PDF	IES	-	-	-	-	-
	1,500	-	15.9	1,490	93.7	23.8	PDF	IES	1,520	95.6	23.9	PDF	IES	1,583	99.6	24.0	PDF	IES	1,597	100.4	24.0	PDF	IES	1,613	101.4	24.1	PDF	IES	-	-	-	-	-
1,000	-	11.2	982	87.7	22.3	PDF	IES	1,002	89.5	22.4	PDF	IES	1,045	93.3	22.5	PDF	IES	1,052	93.9	22.6	PDF	IES	1,063	94.9	22.6	PDF	IES	-	-	-	-	-	

1. 4ft Luminaire photometry has been conducted in accordance with IES LM-79-08. Photometry should be scaled for luminaire configurations other than 4ft. Luminaires with finishes other than standard white may result in a drop in flux and efficacy.
2. Unified Glare Ratio (UGR) is calculated in accordance with CIE 117-1995. Reference conditions of 4Hx8Hx1H and reflectances of 70/50/20% have been applied using the procedure described in CIE 190-2010.
3. Input power stated at 3500K.

4. IES files can be downloaded by clicking the links in the table above, or online at www.ledalite.com. TruGroove micro flex luminaires IES files are provided as 1ft sections to enable pattern building in simulation software. Note, Tunable white IES files provided at 2700K.
5. Static White stated with Advance Xitanium 0-10V driver, Tunable White stated with Advance FlexTune SR driver. Data may vary with other drivers.
6. Nominal total fixture length = 4ft, scaling factor for 4ft photometry = 1x.

