

**Electro-Connect** is a pre-assembled modular wiring system designed to simplify the process of wiring and installing fixtures ultimately providing time and cost savings.

- **Switch module** - is designed to provide locally controlled switching of a room or other indoor area as desired.
- **Terminator** - is designed to be used at the last lighting fixture of each cable run and eliminates the coiling of excess cable.
- **Lighting Cable** - extends locally or panel controlled branch circuit power to another lighting fixture in an accessible ceiling area.

Project: \_\_\_\_\_

Location: \_\_\_\_\_

Cat.No: \_\_\_\_\_

Type: \_\_\_\_\_

Lumens: \_\_\_\_\_ Qty: \_\_\_\_\_

Notes: \_\_\_\_\_

### Ordering guide

**Example: 1SB15-HV**

Voltage	Function	Number of Wires	Cable Length	Options
1 120/208/240 2 277/480	<b>S</b> Switch Module <b>L</b> Lighting Cable	<b>A</b> 2-wire with ground (phase A) <b>B</b> 3-wire with ground (phase A, B) <b>C</b> 4-wire with ground (phase A, B, C) <b>D</b> 2-wire with ground (phase B) <b>F</b> 2-wire with ground (phase C) <b>AD</b> <sup>1</sup> 2-wire with ground (phase A) <b>DF</b> <sup>1</sup> 2-wire with ground (phase B) <b>AF</b> <sup>1</sup> 2-wire with ground (phase C) <b>BN</b> <sup>1</sup> 4-wire with ground 2 Hots, 2 NtIs	<b>15</b> Cable length of 15' <b>O</b> No cable (for Terminator only) <b>X</b> Other cable length in feet - contact factory	<b>HV</b> High Voltage (240 or 480) <b>HCF</b> HCF Cable <b>SC</b> #10AWG wire

1. Used with 208/240/480 voltage

### Application

- The Switch Module is designed to provide locally controlled switching of a room or other indoor area as desired. The Switch Module comes factory pre-wired with a "power-in" and a "power-out" tap and a switched "power-out" tap.
- Designed to be used at the last lighting fixture of each cable run, the Terminator eliminates the coiling of excess cable above the last lighting fixture which will occur if a lighting cable is used instead.
- The Lighting Cable extends locally or panel controlled branch circuit power to another lighting fixture in an accessible ceiling area.

### Construction

#### Switch Module

- Each Distribution Cable is manufactured from Type MC Cable and is equipped with a MC connector to fit in a 1/2" knock-out. The conductors extending into a junction or distribution box for connection to the hard-wired system are six inches long. They consist of 90° C insulated #12 AWG solid copper conductors and a #12 AWG bare solid copper ground.
- All Switch Modules are rated for use on 20 ampere branch circuits and are dead fronted for safety. Each Switch Module is keyed and color coded according to specific voltage requirements.

#### Lighting Cable

- Each Lighting Cable is manufactured from Type MC Cable, the component features 90° C insulated #12 AWG, solid copper conductors with a #12 AWG insulated solid copper ground.
- Lighting Cable leads are 105° C insulated, #18AWG, solid copper conductors.
- All Lighting Cables are rated for use on 20 ampere branch circuits and are dead fronted for safety. All are keyed and color coded according to their specific voltage requirements.

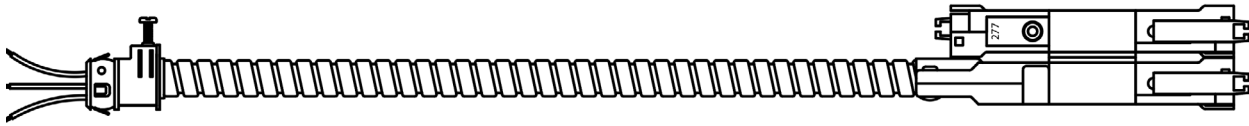
#### Terminator

- Terminators are internally wired with 105° C insulated, #18 AWG solid, copper phase & control conductors and a #18 AWG, solid copper ground.
- All Terminators are rated for use on 20 ampere branch circuit and are keyed and color coded according to their specific voltage requirements.

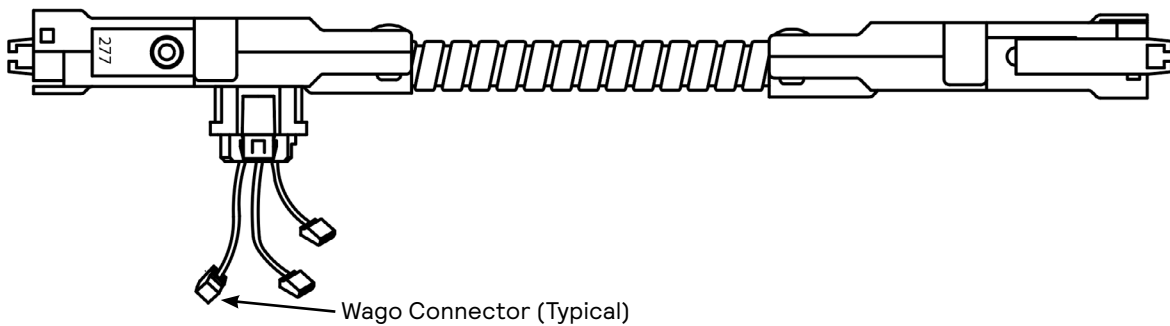
# EC4 Electro-Connect

## Switch Module, Lighting Cable & Terminator

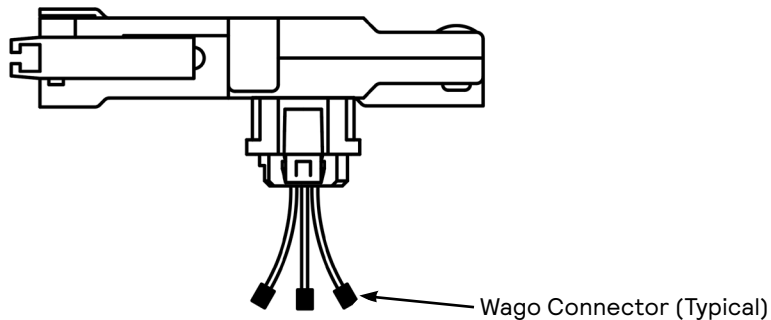
### Switch Module



### Lighting Cable



### Terminator



© 2021 Signify Holding. All rights reserved. The information provided herein is subject to change, without notice. Signify does not give any representation or warranty as to the accuracy or completeness of the information included herein and shall not be liable for any action in reliance thereon. The information presented in this document is not intended as any commercial offer and does not form part of any quotation or contract, unless otherwise agreed by Signify.

Signify North America Corporation  
200 Franklin Square Drive,  
Somerset, NJ 08873  
Telephone 855-486-2216

Signify Canada Ltd.  
281 Hillmount Road,  
Markham, ON, Canada L6C 2S3  
Telephone 800-668-9008

All trademarks are owned by Signify Holding or their respective owners.