

Day-Brite

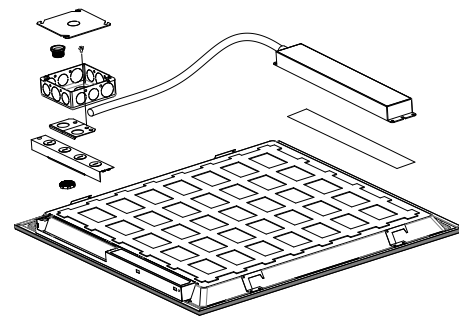
CFI

by Signify

Recessed/Industrial

Field emergency kit

10W field emergency kit



Day-Brite/CFI FPEM, 10-watt emergency kit is ideal for renovations and new construction opportunities where remote mounting is a necessity. The FPEM allows for panels, wraps and strips to be adapted emergency applications. The FPEM is a simple, time saving solution for emergency remote mounting applications.

Project: _____
Location: _____
Cat.No: _____
Type: _____
Lamps: _____ Qty: _____
Notes: _____

Ordering guide

Catalog number

FPEMLED10RM

FPEMLED10RM

Remote Field installable 10W
Emergency driver kit

Product families compatible with the FPEM

Family	Description
FluxPanel SBP	FluxPanel Selectable LED flat panel
FluxPanel FPZ	FluxPanel Gen2 LED flat panel
NWL Wraparound	NWL Wraparound LED
SDS LED	SDS LED Selectable Strip

Application

- Designed for use with several configurations of panels, wraps, and strips product families.
- Retrofit field installation emergency driver kit.

Construction/Finish

- Bodine BSL310C2WM
- Die formed .0625" galvanized steel J box and J box cover, which includes both 3/4" and 1/2" knockouts
- 1/2 Chase nipple and nut
- Die formed .0625" galvanized steel J box mounting bracket
- Two-wire illuminated test switch (2W-ITS) and wall plate

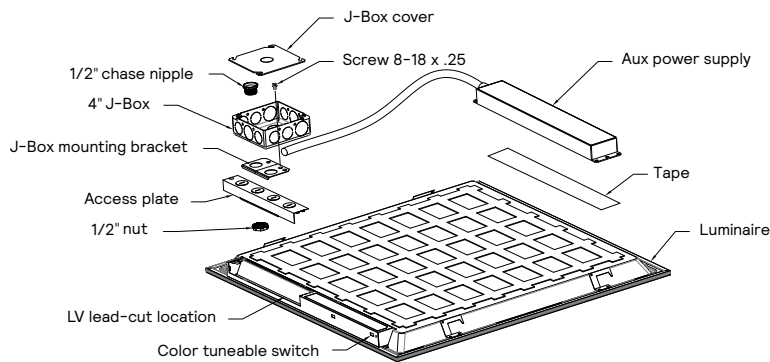
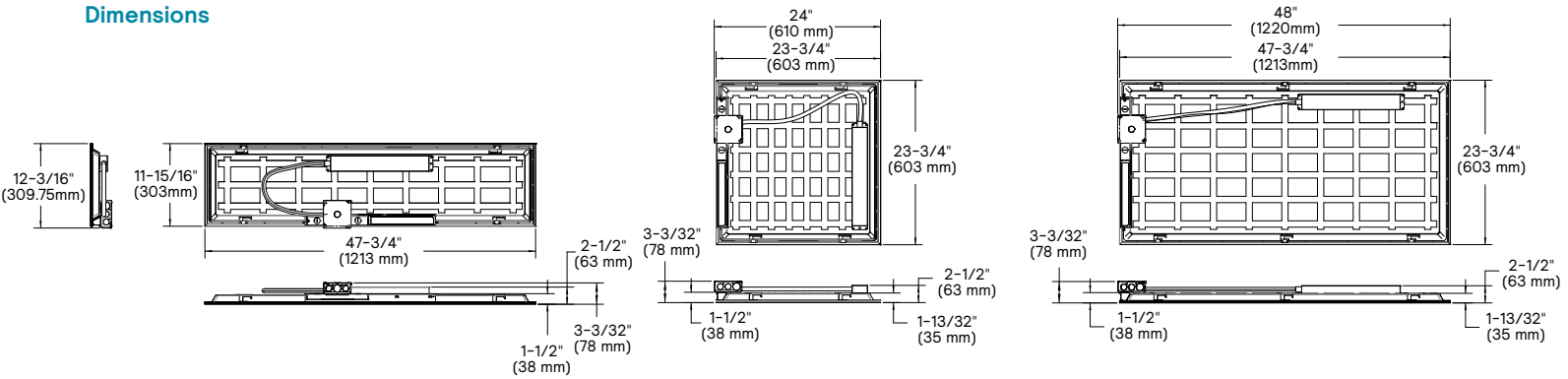
Emergency Operation

- The FPEM operates an LED load of up to 10.4 W at nominal battery voltage for a minimum of 90 minutes.
- Manual testing via the remote indicator light and test switch.
- Indicator test switch and plate mounting compatibility with grid ceiling, drywall, or open ceiling applications

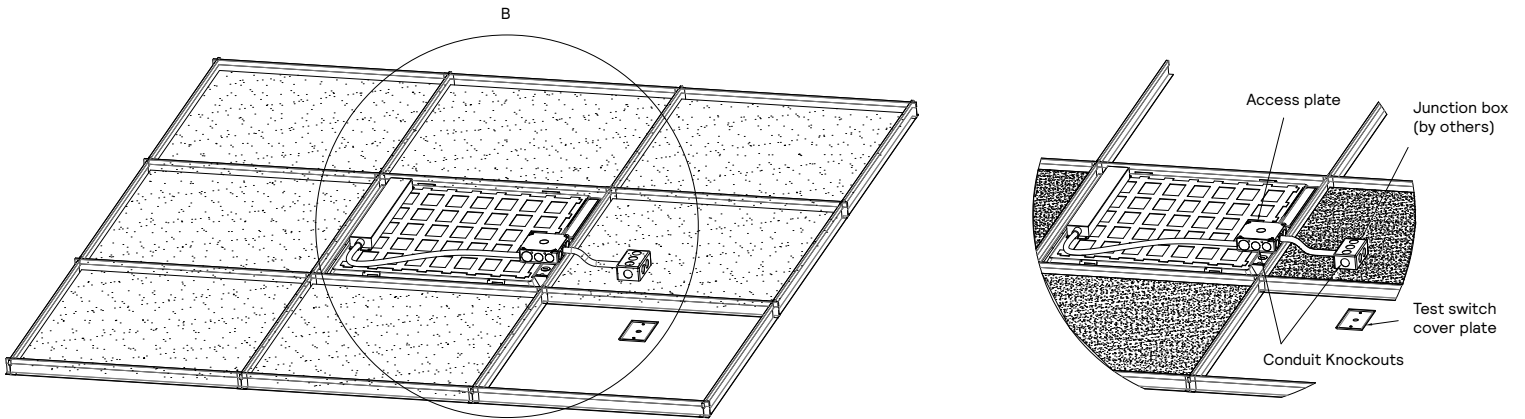
FPEM Field emergency kit

Recessed/Industrial Accessory

Dimensions



Installation



© 2022 Signify Holding. All rights reserved. The information provided herein is subject to change, without notice. Signify does not give any representation or warranty as to the accuracy or completeness of the information included herein and shall not be liable for any action in reliance thereon. The information presented in this document is not intended as any commercial offer and does not form part of any quotation or contract, unless otherwise agreed by Signify.

Signify North America Corporation
400 Crossing Blvd, Suite 600
Bridgewater, NJ 08807
Telephone: 855-486-2216

Signify Canada Ltd.
281 Hillmount Road,
Markham, ON, Canada L6C 2S3
Telephone: 800-668-9008

All trademarks are owned by Signify Holding or their respective owners.