

ALKCO

Special Application

Kleenseal LED
KTR 100

Recessed cleanroom
4,000 to 13,000 lumens



Alkco's Kleenseal KTR 100 LED recessed is a cleanroom luminaire designed and well suited for all healthcare spaces, providing quality light.

Project: _____
 Location: _____
 Cat.No: _____
 Type: _____
 Lamps: _____ Qty: _____
 Notes: _____

Ordering guide

Example: K12490L840G6AP3USSD

Family	Size	Lumens	CRI/CCT	Ceiling Type	Door Frame	Lens Type	Voltage	Options
<input type="text" value="K1"/>					<input type="text" value="6"/>		-	
K1 Kleenseal KTR100	14 1x4	40L 4,000 nominal delivered lumens (1x4, 2x2)	835 3500K (CRI 80)	G 1",1-1/2" Grid T	6 Aluminum 4-piece flush white	AP3 .125" acrylic prismatic Other lenses available	U Universal voltage, 120-277V 1 120V 2 277V	DN Lens furnished prisms down SSD Stainless steel inset door EMLED ¹ 10W batter pack
	22 2x2	60L 6,000 nominal delivered lumens (1x4, 2x2)	840 4000K (CRI 80)	2G 2" Grid T				
	24 2x4	64L 6,400 nominal delivered lumens (2x4)	850 5000K (CRI 80)	F Flange				
		75L 7,500 nominal delivered lumens (2x4)						
		87L 8,700 nominal delivered lumens (2x4)						
		90L 9,000 nominal delivered lumens (2x4)						
		110L 11,000 nominal delivered lumens (2x4)						
	130L 13,000 nominal delivered lumens (2x4)							

General Notes

Many luminaire components, such as reflectors, refractors, lenses, sockets, lampholders, and LEDs are made from various types of plastics which can be adversely affected by airborne contaminants. If sulfur based chemicals, petroleum based products, cleaning solutions, or other contaminants are expected in the intended area of use, consult factory for compatibility.

Predicted L70 Lifetime

25°C ambient >100,000 hours (based upon LED manufacturer's supplied LM-80 data and in-situ laboratory testing).



K1 Kleenseal LED KTR100 recessed

Cleanroom luminaire, 4,000, 6,000, 9,000, 11,000, or 13,000 lumens

Standards

- Certified to meet UL 1598 standards for wet location.

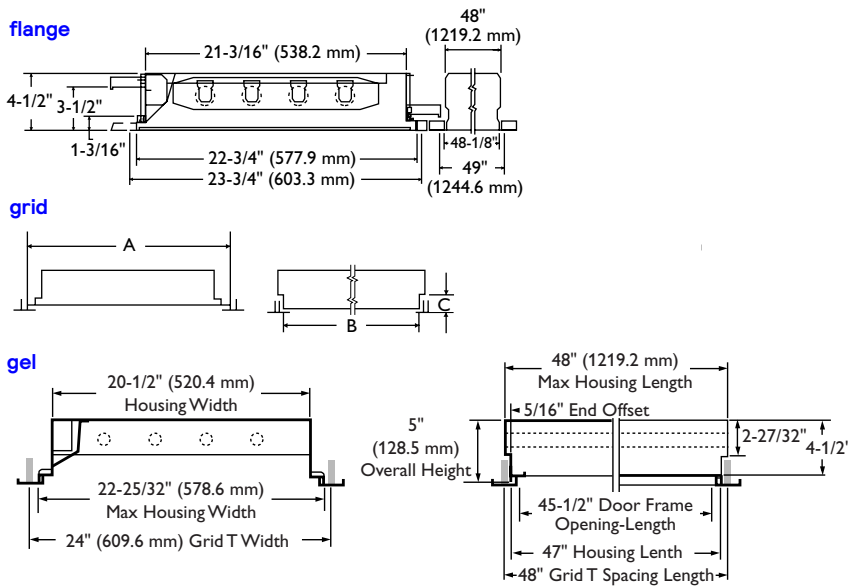
Construction/Finish

- Sealed aluminum housing resists corrosion and is lightweight which speeds installation.
- Fits 1", 1-1/2", 2", and Tall 2" grid or flange mountings.
- Top and end 1/2" conduit K.O.s for easy thru wiring.
- Seismic support mounting is standard.
- Removable sealed wiring access plate.
- Door is secured to housing with captive stainless steel screws.
- Door frame is retained to housing when opened for safety and ease during re-lamping.
- .125" prismatic acrylic lens is silicone sealed to flush aluminum door frame.
- Class 100-100,000 cleanrooms.

Energy Table

Lumens	Watts	Efficiency
40L	43	93 lm/W
68L	68	100 lm/W
75L	77	97 lm/W
87L	85	102 lm/W
90L	86	104 lm/W
110L	105	105 lm/W
130L	125	104 lm/W

Dimensions



Note: For technical information or codes and classifications, see PDFs Tech1-Tech5 online.

Ceiling Opening	Flange Type	Grid Type	A	B	C
1X4	10-3/4" X 48-1/8"	1" or 1-1/2" Grid	23-3/4" (603.3 mm)	47-3/4" (1212.9 mm)	1-11/16"
2X2	22-3/4" X 24-1/8"	2" Grid	23-3/4" (603.3 mm)	47" (1194 mm)	1-11/16"
2X4	22-3/4" x 48-1/8"				

