



Lumec SoleCity family, going beyond decorative functional outdoor lighting to help you create a unique, stunning and harmonious look for any public space.

Project: \_\_\_\_\_  
 Location: \_\_\_\_\_  
 Cat.No: \_\_\_\_\_  
 Type: \_\_\_\_\_  
 Lamps: \_\_\_\_\_ Qty: \_\_\_\_\_  
 Notes: \_\_\_\_\_

### Ordering guide

example: ULB100-35W32LED3K-G2-LEV3-120-DMG-BKTX

Series	Lamp	Board Gen	Optical System	Volts	Driver Options	Luminaire Options	Finish	
ULB100		G2						
ULB100 SoleCity Bollard	<b>3000K</b>	G2	LEV3 <sup>2</sup> Type III (ASYM) LEV5 <sup>3</sup> Type V (SYM)	120 208 240 277 UNV	AST Pre-set driver for progressive start-up CDMGE25 8 hrs. 25% reduction CDMGE50 8 hrs. 50% reduction CDMGE75 8 hrs. 75% reduction CDMGM25 6 hrs. 25% reduction CDMGM50 6 hrs. 50% reduction CDMGM75 6 hrs. 75% reduction CDMGS25 4 hrs. 25% reduction CDMGS50 4 hrs. 50% reduction CDMGS75 4 hrs. 75% reduction CDMGP Dimming level determined by user CLO Pre-set driver to manage lumen depreciation DMG 0-10V OTL Pre-set driver to signal end of life of the lamp	OVR <sup>4</sup> PH7 <sup>5</sup> PWF <sup>1</sup> RWP1 SSP UD VPA CS	<u>Textured</u>	<u>Non-Textured</u>
	<b>4000K</b>						BE2TX Midnight Blue BE6TX Ocean Blue BE8TX Royal Blue BG2TX Sandstone BKTX Black BRTX Bronze GN4TX Blue Green GN6TX Forest Green GN8TX Dark Forest Green GNTX Green GY3TX Medium Grey RD2TX Burgundy RD4TX Scarlet WHTX White	GR Gray Sandtex NP Natural Aluminum TG Hammerstone Gold

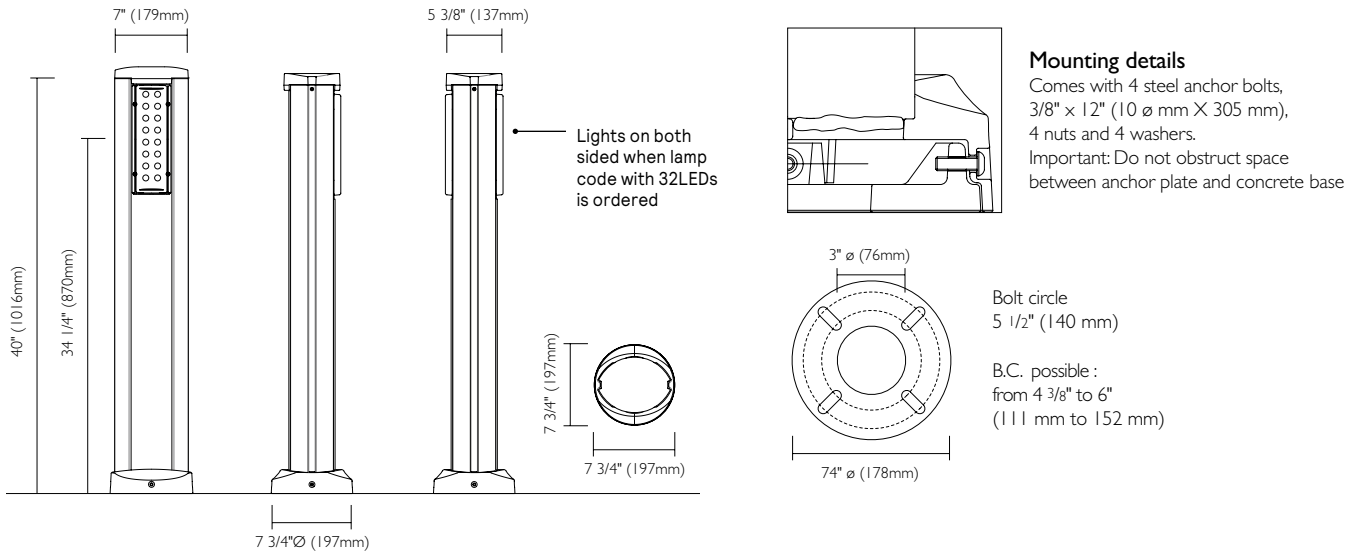
1. AST, CDMG, CLO, DMG and OTL not available with this Lamp.  
 2. LEV3 available with 16LED.  
 3. LEV5 available with 32LED.  
 4. CDMG Dynadimmer need to be selected to have OVR available.  
 5. UNV not available with PH7, need to select specific voltage: 120,208,240 or 277 volt.



# ULB100 Bollard LED SoleCity

## Urban Luminaire

### Dimensions



LED Module	Total LEDs	LED Current (mA)	Average System Watts (W)	LEV3			LEV5		
				Delivered Lumens (LM)	Efficacy (LPW)	BUG rating	Delivered Lumens (LM)	Efficacy (LPW)	BUG rating
<b>Clear Lens - 3000K</b>									
ULB100-18W16LED3K-G2	16	350	20	1750	86	B0-U3-G2	N/A	N/A	N/A
ULB100-30W16LED3K-G2	16	530	29	2510	87	B0-U3-G3	N/A	N/A	N/A
ULB100-35W32LED3K-G2	32	350	37	N/A	N/A	N/A	3466	94	B2-U4-G2
ULB100-55W32LED3K-G2	32	530	55	N/A	N/A	N/A	4971	90	B2-U4-G3
<b>Clear Lens - 4000K</b>									
ULB100-18W16LED4K-G2	16	350	20	2119	104	B0-U3-G2	N/A	N/A	N/A
ULB100-30W16LED4K-G2	16	530	29	3039	105	B0-U4-G3	N/A	N/A	N/A
ULB100-35W32LED4K-G2	32	350	37	N/A	N/A	N/A	4197	114	B2-U4-G2
ULB100-55W32LED4K-G2	32	530	55	N/A	N/A	N/A	6020	109	B2-U5-G3
<b>Satin Clear Lens - 3000K</b>				LEV3-CS			LEV5-CS		
ULB100-18W16LED3K-G2	16	350	20	1418	69	B0-U3-G2	N/A	N/A	N/A
ULB100-30W16LED3K-G2	16	530	29	2034	70	B0-U3-G2	N/A	N/A	N/A
ULB100-35W32LED3K-G2	32	350	37	N/A	N/A	N/A	2838	77	B1-U4-G2
ULB100-55W32LED3K-G2	32	530	55	N/A	N/A	N/A	4071	74	B2-U4-G3
<b>Satin Clear Lens - 4000K</b>				LEV3-CS			LEV5-CS		
ULB100-18W16LED4K-G2	16	350	20	1864	91	B0-U3-G2	N/A	N/A	N/A
ULB100-30W16LED4K-G2	16	530	29	2673	92	B0-U4-G3	N/A	N/A	N/A
ULB100-35W32LED4K-G2	32	350	37	N/A	N/A	N/A	3730	101	B2-U4-G2
ULB100-55W32LED4K-G2	32	530	55	N/A	N/A	N/A	5351	97	B2-U5-G3

Values from photometric tests performed in accordance with IESNA LM-79 and are representative of the configurations shown. Actual performance may vary due to installation and environmental variables, LED and driver tolerances, and field measurement considerations. It is highly recommended to confirm performance with a photometric layout.  
 Note: Some data may be scaled based on tests of similar (but not identical) luminaires. Contact factory for configurations not shown.

# ULB100 Bollard LED SoleCity

## Urban Luminaire

LED Module	Total LEDs	LED Current (mA)	Average System Wattas (W)	LEV3			LEV5		
				Delivered Lumens (LM)	Efficacy (LPW)	BUG rating	Delivered Lumens (LM)	Efficacy (LPW)	BUG rating
Clear Lens with Uplight Deflector - 3000K				LEV3-UD			LEV5-UD		
ULB100-18W16LED3K-G2	16	350	20	963	47	B0-U3-G1	N/A	N/A	N/A
ULB100-30W16LED3K-G2	16	530	29	1381	48	B0-U3-G1	N/A	N/A	N/A
ULB100-35W32LED3K-G2	32	350	37	N/A	N/A	N/A	1900	51	B1-U3-G1
ULB100-55W32LED3K-G2	32	530	55	N/A	N/A	N/A	2725	50	B2-U3-G1
Clear Lens with Uplight Deflector - 4000K				LEV3-UD			LEV5-UD		
ULB100-18W16LED4K-G2	16	350	20	1166	57	B0-U3-G1	N/A	N/A	N/A
ULB100-30W16LED4K-G2	16	530	29	1673	58	B0-U3-G1	N/A	N/A	N/A
ULB100-35W32LED4K-G2	32	350	37	N/A	N/A	N/A	2301	62	B1-U3-G1
ULB100-55W32LED4K-G2	32	530	55	N/A	N/A	N/A	3300	60	B2-U3-G1
Satin Clear Lens with Uplight Deflector - 3000K				LEV3-CS-UD			LEV5-CS-UD		
ULB100-18W16LED3K-G2	16	350	20	692	34	B0-U3-G1	N/A	N/A	N/A
ULB100-30W16LED3K-G2	16	530	29	993	34	B0-U3-G1	N/A	N/A	N/A
ULB100-35W32LED3K-G2	32	350	37	N/A	N/A	N/A	1485	40	B1-U3-G1
ULB100-55W32LED3K-G2	32	530	55	N/A	N/A	N/A	2129	39	B1-U3-G1
Satin Clear Lens with Uplight Deflector - 4000K				LEV3-CS-UD			LEV5-CS-UD		
ULB100-18W16LED4K-G2	16	350	20	911	45	B0-U3-G1	N/A	N/A	N/A
ULB100-30W16LED4K-G2	16	530	29	1306	45	B0-U3-G2	N/A	N/A	N/A
ULB100-35W32LED4K-G2	32	350	37	N/A	N/A	N/A	1951	53	B1-U3-G1
ULB100-55W32LED4K-G2	32	530	55	N/A	N/A	N/A	2799	51	B1-U3-G2

Values from photometric tests performed in accordance with IESNA LM-79 and are representative of the configurations shown. Actual performance may vary due to installation and environmental variables, LED and driver tolerances, and field measurement considerations. It is highly recommended to confirm performance with a photometric layout.

Note: Some data may be scaled based on tests of similar (but not identical) luminaires. Contact factory for configurations not shown.

# ULB100 Bollard LED SoleCity

## Urban Luminaire

### Specifications

#### Housing

Base: Made from a 7 1/8" (181mm) wide by 5 3/8" (137mm) deep elliptical exclusive shape, extruded 6063 T6 aluminum tubing, welded to the base cover.

#### Light engine

LED engine composed of 5 main components: Heat Sink / Lens / LED lamp / Driver / Optical System. Electrical components are RoHS compliant.

#### LED engine

Composed of high-performance white LEDs. Color temperature as per ANSI/NEMA bin Neutral White, 4000 Kelvin nominal (3985K +/- .275K or 3710K to 4260K) or Warm white, 3000 Kelvin nominal (3045K +/- 175K or 2870K to 3220K), CRI 70 Min. 75 Typical.

#### Lens

Lens: Made of clear polycarbonate curved lens, permanently assembled and sealed onto the lower part of the heat sink

Lens: (CS) Made of satin clear polycarbonate curved lens, permanently assembled and sealed onto the lower part of the heat sink.

#### Heat sink

Made of cast aluminum optimizing the LEDs efficiency and life. Product does not use any cooling device with moving parts (only passive cooling device).

#### Optical system

Composed of high performance optical grade PMMA acrylic refractor lenses to achieve desired distribution optimized to get maximum spacing, target lumens and a superior lighting uniformity. Optical system is rated IP66. Performance shall be tested per LM 63, LM 79 and TM 15 (IESNA) certifying its photometric performance. Street side indicated.

LEV3: Type III (ASYM)  
LEV5: Type V (SYM)

#### Driver

Driver comes standard with dimming compatible 0-10V. High power factor of 90% minimum. Electronic driver, operating range 50/60 Hz. Auto adjusting universal voltage input from 120 to 277 VAC rated for both application line to line or line to neutral, Class I, THD of 20% max. Maximum ambient operating temperature from 40°F (40°C) to 130°F (55°C). Certified in compliance to UL1310 cULus requirement. Dry and damp location. Assembled on a unitized removable tray with Tyco quick disconnect plug resisting to 221°F (105°C). The current supplying the LEDs will be reduced by the driver if the driver experiences internal overheating as a protection to the LEDs and the electrical components. Output is protected from short circuits, voltage overload and current overload. Automatic recovery after correction. Standard built in driver surge protection of 2.5kV (min).

#### Surge protector

Surge protector tested in accordance with ANSI/IEEE C62.45 per ANSI/IEEE C62.41.2 Scenario I Category C High Exposure 10kV/10kA waveforms for Line Ground, Line Neutral and Neutral Ground, and in accordance with U.S. DOE (Department of Energy) MSSLC (Municipal Solid State Street Lighting Consortium) model specification for LED roadway luminaires electrical immunity requirements for High Test Level 10kV / 10kA.

#### Driver options

AST: Pre-set driver for progressive start-up of the LED module(s) to optimize energy management and enhance visual comfort at start-up.

CLO: Pre-set driver to manage the lumen depreciation by adjusting the power given to the LEDs offering the same lighting intensity during the entire lifespan of the LED module.

OTL: Pre-set driver to signal end of life of the LED module(s) for better fixture management.  
DMG: Dimmable driver 0-10V.

CDMG: Dynadimmer standard dimming functionalities including pre-programmed scenarios to suit many applications and needs from safety to maximum energy savings.

\* Contact factory for DALI options.

Ordering Code	Dimming		
	Scenario	Time	Level
CDMGS25	Safety	4 hours	25% power
CDMGS50	Safety	4 hours	50% power
CDMGS75	Safety	4 hours	75% power
CDMGM25	Median	6 hours	25% power
CDMGM50	Median	6 hours	50% power
CDMGM75	Median	6 hours	75% power
CDMGE25	Economy	8 hours	25% power
CDMGE50	Economy	8 hours	50% power
CDMGE75	Economy	8 hours	75% power

#### ULM Luminaire Options

CS: Clear Satin Lens

OVR: Dynadimmer override function offering the possibility to go back to full power at any time via an electrical signal of 120VAC to 277VAC from a motion sensor, a switch, a relay or else.

PH7: Photoelectric cell

PWFP1: Painted Wood Finish Panel

RWP1: Real Wood Panel Ipe Type

SSP: Stainless Steel Panel

UD: Uplight Deflector

VPA: Vandal proof screws

#### Finish

In accordance with the AAMA 2603 standard. Application of polyester powder coat paint (4 mils/100 microns) with +/- 1 mils/24 microns of tolerance. The Thermosetting resins provides a discoloration resistant finish in accordance with the ASTM D2244 standard, as well as luster retention in keeping with the ASTM D523 standard and humidity proof in accordance with the ASTM D2247 standard. The surface treatment achieves a minimum of 2000 hours for salt spray resistant finish in accordance with testing performed and per ASTM B117 standard.

Textured Finish Options:

BE2TX: Midnight Blue  
BE6TX: Ocean Blue  
BE8TX: Royal Blue  
BG2TX: Sandstone  
BKTX: Black  
BRTX: Bronze  
GN4TX: Blue Green  
GN6TX: Forest Green  
GN8TX: Dark Forest Green  
GNTX: Green  
GY3TX: Medium Grey  
RD2TX: Burgundy  
RD4TX: Scarlet  
WHTX: White

Non-Textured Finish Options:

GR: Gray Sandtex  
NP: Natural Aluminum  
TG: Hammer-tone Gold

#### Luminaire useful life

Refer to IES files for energy consumption and delivered lumens for each option. Based on ISTMT in situ thermal testing in accordance with UL1598 and UL8750, using LM-80 data from LED manufacturers and engineering prediction methods, the luminaire useful life is expected to reach 100,000+ hours with >L70 lumen maintenance @ 25°C. Luminaire Useful Life accounts for LED lumen maintenance AND all of these additional factors including: LED life, driver life, PCB substrate, solder joints, on/off cycles, burning hours and corrosion. Entire luminaire is rated for operation in ambient temperature of -40°C / -40°F up to +35°C / +95°F.

# ULB100 Bollard LED SoleCity

## Urban Luminaire

### Specifications (continued)

#### Hardware

All exposed screws shall be complete with Ceramic primer-seal base coat to reduce seizing of the parts and offers a high resistance to corrosion. All seals and sealing devices are made and/or lined with EPDM and/or silicone and/or rubber.

#### Quality control

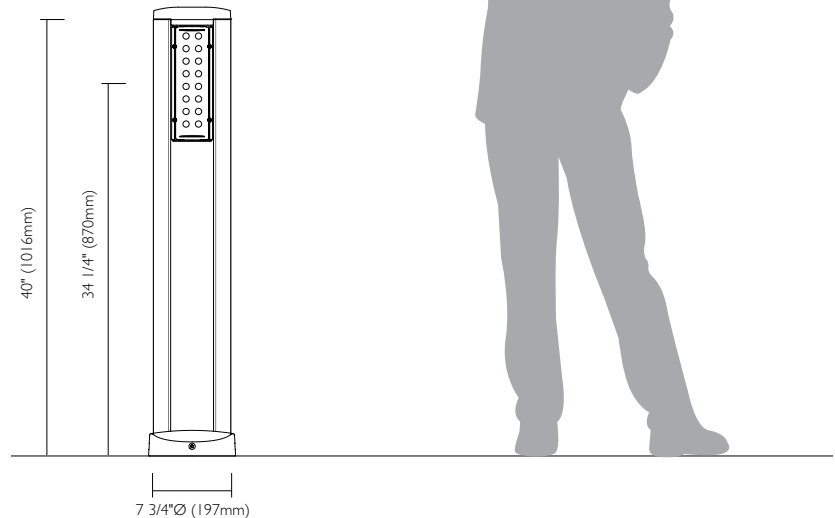
Manufactured to ISO 9001 2008 standards and ISO 14001-2004 International Quality Standards Certification.

#### LED products (manufacturing standard)

The electronic components sensitive to electrostatic discharge (ESD) such as light emitting diodes (LEDs) are assembled in compliance with IEC61340 5 1 and ANSI/ ESD S20.20 standards so as to eliminate ESD events that could decrease the useful life of the product.

#### Certifications and Compliance

CSA, cULus Listed for Canada and USA. Luminaires are DesignLights Consortium qualified



### LED Performance

Predicted lumen depreciation data <sup>1</sup>				
Ambient Temperature (°C)	Driver mA	Calculated L <sub>70</sub> hours <sup>1,2</sup>	L <sub>70</sub> per TM-21 <sup>2,3</sup>	Lumen Maintenance % @ 60,000 hours
25°C	530 mA	>100,000	>60,000	88%

1. Predicted performance derived from LED manufacturer's data and engineering design estimates, based on IESNA LM-80 methodology. Actual experience may vary due to field application conditions.
2. L<sub>70</sub> is the predicted time when LED performance depreciates to 70% of initial lumen output.
3. Calculated per IESNA TM21-11. Published L<sub>70</sub> hours limited to 6 times actual LED test hours.

### Related Families



SoleCity Light Column (ULLCI00)



SoleCity Mid-Pole Light (ULRI00)



SoleCity Street and Area Medium (ULMI00)



SoleCity Street and Area Small (ULSI00)

