



Alkco SurgiCare LED Downlight is sealed for use in surgical environments. Optional IP66, NSF, and MIL-STD-461G compliances allow the versatility needed to meet the varied and specific needs of each surgical suite. Available with lumen outputs up to 7,000 lumens.

Project: _____
 Location: _____
 Cat.No: _____
 Type: _____
 Lamps: _____ Qty: _____
 Notes: _____

Frame

Example: SCD6FUNV35DIM1/MIL

Series	Voltage	Lumens	Driver	Options	Accessories
SCD6F	UNV				
SCD6F SurgiCare 6" Downlight Frame	UNV 120' ¹ 277'	10L 1000lm 15L 1500lm 20L 2000lm 25L 2500lm 30L 3000lm 35L 3500lm 40L 4000lm 45L 4500lm 50L 5000lm 55L 5500lm 60L 6000lm 65L 6500lm 70L 7000lm	DIM1 1% Dimming DIMO 0% Dimming	EM Emergency module with remote test switch IEM Emergency module with integrated test switch ² ETD Emergency Transfer Device MIL MIL-STD-461G compliant ¹	HB2 2ft hanger bars (pair, 26" length) HB4 4ft hanger bars (pair, 50" length) HBW wood joist hanger bar (pair, 22" length)

Engine

Example: SCD6L3040/90/40

Series	Lumens	CRI	CCT
SCD6L			
SCD6L SurgiCare 6" Downlight LED Engine	1025L 1000, 1500, 2000, and 2500 lumens 3040L 3000, 3500, and 4000 lumens 4560L 4500, 5000, and 6000 lumens 6570L 6500 and 7000 lumens	90 90CRI	30 3000 35 3500 40 4000 50 5000

Trim

Example: SCD6TMCL/125CAR/IP66

Series	Distribution	Reflector Finish	Lens	Options
SCD6T	M			
SCD6T SurgiCare 6" Downlight Frame	M Medium	CL specular Clear SCL Semi-Specular Clear AMW Antimicrobial Matte White GW Gloss White	125CA 0.125" clear Acrylic 125CAR 0.125" clear acrylic with RFI grid ¹ 125P12AR 0.125" pattern 12 prismatic acrylic with RFI grid ¹	EMTS Emergency Test Switch Hole ² IP66 IP66 rated NSF NSF Non-Food, Splash Zone Rated

Footnotes

- MIL option requires 125CAR or 125P 12AR bottom lens to be selected to maintain compliance
- IEM option requires EMTS option on Trim to be selected



SCD6 SurgiCare 6" LED Downlight

Surgical suite luminaire

Features

- **Construction:** Housing Frame constructed of cast aluminum with mounting for drivers and electronics. Reflector constructed of spun aluminum. Trim Ring constructed of spun aluminum held in place with 4 countersunk screws

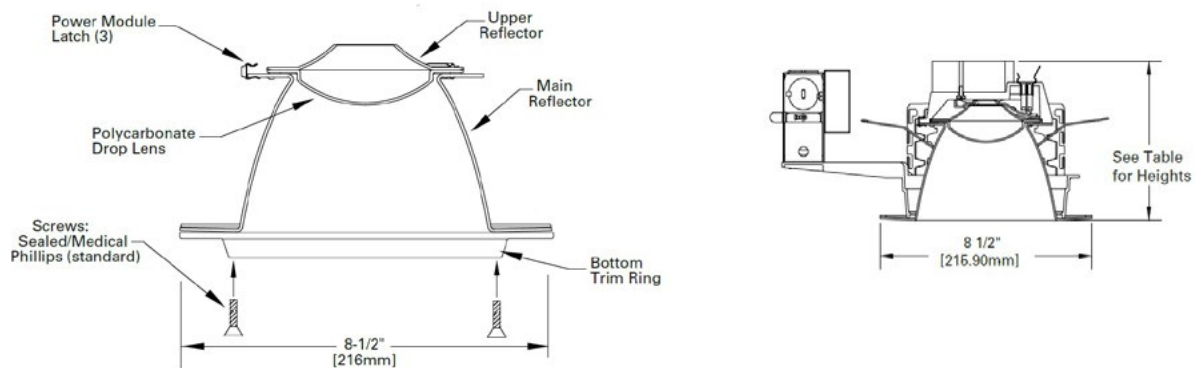
Specifications

- **Lenses:** Diffuse opal lens constructed of 0.060" polycarbonate. Choice of 0.125" clear or pattern 12 acrylic bottom lens with optional RFI grid (RFI grid required for MIL-STD-461G compliance)
- **LEDs:** Solid State 90CRI LEDs provide high efficacy illumination in a variety of CCTs. Lumen maintenance of L90/55 means lumen output shall not exceed 10% reduction over minimum life of 55,000 hours

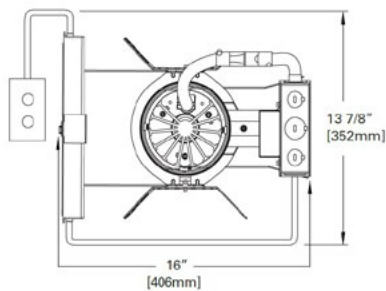
Compliance and Warranty

- cULus Wet Location rated.
- Optional NSF, IP66, and MIL-STD-461G compliance.
- 5 year limited warranty.

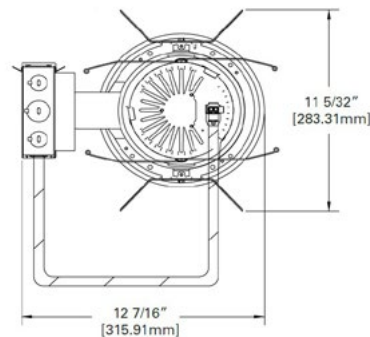
Dimensions



With battery



Without battery



Buy American Act of 1933 (BAA):

This product is manufactured in one of our US factories and, as of the date of this document, this product was considered a commercially available off-the-shelf (COTS) item meeting the requirements of the BAA. This BAA designation hereunder does not address (i) the applicability of, or availability of a waiver under, the Trade Agreements Act, or (ii) the "Buy America" domestic content requirements imposed on states, localities, and other non-federal entities as a condition of receiving funds administered by the Department of Transportation or other federal agencies. Prior to ordering, please visit www.signify.com/baa to view a current list of BAA-compliant products to confirm this product's current compliance.



© 2021 Signify Holding. All rights reserved. The information provided herein is subject to change, without notice. Signify does not give any representation or warranty as to the accuracy or completeness of the information included herein and shall not be liable for any action in reliance thereon. The information presented in this document is not intended as any commercial offer and does not form part of any quotation or contract, unless otherwise agreed by Signify.

Signify North America Corporation
400 Crossing Blvd, Suite 600
Bridgewater, NJ 08807
Telephone 800-555-0050

Signify Canada Ltd.
281 Hillmount Road,
Markham, ON, Canada L6C 2S3
Telephone 800-668-9008

All trademarks are owned by Signify Holding or their respective owners.