

CHLORIDE

by  Signify

Exit/Emergency

Synthesis CHT series

Single Phase Uninterruptible Power Supply, 2.2KVA



Project: _____
 Location: _____
 Cat.No: _____
 Type: _____
 Lamps: _____ Qty: _____
 Notes: _____

Example: CHTAA2.2S0

CHT		2.2									
Series	Input Voltage	Output Voltage	Unit Size	Battery Time	Nol	Qty Ckt Breakers	Breakers On 2nd Voltage	Qty Nol Ckt Breakers	Nol Voltage	Qty Nol 2nd Voltage	
CHT - Chloride	A - 120 V	A - 120 V	2.2 - 2.2 kVA	S - 90 min	0 - None	00X - Hardwire	00 - 2nd Voltage	A - 1	1 - First	A - 1	
Synthesis CHT	J - 277 V	J - 277 V		X - 10 min	1 - Yes	01X - 1 OCB	Hardwire or No	B - 2	2 - Second	B - 2	
UPS System for		Y - 120/277 V		Y - 20 min	T - NOL	02X - 2 OCB	2nd Voltage	C - 3	3 - Both	C - 3	
Emergency					w/	03X - 3 OCB		D - 4	0 - No NOL	D - 4	
Lighting					TDT	04X - 4 OCB	01	E - 5		E - 5	
Applications						.	02	F - 6		F - 6	
						.	03	G - 7		G - 7	
						.	.	H - 8		H - 8	
						20X - 20 OCB	.	I - 9		I - 9	
						.	.	J - 10		J - 10	
						01A - 1 OCBA	19	K - 11		K - 11	
						02A - 2 OCBA		L - 12		L - 12	
						03A - 3 OCBA		M - 13		M - 13	
						.		N - 14		N - 14	
						.		O - 15		O - 15	
						010A - 10 OCBA		P - 16		P - 16	
						(maximum pole		Q - 17		Q - 17	
						spaces 20)		R - 18		R - 18	
								S - 19		S - 19	
								T - 20		T - 20	
								Z - None		Z - No NOL	

Footnote

¹ Optimum operating temperature of batteries is 77°F (25°C).
 Temperatures above 85°F (30°C) adversely impact battery life.

unit check list

Catalog No: _____

VA Rating: 2200

Battery Type: Sealed Lead Calcium

Operating Time: 90/20/10 Min.

Utility Input: _____ VAC, Single Phase

Output Circuit Breakers:

Qty: _____	AC Volts: _____	Amps: _____	Normally ON <input type="checkbox"/>	Normally OFF <input type="checkbox"/>	Trip Alarm YES <input type="checkbox"/>	NO <input type="checkbox"/>
Qty: _____	AC Volts: _____	Amps: _____	ON <input type="checkbox"/>	OFF <input type="checkbox"/>	YES <input type="checkbox"/>	NO <input type="checkbox"/>
Qty: _____	AC Volts: _____	Amps: _____	ON <input type="checkbox"/>	OFF <input type="checkbox"/>	YES <input type="checkbox"/>	NO <input type="checkbox"/>
Qty: _____	AC Volts: _____	Amps: _____	ON <input type="checkbox"/>	OFF <input type="checkbox"/>	YES <input type="checkbox"/>	NO <input type="checkbox"/>

Remarks: _____



CHT Synthesis Single Phase Uninterruptible Power Supply

2.2 KVA

codes and standards

- UL 924 listed

construction

- Free standing, NEMA 1 enclosure with lockable control access panel.
- Double conversion, no interruption.
- Solid state pulse width modulated inverter.
- Internal, make before break maintenance by-pass.
- Standard, UL 924 compliant, 90 minute battery back up.
- UL 924 auxiliary equipment 10 and 20 minute back up available.
- Microprocessor control and diagnostic system.
- LED array system status panel.
- Fault annunciating audible alarm.
- Current limiting start sequence.
- Optional output circuit breakers (OCB) and circuit breakers with trip alarm (OCBA).
- Optional normally off load (NOL) energizes only during power outage, normally off load with time delay (TDT) also available.
- Seismic anchoring compatible.
- 90% throughput efficiency, 85% emergency efficiency.
- Operating temperature range 32°F (0°C) to 104°F (40°C)1.
- Fault current rating 42 kAIC.
- Audible noise less than 50 dB at 3 ft on "A" weighted scale.
- Automatic low battery voltage disconnect.

application

- The solid state pulse width modulated (PWM) inverter offers enhanced load compatibility.
- It operates incandescent, magnetic and electronic ballast fluorescent, high power factor compact fluorescent and high intensity discharge (HID) luminaries.
- Provides conditioned, uninterruptible power for other types of critical loads.
- Consult factory for non-lighting load applications.

electronics - input

- Input power factor correcting to 0.99.
- Frequency range 60 Hz, ± 2.5 Hz.
- Input harmonic current distortion < 5% THD.
- UL1449, ANSI/IEEE C62.41 surge suppression.

electronics - output

- Sine wave output.
- Voltage regulation $\pm 2\%$.
- Frequency regulation - synchronized to utility, free running 60 Hz, $\pm 0.5\%$.
- Output voltage distortion maximum 3% THD with linear load.
- Load power factor capability 0.7 lead to 0.7 lag.
- Overload capability 125% for 10 seconds.

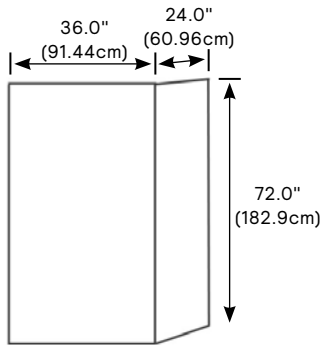
warranty

- Standard warranty: (requires execution of factory start-up within 120 days of shipment) Chloride will provide parts and on-site labor for the first 12 months following start-up of the product, and parts only for an additional 12 months. If factory start-up is not executed within 120 days of shipment, Chloride will provide a parts warranty for 12 months from the date of shipment.
- Extended warranty available: consult factory for extended warranty and service option.

CHT Synthesis Single Phase Uninterruptible Power Supply

2.2 KVA

dimensions



system input/output

System Rating (kW/kVA)	2.2
Input Volt. (V) : Input Curr. (A)	120 : 26.7 120/240 : N/A 277 : 11.9 120/208 : N/A
Output Volt. : Output Current*	120 : 18.3 120/240 : N/A 277 : 7.9 120/208 : N/A 120/277 : 18.3/7.9
OCB Pole Spaces Available	
Without Trip Alarm	20
With Trip Alarm	10
Heat Rejection (btu/hr)	1050
Weight (lbs)	
Electronics	650
90 Min Battery	445
20 Min Battery	195
10 Min Battery	90

* Multi-voltage total loads not to exceed system rating.

system one-line diagram

