

Project: _____

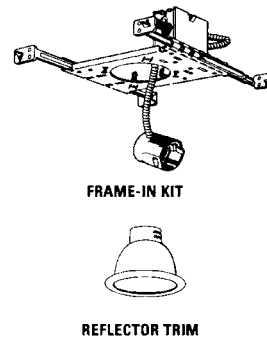
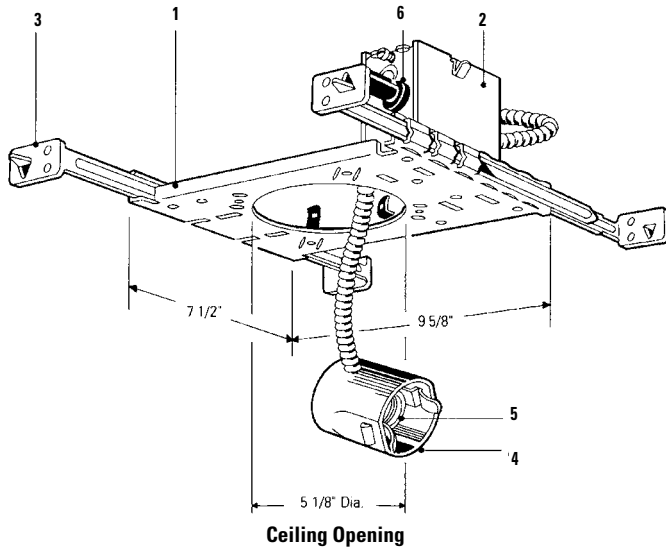
Location: _____

Cat.No: _____

Type: _____

Lamps: _____ Qty: _____

Notes: _____



Complete Fixture consists of Reflector Trim & Frame-In Kit. Select each separately.

1002P1	Frame-In Kit Reflector Trims — See Individual Reflector Trim Specification Sheets										
	Open Downlight						Recessed		Enclosed Diffusers	Wall Washer	Open Wet Location
Reflector	Cone	Satin Cone	Baffles	Basic White	Pinhole	Adjustable	Eyeball				
1045	1012	1008	1005	1071	1011	1027	1082	1024	1035	1084CD	
1046	1012NM	1008NM	1005WH			1027BK	1022	1078	1035WH	1084WH	
1046CD	1013	1010	1005NM			1027WH	1022WH	1090	1085		
	1013NM	1010NM	1005BNM			1027CD		1021	1095		
	1013BK		1076			1027NM			1096		
	1013BKNM		1076WH			1027BNM			1096CD		
	1013CD					1027BKNM					
	1013CDNM					1027CDNM					
						1038					
						1038NM					
						1048					
						1048NM					

Features

- Mounting Frame:** .036" (#20 ga.) galvanized steel. Accommodates all ceilings up to 1" thick. Four slots are positioned 90° apart to simplify alignment. Push-in/twist-out rotoclips hold reflector flush to ceiling.
- Junction Box:** 4" x 3 1/2" x 2"; .063" (#14 ga.) galvanized steel. U.L. listed for maximum of 8 No. 12 ga. 75° C through branch circuit conductors (60° C end of run). Integral cable clamps permit attachment of nonmetallic Romex® or armored cable without need of additional connectors.

- Mounting Bars:** .059" (#16 ga.) galvanized steel. 13" long bars extend to 27" with integral nailing tabs. Attaches to wood joist without need of accessories.
- Socket Housing:** Impact extruded aluminum or galvanized steel.
- Socket:** Porcelain medium base; nickel plated screw shell. Pre-wired with #18 ga. SF1 leads to junction box.
- Thermal Protector:** Meets NEC and UL requirements. Insulation must be kept 3" away from fixture sides and wiring compartments and must not be placed above fixture in a manner which will entrap heat.

1002P1 Lytecaster INC 5"

Standard Non-IC Frame

Options & Accessories

Mounting Bars:	1964 - 20" set of (2)
T-Bar Anchor Clips:	1956 - set of (4)
Plaster Ceiling Ring:	1960 - 7/8" depth for wet plaster ceilings.
Extra-Thick Ceiling Mounting Ring:	1967B - up to 2" thick ceilings.
277V Remote Step-Down Transformer:	7997 - 277V down to 120V 300W max. load.
Remodeler Anchor Clip:	1985N
Conversion Kit	1910CKU - Reference conversion kit specification sheet for trim and lamp options.

Labels

UL (Suitable for Damp Locations), I.B.E.W.;

Romex® is a registered trademark of General Cable Industries Inc.

