

CHLORIDE

by  Signify

Exit/Emergency

44R series

LED edge-lit exit sign



Project: _____

Location: _____

Cat.No: _____

Type: _____

Lamps: _____ Qty: _____

Notes: _____

Universal Mount example: ER44RLDU2R

Family	Mounting	Operation	# of Faces	Housing Finish	Letters	Background
44RLU1R	Universal	AC Only	Single	Satin Aluminum	Red	Clear
44RLU2R	Universal	AC Only	Double	Satin Aluminum	Red	Mirror
44RLU1RM	Universal	AC Only	Single	Satin Aluminum	Red	Mirror
44RLU1WR	Universal	AC Only	Single	White	Red	Clear
44RLU2WR	Universal	AC Only	Double	White	Red	Mirror
44RLU1G	Universal	AC Only	Single	Satin Aluminum	Green	Clear
44RLU2G	Universal	AC Only	Double	Satin Aluminum	Green	Mirror
44RLU1GM	Universal	AC Only	Single	Satin Aluminum	Green	Mirror
ER44RLDU1R	Universal	EM w/battery ¹	Single	Satin Aluminum	Red	Clear
ER44RLDU2R	Universal	EM w/battery ¹	Double	Satin Aluminum	Red	Mirror
ER44RLDU1RM	Universal	EM w/battery ¹	Single	Satin Aluminum	Red	Mirror
ER44RLDU1WR	Universal	EM w/battery ¹	Single	White	Red	Clear
ER44RLDU2WR	Universal	EM w/battery ¹	Double	White	Red	Mirror
ER44RLDU1G	Universal	EM w/battery ¹	Single	Satin Aluminum	Green	Clear
ER44RLDU2G	Universal	EM w/battery ¹	Double	Satin Aluminum	Green	Mirror
ER44RLDU1GM	Universal	EM w/battery ¹	Single	Satin Aluminum	Green	Mirror
ER44RLDU1WG	Universal	EM w/battery ¹	Single	White	Green	Clear
ER44RLDU2WG	Universal	EM w/battery ¹	Double	White	Green	Mirror
44RL1R	Surface	AC Only	Single	Satin Aluminum	Red	Clear
44RL2R	Surface	AC Only	Double	Satin Aluminum	Red	Mirror
ER44RL1R	Surface	EM w/battery	Single	Satin Aluminum	Red	Clear
ER44RL2R	Surface	EM w/battery	Double	Satin Aluminum	Red	Mirror

Note:

For (8" Letters) New York City edge-lit exit signs, refer to specification sheet number CN-26200.

Footnotes:

¹EM units are standard with Self-Diagnostics/Self-Test feature.

44R LED edge-lit exit sign

codes and standards

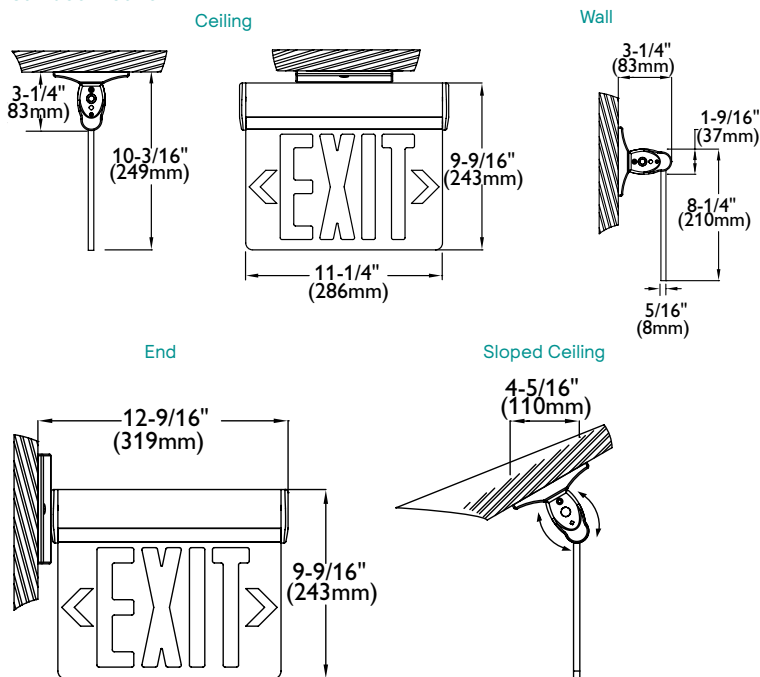
- UL Listed to UL 924 Standard
- NFPA 101 (Life Safety Code)
- NFPA 70 (National Electric Code)
- California Energy Commission
- UL listed for damp location

construction

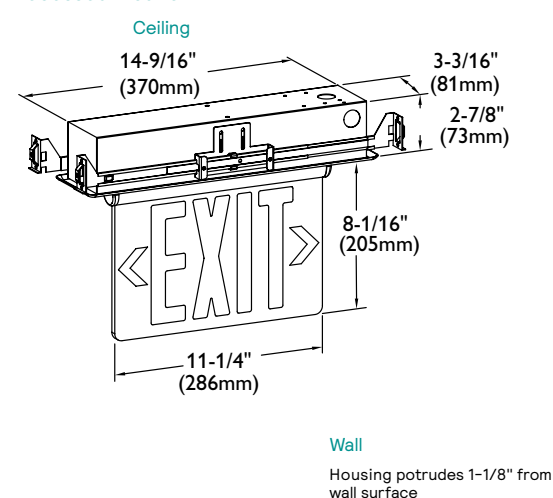
- Surface mount exits are durable extruded aluminum construction with easy to install canopy.
- Universal mount exits have extruded aluminum housing and trim plate.
- Adjustable bar hangers adapt housing for mounting in suspended ceiling.
- Surface mount exits are only available with satin aluminum finish.
- Universal mount exits are available in satin aluminum and white.
- If a surface mount exit with white finish is required, a universal mount exit with white finish must be ordered.
- Exit panel may be rotated 90° to simplify wall, ceiling or sloped ceiling applications, and can be locked into place.
- Single face exits have a clear background and double face exits are provided with a mirror background.
- Signage contains 6" letter height with 3/4" stroke.
- The panel is clear acrylic.
- Chevrons may be applied in the field by simply placing chevron in the cut out area of template already attached to panel.
- Remove template after chevron is attached.

dimensions

Surface Mount



Recessed Mount



The information presented in this document is not intended as any commercial offer and does not form part of any quotation or contract.



installation

- 44RL and ER44RL are surface mount only exit signs. They can be wall, end or ceiling mounted. 44RLU and ER44RLDU signs are universal mount. They can be recessed mounted (wall or ceiling) or surface mounted (wall, ceiling, or end).

electronics

- Dual voltage 120/277 VAC input with surge protection. Emergency models provide solid-state charging system with low voltage disconnect, AC lockout and brownout features.
- All ER44RLDU exits feature a self-diagnostic/self-test circuitry, which will indicate a warning when any of the key components (battery, lamps, charger board, and transformer) malfunctions and needs replacing.
- The SD/ST circuitry performs an automatic test: 1 minute every month, 30 minutes every 6th month of the year, and a 90 minute test on the 12th month of the year. A manual test can be activated at any time by simply pushing the test button.

battery

- Emergency models utilize a self contained, maintenance free nicad battery that will provide a minimum of 90 minutes of illumination. Operating temperature range of 10°C to 40°C (50°F to 104°F).
- Consumes 3 Watts at 120V.

warranty

- Three full year warranty on electronics and unit.