

Day-Brite



by Signify

Linear

FluxStream wraparound

FSW 2', 4' & 8'



Day-Brite / CFI FluxStream LED wraparound is a high performing luminaire delivering smooth diffuse light ideal for light industrial, commercial and residential applications with unparalleled energy efficiency.

Project: _____
 Location: _____
 Cat.No: _____
 Type: _____
 Lumens: _____ Qty: _____
 Notes: _____

Ordering guide

Example: FSW440L840-UNV-DIM

Series	Length (nominal)	Lumens ² (nominal)	Color temp. (K)	Voltage	Driver	Options
FSW						
FSW FluxStream Wraparound	2' 2' length	20L 2000 lumens 30L 3000 lumens	830 80 CRI, 3000K 835 80 CRI, 3500K	UNV Universal voltage 120-277V 120 ³ 120V 277 ³ 277V 347 ⁴ 347V	DIM ¹¹ Dimming SDIM ^{5,6} Step dimming to 40% input power XDIM ^{3,5,6} MarkX phase dimming DALI ⁷ DALI	EMLED ^{4,8,9} Factory wired Bodine BSL310LP integral emergency pack. Nominal 1100lm ER100 ^{5,12,13} UL924 listed sensor bypass relay, factory installed between driver & sensor (PS/PI compatible) ER100/HVPS ^{5,12,13} UL924 listed sensor bypass relay, factory installed between driver & sensor for 347/480 Power Sense ER100/HVPI ^{5,12,13} UL924 listed sensor bypass relay, factory installed between driver & sensor 347/480 Power Interrupt GTD/E ¹² UL924 listed Bodine GTD factory installed on driver input GTD/SNSR ^{12,13} UL924 listed Bodine GTD factory installed between driver & sensor SWZCS ^{10,14} Interact Pro scalable sensor with integral daylight & occupancy sensing, advanced grouping with dwell time SWZDT ¹⁰ SpaceWise only sensor, daylighting and occupancy, advanced grouping, with dwell time RADIO ¹⁰ Integral Interact Pro RF sensor, enables wireless connected lighting control IAOSB ^{10,14} Interact Pro wireless sensor with occupancy, daylight, and environmental sensing capabilities LSXR10 120-347V motion sensor, factory installed on end cap LSXR10ADC ¹⁰ 120-347V motion sensor with photocell and hi/lo trim dimming, factory installed on end cap PCSR Pull chain switch right, 120V only PCSL Pull chain switch left, 120V only PAF Paint after fabrication for extra corrosion resistance (white) BAC ¹⁵ Meets the requirements of the Buy American Act of 1933 (BAA)
	4' 4' length	30L 3000 lumens 40L 4000 lumens 55L 5500 lumens 70L 7000 lumens	840 80 CRI, 4000K 850 80 CRI, 5000K			
	8' 8' length	60L 6000 lumens 80L 8000 lumens 110L 11000 lumens 140L 14000 lumens				

Other lumen packages may be ordered in increments of 500lm from 3000 to 7000 lumens for 4' unit and increments of 1000lm from 6000 to 14000 lumens for 8' unit.

- 1 8' is tandem (2) 4' lenses with single piece 8' body.
- 2 Nominal delivered lumens at 25°C ambient.
- 3 XDIM option only available with 120V.
- 4 347V with EMLED only available in 8' models.
- 5 Not available in 2' models.
- 6 Not available in 4' 70L or 8' 140L models.
- 7 DALI available up to 80L options only, consult factory for other options.
- 8 EMLED not available on 2' models.
- 9 EMLED on 8' models illuminates 4' section in emergency mode.
- 10 Available with DIM driver option only.
- 11 Integral controls options dimmable to 5% via wireless wall switch (see p.2). Non-integral controls configurations are 0-10V dimmable to 1%.
- 12 Must be installed in conjunction with a UL1008 device.
- 13 Only ordered with an Interact integral sensing option.
- 14 Must order IRT9015 Interact commissioning remote with each system order.
- 15 Failure to properly select the "BAC" suffix could result in you receiving product that is not BAA compliant product with no recourse for an RMA or refund. This BAC designation hereunder does not address (i) the applicability of, or availability of a waiver under, the Trade Agreements Act, or (ii) the "Buy America" domestic content requirements imposed on states, localities, and other non-federal entities as a condition of receiving funds administered by the Department of Transportation or other federal agencies.
- 16 Consult Signify to confirm whether specific accessories are BAA-compliant.

General notes

Many luminaire components, such as reflectors, refractors, lenses, sockets, lampholders, and LEDs are made from various types of plastics which can be adversely affected by airborne contaminants. If sulfur based chemicals, petroleum based products, cleaning solutions, or other contaminants are expected in the intended area of use, consult factory for compatibility.

Accessories¹⁶ (order separately)

- FSWD2L – Diffuse 2' replacement lens
 - FSWD4L – Diffuse 4' replacement lens (order two for 8' models)
 - LSXR10 – Low bay PIR occ sensor, 120-277V
 - LSXR10ADC – Low bay PIR occ with photocell sensor and hi/lo trim dimming, 120-277V
 - FSTH – Sliding hanger bracket (set of 2)
 - FSWJ – Continuous row joiner (one per joint)
- See last page for details and more options.

SWZCS accessories¹⁶ (order separately)

- IRT9015 – handheld remote for grouping and configuration (at least one remote required for any SWZCS installation).



FSW FluxStream LED wraparound

2', 4' and 8'

Features

- Compact design for installation in tight spaces
- Frosted acrylic diffuser provides wide light distribution and superior glare control
- Injection molded lens retainers⁵ provide positive diffuser retention, and easy tool-free access to LED boards and driver
- 2', 4' and 8' tandem lengths available to accommodate many field applications
- Up to 100,000 hour predicted L70 LED lumen maintenance provides long service life to reduce maintenance costs
- Can be surface mounted on ceilings or walls, or suspended via chain, pendants or cables
- Wall mountable – ADA compliant
- Ideal for cold applications (-20°C to 25°C)
- FSWJ accessory required for continuous row mounting, one FSWJ at each joint
- 7/8" knock out provided at each end and on base of luminaire. Note: Center knockout is covered and not useable in 4' version with EMLED option.
- Multiple driver options available with 0-10v as standard
- Enclosed lens minimizes penetration of dust, insects, and other debris into the lamp compartment
- 8' tandem unit is two 4' optical assemblies with an aesthetic center mullion on a single full length chassis

- Integral controls options include sensor mounted in one lens retainer.
- Fluxstream luminaires are Designlights Consortium® qualified. Please see the DLC QPL list for exact catalog numbers www.designlights.org/QPL
- 5 year manufacturer's limited warranty. Visit signify.com/warranties for complete warranty information

Finish

- Baked white acrylic matte high reflectance paint finish
- PAF option gives extra corrosion resistance for canopy or humid applications.

Shielding

- Contoured frosted acrylic lens

Electrical

- LED boards and drivers are RoHS (Restriction of Hazardous Substances) compliant. Total system life rated at 50,000 hours. Predicted L70 lifetime based on LED manufacturer's supplied LM-80 data and in-situ laboratory testing at 25°C ambient
- Integral emergency driver with EMLED option. To estimate lumen output in emergency, multiply emergency pack wattage by efficacy, then by 1.10
- The GTD/E option is used to bypass wall switches and allow luminaire operation on auxiliary power. Generator transfer requires installation in conjunction with a UL1008 listed device.

- The GTD/SNSR option is used to bypass integrated sensor control in the event of utility power loss. Generator transfer requires installation in conjunction with a UL1008 listed device.

Materials

- Heavy gauge cold rolled steel housing and LED pan. Polycarbonate injection molded end caps. Profile extruded acrylic diffuser

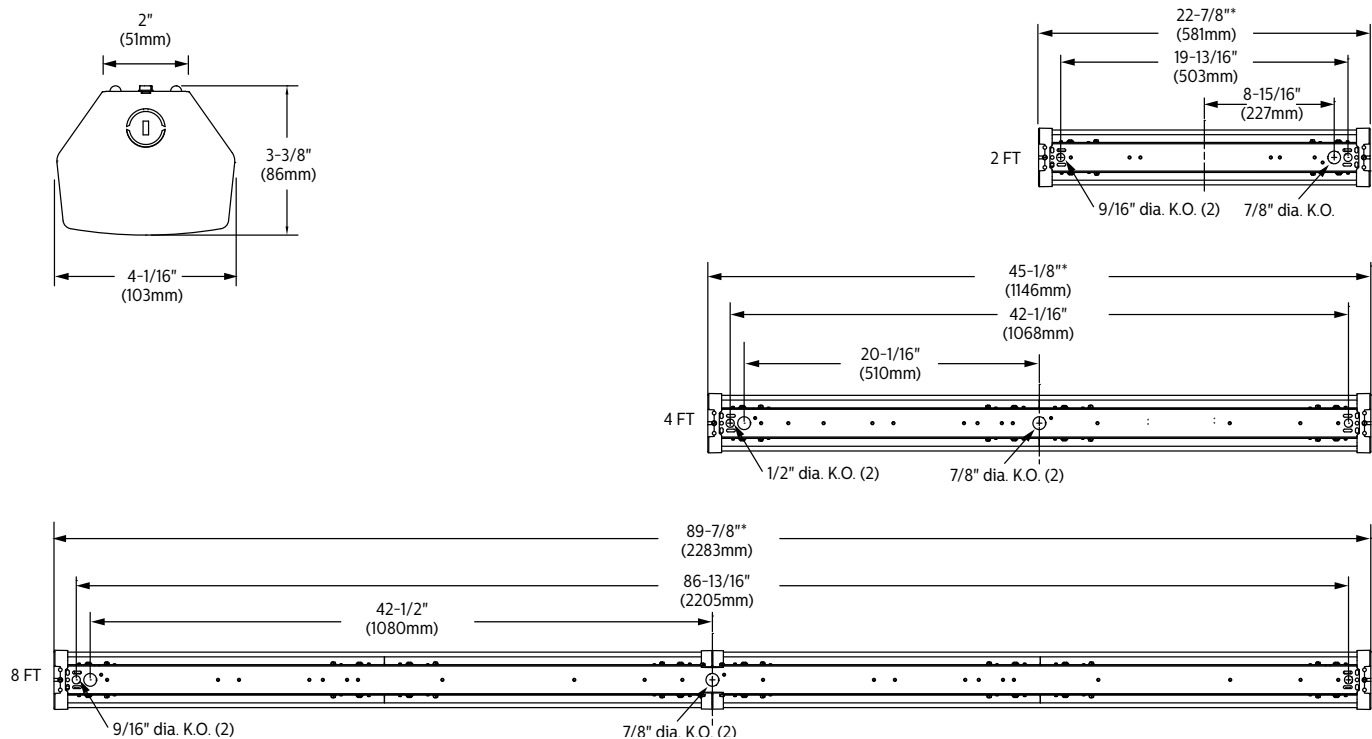
Labels

- cETLus listed
- Suitable for damp locations

Ambient Temperature Data

Configuration	Ambient
FSW470L	-20°C to 30°C
FSW8110L	-20°C to 35°C
FSW8140L	-20°C to 25°C
EMLED Option	Minimum 0°C
All Others	-20°C to 40°C

Dimensions



*For integral controls option, overall length is 1-3/8" (35mm) longer.

FSW FluxStream LED wraparound

2', 4' and 8'

Wireless Controls Options

SpaceWise DT (SWZDT)

- Standalone daylight and occupancy sensing with advanced grouping, wireless mesh networking and dwell time.
- Commissioning via compatible Android phone and Philips Field App
- Dimming via compatible Zigbee wireless wall switch only (see link below for details)
- Register for the commissioning app at <http://registration.componentcloud.philips.com/appregistration/>
- Integral sensing options may not be combined
- For more information including recommended switches, refer to the following: -
SWZDT - www.usa.lighting.philips.com/systems/lighting-systems/spacewise

Emergency Options (ER100)

- Power Sensing (Factory default) - Recommended UL924 option requires unswitched power sense line, absence of voltage on the normal circuit triggers luminaire to 100% output
- Power Interruption Detection (Field option) - Detects AC power interruption >30ms triggers 90 minute emergency mode with luminaire at 100% output
- 347V requires step-down transformer and must be ordered indicating Power Sensing or Power Interruption Detection.

FluxStream wrap shown with integral sensor



Interact Pro scalable sensor for Foundation, Advanced & Enterprise tiers (SWZCS and an evolution of SpaceWise)

- SWZCS is a connected sensor with integral occupancy and daylight sensing and supports wireless mesh connectivity.
- The sensor works in the Foundation mode (similar to SpaceWise) when configured without a gateway or in an Interact Pro Advanced or Enterprise mode if a compatible gateway is used.
- Interact Pro includes an App, a portal and a broad portfolio of wireless luminaires, lamps and retrofit kits all working on the same system.
- Startup is implemented via Interact Pro App (Android or iPhone) & Bluetooth connectivity. The App provides flexibility to choose between a gateway or non gateway mode for setup.
- Setup with the gateway requires wired internet access to the gateway. It is possible to add a gateway at a later point.
- Prepare project configuration steps remotely and use IRT9015 remote onsite to identify and group devices together.
- Compatible with:
 - SWS200 wireless scene switch
 - Battery powered IP42 presence sensor OCC sensor IA CM WH 10/1
 - Battery powered IP42 presence & daylight sensor OCC-DL sensor IA CM IP42 WH
 - LCN3110: Battery powered IP65 presence sensor, OCC sensor IA CM IP65WH
 - LCN3120: Battery powered IP65 presence & daylight sensor, OCC-DL sensor IA CM IP65 WH
- For more information on Interact Pro visit: www.interact-lighting.com/interactproscalablesystem

Radio only sensor (RADIO)

- Integral RADIO only sensor simply enables wireless mesh connectivity to the luminaire without any occupancy or daylight sensing.
- Ideal for applications where sensing functionality is managed by other Interact devices and the luminaire only needs to have wireless connectivity.

Interact Pro scalable sensor bundles for Enterprise tier

- IAOSB option in addition to occupancy and daylight sensing supports advanced IoT capabilities such as people estimation analysis, desk level temperature & humidity sensing, noise classification, and BLE beacon.
- Compatible with SWS200 wireless scene switch, wireless Occ sensor (OCC SENSOR IA CM IP42 WH 10/1) and wireless Day/Occ sensor (OCC MULTI SENSOR IA CM WH 10/1) and wireless Occupancy or Daylight & Occupancy sensors available.
- Use Interact software and insights to increase building efficiency, achieve building wide integration and optimize space through occupancy analytics.
- Requires compatible Gateway and internet connectivity for commissioning.
- For more information, visit: www.interact-lighting.com/office or www.usa.lighting.philips.com/systems/system-areas/offices

FSW FluxStream LED wraparound

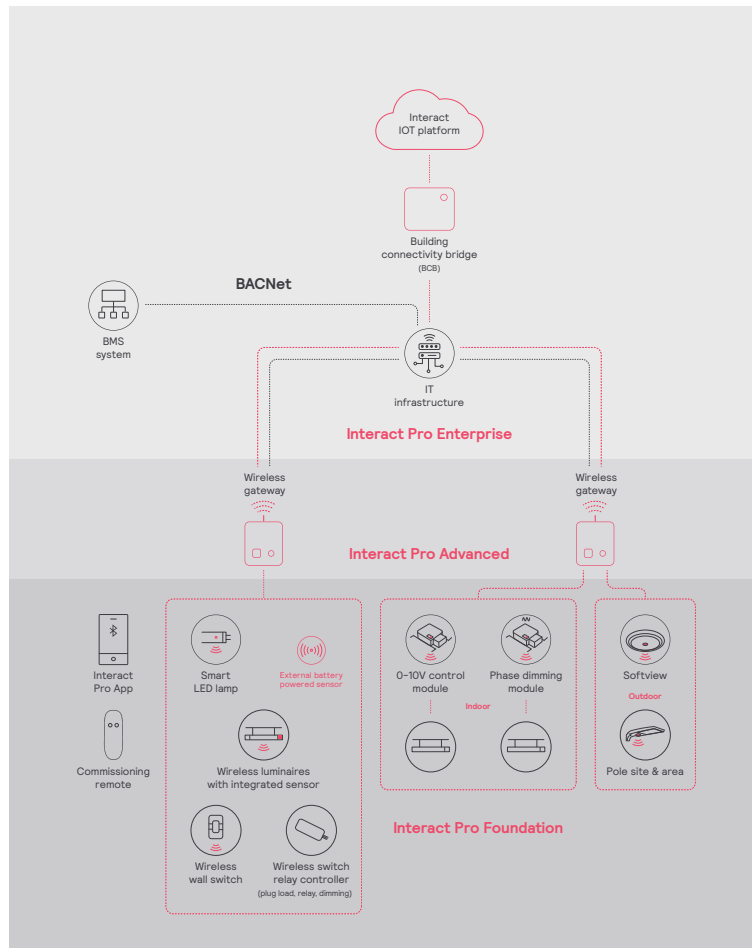
2', 4' and 8'

Interact Pro scalable system			
	Foundation	Advanced	Enterprise
Dimming, grouping, and zoning	✓	✓	✓
Bluetooth and ZigBee enabled	✓	✓	✓
Motion sensing and daylight harvesting	✓	✓	✓
Integration with 0-10V and phase dimming fixtures	✓	✓	✓
Code compliance	✓	✓	✓
Granular dimming and dwell time	✓	✓	✓
Energy reporting and monitoring		✓	✓
Scheduling		✓	✓
Demand response		✓	✓
BMS integration (BACnet)			✓
Floor plan visualization			✓
IoT sensors for wellness			✓
IoT Apps for productivity			✓

Currently supported maximum system size

To be able to design the lighting system correctly for the customer, it is important to know the prime characteristics of the system, its possibilities and limitations.

System level	
Total number of gateways	Unlimited
Total number of devices	200 per network
• luminaires with integrated sensors	150
• smart TLEDS	150
Total number of ZGP devices (sensors and switches)	50
• sensors	30
• switches	50
• zones and groups	64
Group level	
Recommended number of lights	40 (recommended 25)
Number of ZGP devices	5
Number of scenes	16



FSW FluxStream LED wraparound

2', 4' and 8'

Photometry Test List

Catalog No.	Delivered Lumens	Input Watts	Efficacy
FSW220L830-UNV-DIM	1951	16.0	122
FSW230L830-UNV-DIM	2737	23.6	116
FSW430L830-UNV-DIM	2770	20.9	133
FSW440L830-UNV-DIM	3731	29.2	128
FSW455L830-UNV-DIM	4979	40.3	124
FSW470L830-UNV-DIM	6164	51.8	119
FSW860L830-UNV-DIM	5533	41.9	132
FSW880L830-UNV-DIM	7451	58.6	127
FSW8110L830-UNV-DIM	9943	80.8	123
FSW8140L830-UNV-DIM	12309	103.9	118

Catalog No.	Delivered Lumens	Input Watts	Efficacy
FSW220L835-UNV-DIM	2031	16.0	127
FSW230L835-UNV-DIM	2849	23.6	121
FSW430L835-UNV-DIM	2883	20.9	138
FSW440L835-UNV-DIM	3883	29.2	133
FSW455L835-UNV-DIM	5181	40.3	129
FSW470L835-UNV-DIM	6414	51.8	124
FSW860L835-UNV-DIM	5758	41.9	137
FSW880L835-UNV-DIM	7754	58.6	132
FSW8110L835-UNV-DIM	10347	80.8	128
FSW8140L835-UNV-DIM	12810	103.9	123

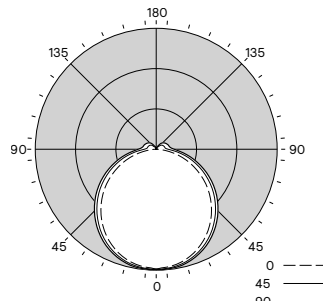
Catalog No.	Delivered Lumens	Input Watts	Efficacy
FSW220L840-UNV-DIM	2087	16.0	130
FSW230L840-UNV-DIM	2928	23.6	124
FSW430L840-UNV-DIM	2963	20.9	142
FSW440L840-UNV-DIM	3990	29.2	137
FSW455L840-UNV-DIM	5325	40.3	132
FSW470L840-UNV-DIM	6592	51.8	127
FSW860L840-UNV-DIM	5917	41.9	141
FSW880L840-UNV-DIM	7969	58.6	136
FSW8110L840-UNV-DIM	10633	80.8	132
FSW8140L840-UNV-DIM	13164	103.9	127

Catalog No.	Delivered Lumens	Input Watts	Efficacy
FSW220L850-UNV-DIM	2097	16.0	131
FSW230L850-UNV-DIM	2942	23.6	125
FSW430L850-UNV-DIM	2978	20.9	142
FSW440L850-UNV-DIM	4010	29.2	137
FSW455L850-UNV-DIM	5351	40.3	133
FSW470L850-UNV-DIM	6625	51.8	128
FSW860L850-UNV-DIM	5947	41.9	142
FSW880L850-UNV-DIM	8008	58.6	137
FSW8110L850-UNV-DIM	10687	80.8	132
FSW8140L850-UNV-DIM	13230	103.9	127

Photometry

FSW220L840-UNV-DIM

Luminaire Lumens 2087
Luminaire Efficacy Rating (LER) 130
Total Luminaire Watts 16
Spacing Criterion (0-180) 1.24
Spacing Criterion (90-270) 1.32



Candela Distribution						
	0	22.5	45	67.5	90	Lumens
0	595	595	595	595	595	
5	588	589	593	597	597	56
15	566	569	577	583	584	163
25	523	528	540	548	550	248
35	462	470	485	496	498	302
45	386	398	416	430	433	319
55	301	316	339	354	359	299
65	207	227	254	271	276	246
75	112	140	168	186	193	171
85	26	57	87	109	117	91
90	1	28	59	81	89	
95	2	22	47	67	74	49
105	3	21	43	59	65	42
115	4	19	40	55	60	36
125	4	11	35	49	53	28
135	5	10	25	41	45	19
145	5	9	14	25	30	10
155	6	8	11	14	17	5
165	8	8	9	9	11	3
175	10	9	9	7	5	1
180	8	8	8	8	8	

Zonal Lumen Summary			
Zone	Lumens	%Fixture	%Lamp
0-30	467	22.4%	22.4%
0-40	769	36.9%	36.9%
0-60	1387	66.5%	66.5%
0-90	1895	90.8%	90.8%
90-130	154	7.4%	7.4%
90-150	184	8.8%	8.8%
90-180	192	9.2%	9.2%
0-180	2087	100.0%	100.0%

Avg. Luminance (cd/m²)			
	0	45	90
45	9417	8084	8013
55	8761	7285	7250
65	7765	6332	6364
75	6201	5199	5377
85	2949	3664	4279

Coefficients of Utilization %												
Pc---	80				70				50			
	70	50	30	10	70	50	30	50	30	10	0	
RCR	0	117	117	117	113	113	113	106	106	91		
1	105	100	95	91	102	97	92	91	87	84	73	
2	95	86	79	73	92	84	77	78	73	68	60	
3	86	75	67	60	83	73	65	69	62	57	50	
4	79	66	57	50	76	64	56	61	54	48	42	
5	72	59	50	43	70	57	49	54	47	41	36	
6	67	53	44	37	64	52	43	49	41	36	31	
7	62	48	39	33	59	47	38	44	37	32	28	
8	57	44	35	29	55	43	34	41	33	28	25	
9	54	40	32	26	52	39	31	37	30	25	22	
10	50	37	29	24	48	36	28	34	28	23	20	

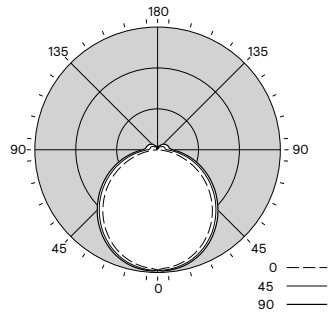
FSW FluxStream LED wraparound

2', 4' and 8'

Photometry

FSW440L840-UNV-DIM

- Luminaire Lumens 3990
- Luminaire Efficacy Rating (LER) 137
- Total Luminaire Watts 29.2
- Spacing Criterion (0-180) 1.24
- Spacing Criterion (90-270) 1.30



Candela Distribution						
	0	22.5	45	67.5	90	Lumens
0	1179	1179	1179	1179	1179	
5	1157	1169	1175	1179	1184	112
15	1112	1126	1138	1146	1153	321
25	1026	1042	1060	1073	1080	487
35	903	923	947	963	970	590
45	753	777	807	828	835	618
55	583	614	650	675	683	575
65	397	438	482	512	521	468
75	207	260	313	346	359	318
85	43	100	155	192	207	160
90	3	45	98	136	150	
95	3	35	78	110	123	81
105	6	34	73	101	112	71
115	9	29	68	94	104	61
125	11	24	55	84	92	48
135	14	24	40	66	78	34
145	19	26	35	44	58	23
155	23	27	33	34	43	15
165	27	28	31	28	31	8
175	29	29	29	25	15	3
180	27	27	27	27	27	

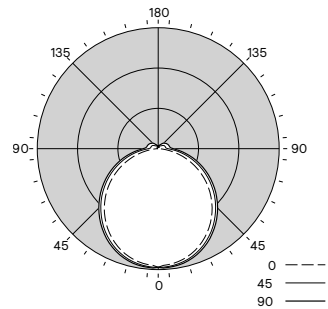
Zonal Lumen Summary			
Zone	Lumens	%Fixture	%Lamp
0-30	919	23.0%	23.0%
0-40	1509	37.8%	37.8%
0-60	2702	67.7%	67.7%
0-90	3648	91.4%	91.4%
90-130	261	6.5%	6.5%
90-150	317	7.9%	7.9%
90-180	343	8.6%	8.6%
0-180	3990	100.0%	100.0%

Avg. Luminance (cd/m ²)			
	0	45	90
45	9204	7721	7440
55	8646	6929	6653
65	7786	6017	5795
75	6269	4883	4819
85	3091	3367	3636

Coefficients of Utilization %													
Pc---	80				70				50				0
Pw---	70	50	30	10	70	50	30	50	30	10	0		
RCR													
0	117	117	117	117	113	113	113	106	106	106	91		
1	106	100	96	91	102	97	93	91	88	85	74		
2	96	87	80	73	92	84	78	79	74	69	61		
3	87	76	67	61	84	74	66	69	63	57	51		
4	79	67	58	51	76	65	57	61	54	48	43		
5	73	60	50	44	70	58	49	55	47	42	37		
6	67	54	44	38	65	52	44	49	42	36	32		
7	62	48	40	33	60	47	39	45	37	32	28		
8	58	44	36	30	56	43	35	41	34	29	25		
9	54	40	32	27	52	40	32	38	31	26	23		
10	51	37	29	24	49	36	29	35	28	23	20		

FSW880L840-UNV-DIM

- Luminaire Lumens 7969
- Luminaire Efficacy Rating (LER) 136
- Total Luminaire Watts 58.6
- Spacing Criterion (0-180) 1.24
- Spacing Criterion (90-270) 1.30



Candela Distribution						
	0	22.5	45	67.5	90	Lumens
0	2354	2354	2354	2354	2354	
5	2310	2335	2347	2355	2365	223
15	2221	2248	2272	2289	2302	640
25	2049	2081	2117	2142	2156	973
35	1804	1842	1891	1923	1937	1177
45	1504	1552	1612	1653	1667	1235
55	1164	1227	1297	1347	1363	1148
65	793	874	963	1022	1040	935
75	413	520	625	691	717	635
85	86	199	310	384	412	319
90	6	90	195	271	300	
95	5	70	155	221	246	161
105	12	68	146	202	224	141
115	17	58	135	188	207	122
125	22	48	111	168	183	96
135	29	48	80	131	155	68
145	38	53	69	89	116	45
155	46	55	66	68	85	30
165	54	56	61	56	62	16
175	58	59	58	50	31	5
180	54	54	54	54	54	

Zonal Lumen Summary			
Zone	Lumens	%Fixture	%Lamp
0-30	1835	23.0%	23.0%
0-40	3013	37.8%	37.8%
0-60	5396	67.7%	67.7%
0-90	7284	91.4%	91.4%
90-130	520	6.5%	6.5%
90-150	633	7.9%	7.9%
90-180	684	8.6%	8.6%
0-180	7969	100.0%	100.0%

Avg. Luminance (cd/m ²)			
	0	45	90
45	9264	7706	7348
55	8771	6936	6570
65	7998	6048	5723
75	6612	4937	4759
85	3611	3440	3591

Coefficients of Utilization %													
Pc---	80				70				50				0
Pw---	70	50	30	10	70	50	30	50	30	10	0		
RCR													
0	117	117	117	117	113	113	113	106	106	106	91		
1	106	100	96	91	102	97	93	91	88	85	74		
2	96	87	80	73	92	84	78	79	74	69	61		
3	87	76	67	61	84	74	66	69	63	57	51		
4	79	67	58	51	76	65	57	61	54	48	43		
5	73	60	50	44	70	58	49	55	47	42	37		
6	67	54	44	38	65	52	44	49	42	36	32		
7	62	48	40	33	60	47	39	45	37	32	28		
8	58	44	36	30	56	43	35	41	34	29	25		
9	54	40	32	27	52	40	32	38	31	26	23		
10	51	37	29	24	49	36	29	35	28	23	20		

FSW FluxStream LED wraparound

2', 4' and 8'

Accessories¹⁶



Accessory Catalog Code	Description
FSTH	Sliding hanger bracket (pair)
SV5F12	12" Stem and canopy kit
SV5F18	18" Stem and canopy kit
SV5F24	24" Stem and canopy kit
SV5F36	36" Stem and canopy kit
SV5F48	48" Stem and canopy kit
FKR-126	Chain hanger set (pair)
DACHxx	Adjustable cable hanger kit (single)
DACHxx-1-SC	Adjustable cable hanger kit with white straight 18/3 cord (single)
DACHxx-1-CC	Adjustable cable hanger kit with white coiled 18/3 cord (single)
DACHxx-2-SC	Adjustable cable hanger kit with white straight 18/4 cord (single)
DACHxx-2-CC	Adjustable cable hanger kit with white coiled 18/4 cord (single)
DACHxx-1D-SC	Adjustable cable hanger kit with white straight 18/5 cord with dimming leads (single)
FSWJ	External continuous row joiner (one per joint).
LSXR10	Low bay pir motion sensor (120-277v)
LSXR10ADC	Low bay pir motion sensor with photocell and hi/lo trim dimming (120-277v)
FSWD2L	2' Diffuse replacement lens
FSWD4L	4' Diffuse replacement lens (order two for 8' models)

White stem and canopy kit, 1/4" trade size (1/2" O.D.) locknuts included. Works with 9/16" k.O. on base of housing.

Includes two 5' heavy duty link chains with "V" hooks. Attaches to base of housing.

Works with 1/4" hole on base of housing or FSTH hanger bracket.

xx=cable length in inches, enter 48" to 180" lengths in 12" increments

FSJW accessory required for continuous row mounting

¹⁶ Consult Signify to confirm whether specific accessories are BAA-compliant.

