

Project: _____
 Location: _____
 Cat.No: _____
 Type: _____
 Lamps: _____ Qty: _____
 Notes: _____

Hadco FlexScope SL43 inground line-voltage landscape luminaire has interchangeable optics 20°, 36° and 65° by switching optic lenses. This adjustable luminaire also has the ability to switch between 5 preset light outputs.

Ordering guide

Example: SL43WHWADA

Series	Finish	Color temperature	Lens	Options	Accessories	Surge suppressor
SL43		-				
SL43 Inground line- voltage luminaire	BK Black BZ Bronze WH White GR Green GY Gray NA Natural aluminum	W Warm (3000K) C Cool (4000K)	F Clear flat ADA Walk over LS Linear spread CFL Clear frosted	N None CR Convex rockguard DS Directional shield LFSS Stainless steel lens frame	N None GM Grout mask	N None SP1 120-277V, 10K

Features

- Housing (Lamp/Ballast):** Single piece compression molded fiberglass reinforced polyester composite, factory tested to ensure water will not wick or leak through cavity. Separated sealed compartments provide isolation between field wiring, optics and driver. Superior resistance to ultraviolet degradation and corrosion resistant in harsh environments. Trim Ring and Debris Cover supplied standard.
- Electrical:** 34W (on high setting) Input voltage range (VAC): 120-277V. Includes 0-10V Analog Class 2 wiring for dimming, capped off to help prevent cross wiring with line voltage wires.
- LED Board:** Single COB LED Array
- Controls:** Class 2 driver with AOC and 0-10V dimming. Design allows easy-access to integral switch with 5 preset

light outputs, see lumen matrix. Remove lens frame and adjust the slider switch by hand.

- Optical Systems:** Fixture pre-installed with medium flood (36°) optical lens. Interchangeable optical lenses clip onto main reflector. Both narrow flood (20°) and wide flood (65°) optical lenses are shipped with each fixture. Components are made of injection molded polycarbonate (PC). Heatsink doubles as an aiming apparatus, providing a range of 30° (15° from center both ways). Aiming can be adjusted after easy removal [8] screws on lens frame.

Splice Compartment

Supplied with two 3/4" NPT conduit entrances. Connection to driver compartment by way of anti-wicking device. Sealed with gasketed die cast aluminum cover plate. Suitable for through wiring.

Lens Frame

Heavy duty die cast bronze lens frame is supplied as standard. Fastened to housing with eight captive 1/4-20 stainless steel Allen cap screws.

Lens

Standard 3/8" tempered flat borosilicate glass. Flat lens will withstand static loads up to 4000lbs. Sealed to housing with high temperature injection molded silicone gasket.

Finish

Housing is black. Lens frame can be painted in standard or custom colors. Powder coat is standard.

Lamps

Integral LED module

Options

Optional integral surge protection device provides single phase protection for line / neutral, line / ground, and neutral / ground in accordance with IEEE C62.41 2002C High.

IP67 Rating

Dust tight and sealed against direct jets of water and against temporary immersion.

Labels

ETL and CETL listed for wet location, direct burial, and concrete pour. 5-year limited warranty.



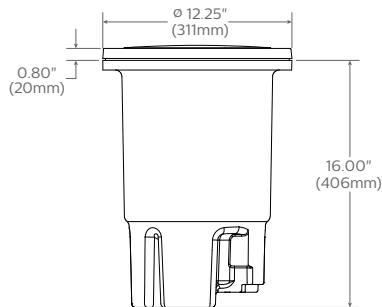
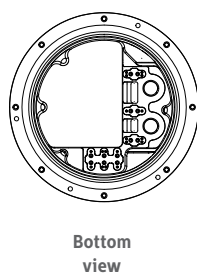
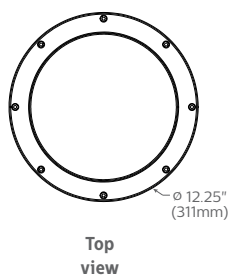
SL43 FlexScape LED

Inground line-voltage

Lumen matrix

	Wattage	Amps		3000K			4000K		
		120V	277V	Narrow	Medium	Wide	Narrow	Medium	Wide
F Clear	10W	80mA	50mA	1013	1030	965	1090	1095	1035
	13W	110mA	55mA	1438	1463	1370	1548	1555	1470
	19W	155mA	75mA	2021	2055	1925	2176	2185	2066
	27W	225mA	100mA	2697	2744	2570	2905	2917	2758
	33W	275mA	120mA	3023	3075	2880	3255	3269	3091
ADA Walkover	10W	80mA	50mA	951	953	899	1035	1038	979
	13W	110mA	55mA	1350	1354	1277	1470	1474	1390
	19W	155mA	75mA	1898	1902	1794	2066	2071	1954
	27W	225mA	100mA	2533	2539	2396	2758	2764	2608
	33W	275mA	120mA	2839	2845	2685	3091	3098	2923
LS Linear Spread	10W	80mA	50mA	951	948	869	1035	1032	946
	13W	110mA	55mA	1350	1347	1234	1470	1466	1344
	19W	155mA	75mA	1898	1892	1734	2066	2060	1888
	27W	225mA	100mA	2533	2526	2315	2758	2750	2521
	33W	275mA	120mA	2839	2831	2595	3091	3082	2825
CFL Frosted	10W	80mA	50mA	864	861	786	940	937	856
	13W	110mA	55mA	1226	1222	1116	1335	1330	1215
	19W	155mA	75mA	1723	1717	1568	1876	1870	1707
	27W	225mA	100mA	2301	2292	2093	2505	2496	2279
	33W	275mA	120mA	2578	2569	2346	2807	2797	2554

Dimensions



Options and Accessories



CR = Convex rockguard



DS = Directional shield



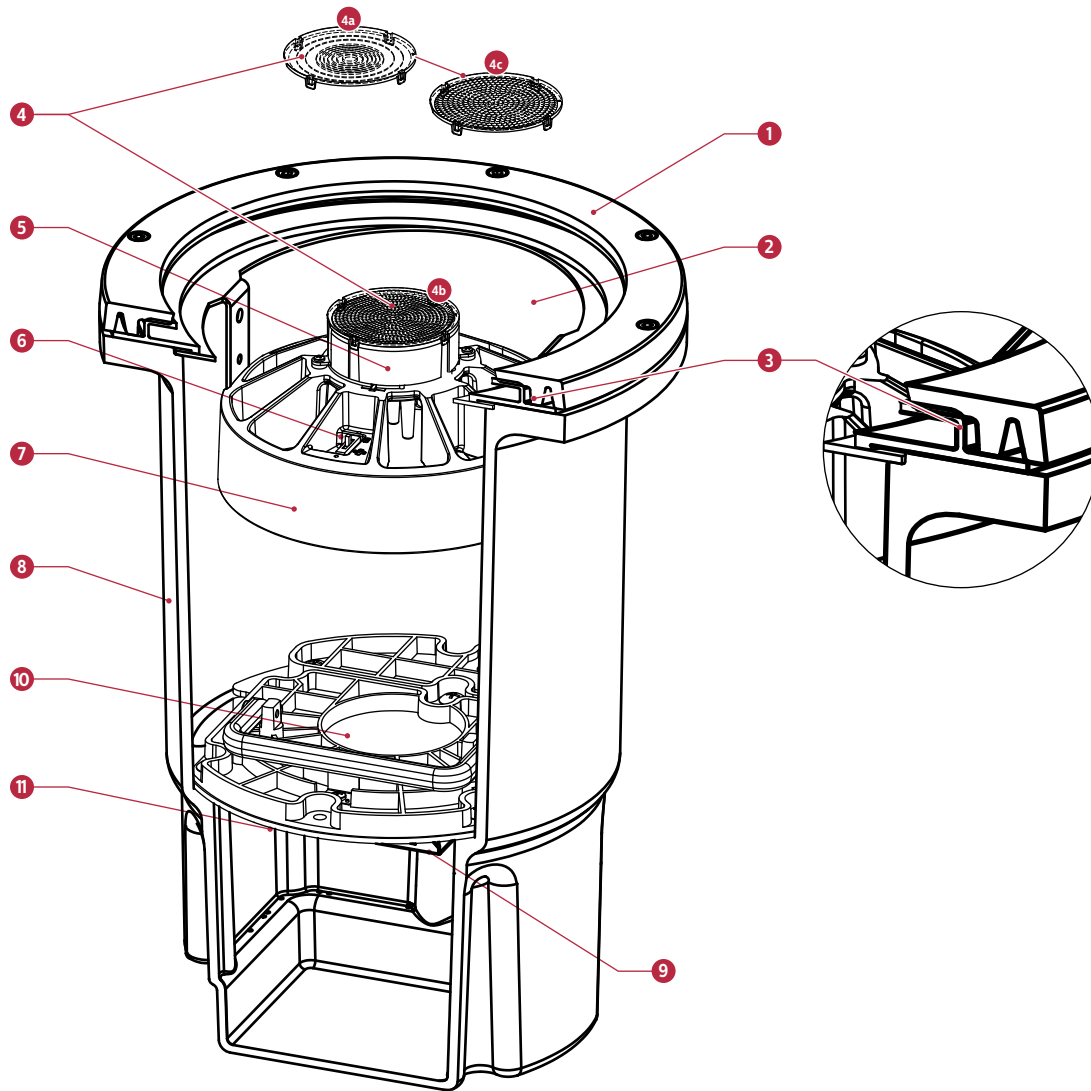
LFSS = Stainless steel lens frame



GM = Groute mask

SL43 FlexScape LED

Inground line-voltage



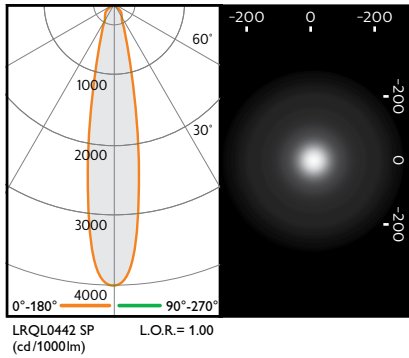
Component	Feature/Function
1. Lens frame	Secured to housing with 8 captive screws.
2. Molded lens	Exterior 3/8" thick tempered lens.
3. Lens gasket	Molded gasket slips onto lens without tools or RTV.
4. Optical lenses	Three clip on lenses 4a - NFLD, 4b - MFLD, 4c - WFLD
5. Reflector	Designed for COB LEDs, provides UV protection.
6. Switch	Simple customer access for dimming. Slides to 5 different preset light levels.
7. Heatsink	Enables aiming of the optics while transferring heat from COB for better thermal performance.
8. Fixture housing	Separate compartments for field connection, driver and COB reflector assembly.
9. Driver	Class 2 driver with 0-10v dimming. Field replaceable.
10. Driver cover	Driver mounts directly to cover. Handle provided to easily remove from housing.
11. Driver cover gasket	Molded gasket provides seal to driver compartment.

SL43 FlexScape LED

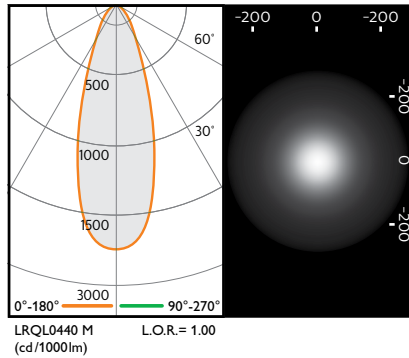
Inground line-voltage

SL43 Warm 3000 K

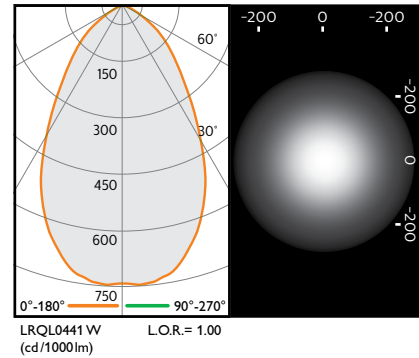
Narrow
minimum output



Medium
minimum output

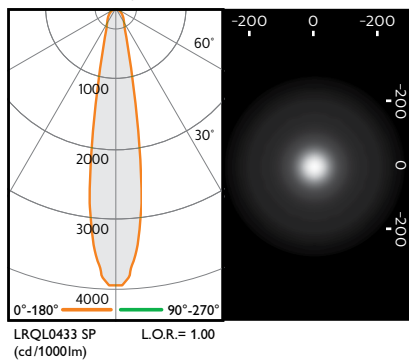


Wide
minimum output

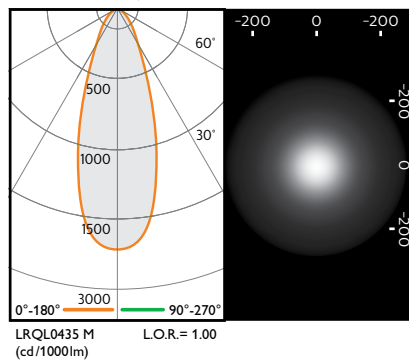


SL43 Cool 4000 K

Narrow
maximum output



Medium
maximum output



Wide
maximum output

