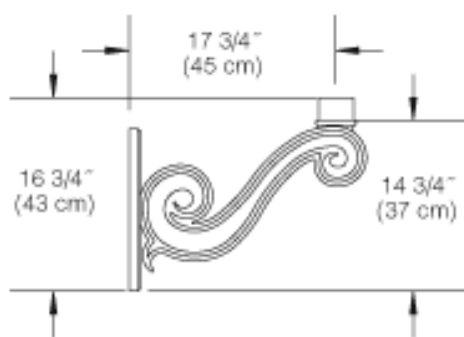


Project: \_\_\_\_\_  
Location: \_\_\_\_\_  
Cat.No: \_\_\_\_\_  
Type: \_\_\_\_\_  
Lamps: \_\_\_\_\_ Qty: \_\_\_\_\_  
Notes: \_\_\_\_\_



### Ordering Guide

Example: PTW2580 A

| Product Code | PTW2580 | Wall Mount |
|--------------|---------|------------|
| Finish       | A       | Black      |
|              | B       | White      |
|              | G       | Verde      |
|              | H       | Bronze     |
|              | J       | Green      |

### Specifications

#### HOUSING:

356 HM high-strength, low-copper, proprietary cast aluminum alloy .

#### FINISH:

Thermoset polyester powdercoat is electrostatically applied after a five-stage conversion cleaning process and bonded by heat fusion thermosetting. Laboratory tested for superior weatherability and fade resistance in accordance with ASTM B117 specifications. For larger projects where a custom color is required, contact the factory for more information.

#### WARRANTY:

Three-year limited warranty.

#### Height :

16 3/4" (43 cm)

#### Length:

17 3/4" (45 cm)

