

Shine seamlessly integrates into your space with modern good looks, size options to match any grid, and below the ceiling maintenance access.

Shine now includes AccuRender technology for the highest color quality at the highest efficacy.

Project: _____
 Location: _____
 Cat.No: _____
 Type: _____
 Line ID: _____ Qty: _____
 Notes: _____

Ordering guide

Example: 3322D1STL93540A1DE

Family	Size ⁴	Version	Configuration	Source	CRI/CCT ¹	Lumens ¹
33			ST	L		
33 Shine	24 2'x4' ² 54 20'x4' ^{4,5} M4 600x1200mm ⁹	D1 Standard T-Grid	ST Standalone	L LED	950 CRI 90, 5000K	80 8000lm
		C1 Standard T-Grid + Chicago Plenum			940 CRI 90, 4000K	75 7500lm
		A1 Standard T-Grid + Air Return ⁵			935 CRI 90, 3500K	70 7000lm
		930 CRI 90, 3000K			65 6500lm	
		927 CRI 90, 2700K			60 6000lm	
					55 5500lm	
					50 5000lm	
					45 4500lm	
					40 4000lm	
	30 30"x30" ⁹ M7 750x750mm ⁹					60 6000lm
						55 5500lm
	14 1'x4' ⁵ 22 2'x2' 52 20"x2' ^{5,9} M2 600x600mm ⁹ M3 300x1200mm ^{5,9}					50 5000lm
						45 4500lm
						40 4000lm
			35 3500lm			
			30 3000lm			
12 1'x2' ^{5,9} M5 300x600mm ^{5,9}			25 2500lm			
			30 3000lm			
11 1'x1' ^{5,7,9} M1 300x300mm ^{5,7,9}			25 2500lm			
			20 2000lm			
			15 1500lm			
			15 1500lm			
			10 1000lm			

Optics	Wiring ³	Voltage ³	Driver ^{3,8}	Option ^{4,5}	System/Controls
A Acrylic Silk Lens	1 1 Circuit B 1 Circuit+ Battery Pack ^{6,7}	D UNV 120-277V 3 347V ⁹ D UNV 120-277V	E Advance Xitanium 0-10V (1% Dim) D Advance Xitanium DALI-2 D4i (1%) ⁶ H Lutron EcoSystem LDE1 (<1%, FtB) ^{6,9} S Advance Xitanium SR, DALI-2 D4i (1%) ⁶	N No option D Drywall trim kit P Flex whip (6') S Solid filler panel (set of 2, 20"x4' size only) A Air return filler panel (set of 2, 20"x4' size only)	Leave blank CS Interact Pro Sensor (Day/Occ) ^{8,11} SB Interact Pro Enterprise Sensor Bundle (Day/Occ + IoT)
	1 1 Circuit B 1 Circuit+ Battery Pack ^{6,7} R UL924 Sensor Bypass Relay ¹⁰	D UNV 120-277V			

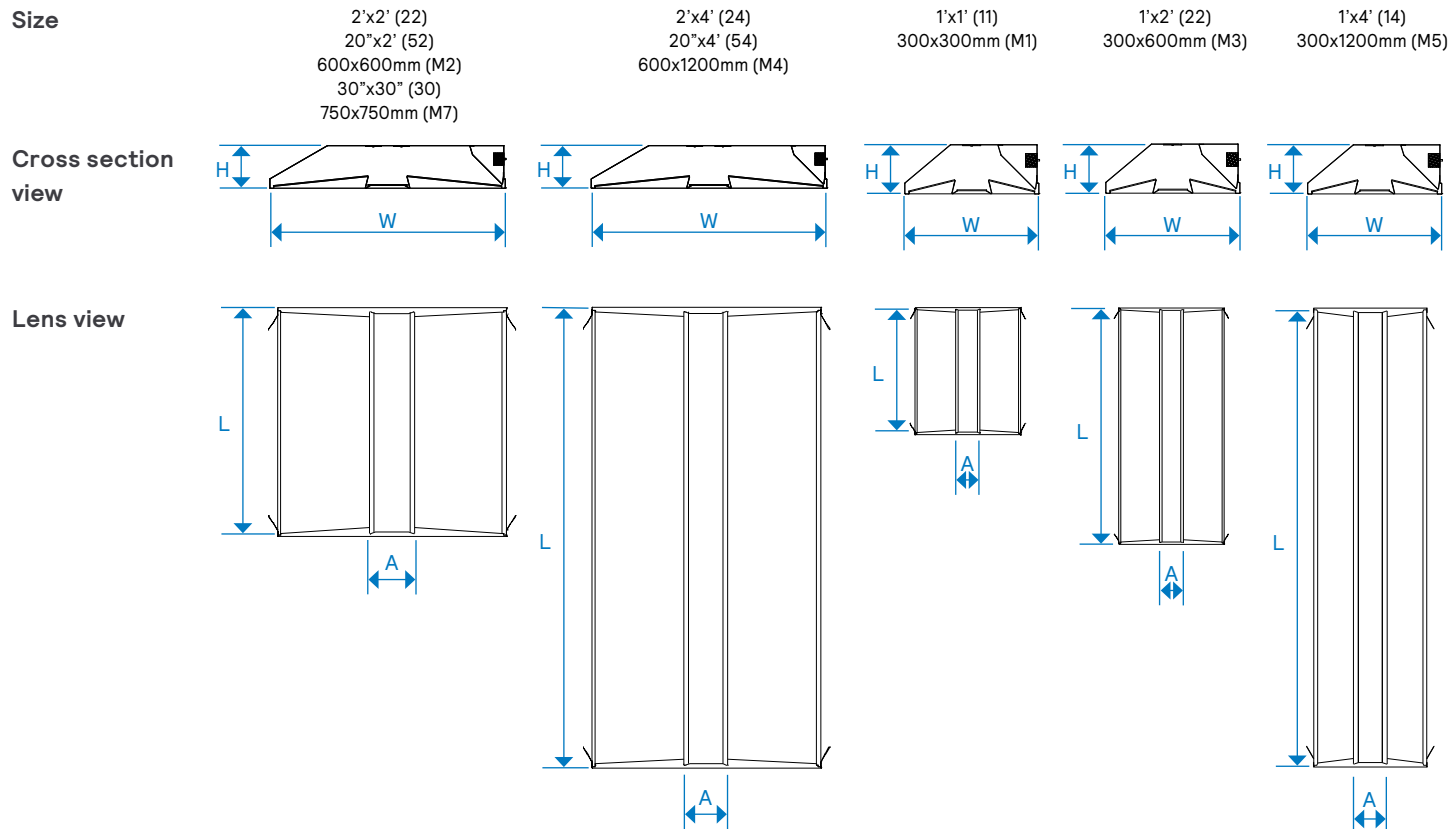
- Nominal values within a range. Consult photometry data for CRI, CCT, lumens & distribution of chosen configuration
 - Not all wiring types are available with all configurations. Consult Ledalite for a complete list of available options.
 - Flex whips are installed, Drywall Trim Kits ship separately.
 - Filler Panels available for 20"x4' size to accommodate a 20"x60" grid system. Air Return filler panels available as an option when accommodating 20"x60" grid systems.
 - Air Return version available in 2'x2' and 2'x4' sizes only.
 - 347V not available with Battery Pack, DALI, Lutron EcoSystem or Sensor Ready drivers or Interact Pro options.
 - 1'x1' & 300x300mm sizes not available with Battery Pack, DALI, Lutron EcoSystem or Sensor Ready drivers or Interact Pro options.
 - Interact options require separate controls hardware by Signify.
 - This option is qualified as Engineered-to-Order (ETO) ready. Other options not shown here may be possible via an ETO request. Lead times and minimum order quantities may vary, please consult factory.
 - UL924 listed sensor bypass relay is factory installed between driver & sensor. Must be ordered in same module as integral sensing option. Must be installed in conjunction with a UL1008 device.
 - Must order IRT9015 Interact commissioning remote with each system order.
- Note:** Due to continuing product improvements, Ledalite reserves the right to change the specifications without notice.

DLC Note: Not all product variations listed on this page are DLC qualified. To ensure that a specific model is qualified, visit www.designlights.org/search

Shine recessed

Imperial & metric sizes

Dimensions



Size	W	L	H	A
2'x2' (22)	23.75" [603mm]	23.66" [602mm]	4.375" [110mm]	4.500" [114mm]
20"x2' (52)	19.78" [502mm]	23.66" [602mm]	4.375" [110mm]	4.500" [114mm]
600x600mm (M2)	23.41" [595mm]	23.31" [592mm]	4.375" [110mm]	4.500" [114mm]
30"x30" (30)	Consult Factory			
750x750mm (M7)	Consult Factory			
2'x4' (24)	23.75" [603mm]	47.38" [1210mm]	4.375" [110mm]	4.500" [114mm]
20"x4' (54)	19.78" [502mm]	47.66" [1211mm]	4.375" [110mm]	4.500" [114mm]
600x1200mm (M4)	23.41" [595mm]	46.92" [1192mm]	4.375" [110mm]	4.500" [114mm]
1'x1' (11)	11.75" [298mm]	11.75" [298mm]	4.375" [110mm]	3.500" [89mm]
300x300mm (M1)	Consult Factory			
1'x2' (22)	11.75" [298mm]	23.66" [602mm]	4.375" [110mm]	3.500" [89mm]
300x600mm (M3)	Consult Factory			
1'x4' (14)	11.75" [298mm]	47.38" [1210mm]	4.375" [110mm]	3.500" [89mm]
300x1200mm (M5)	Consult Factory			

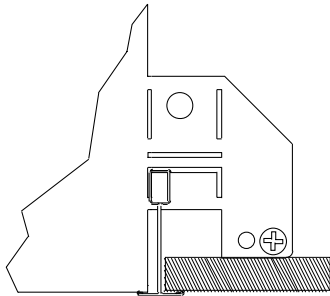
Shine recessed

Imperial & metric sizes

Mounting details

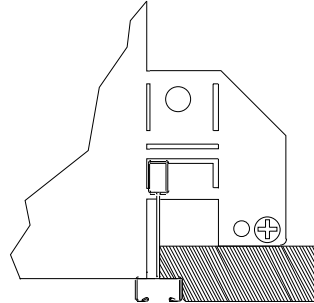
Flat T-Grid

Integrates with most common T-Grid types. Works with 9/16" & 15/16" flat T-Grid ceilings



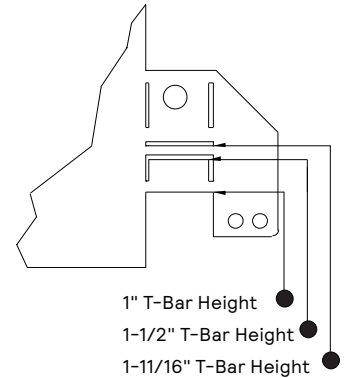
Slot T-Grid

Can be used with slot T-Grid ceilings. For 9/16" slot T-Grid ceilings, fixture will sit 5/16" above bottom of T-Bar.



Ceiling Types

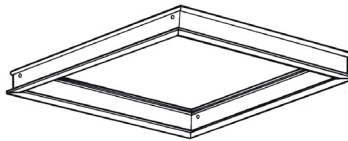
Integrated mounting tabs can be field-adjusted to various T-Grid ceiling heights for fastening directly to the T-Bar and/or tied off to the building structure.



Drywall Trim Kit

The drywall trim kit mounting frame assembly is designed to permit use of grid (NEMA G) fixtures in drywall or ceilings requiring flanges.

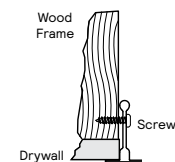
Extruded aluminum construction with mitered corners. Includes screws for complete assembly. Available in 2'x2', 2'x4' & 1'x4' sizes.



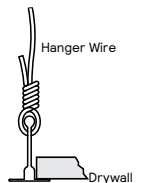
More information available at:

http://docs.ledalite.com/download/pdf/ID-Recessed_Drywall_Kits.pdf

Wood Frame Hanger Wire



Wood frame and screws supplied by others.



Hanger wires supplied by others.

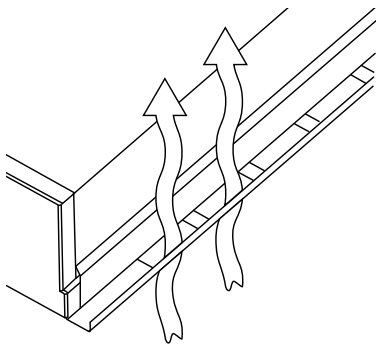
Shine recessed

Imperial & metric sizes

Mounting details (continued)

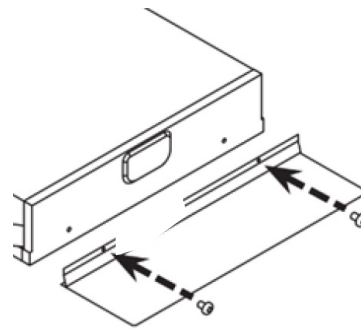
Air Return Vents

The air return version features slotted vents along the sides of the fixture. As a result, the installation method of the air return version may be different to the standard version, please consult the installation instruction sheet. Available in 2'x2' and 2'x4' sizes. Air return side rails are finished in black. If white rails or other sizes are required please consult factory.

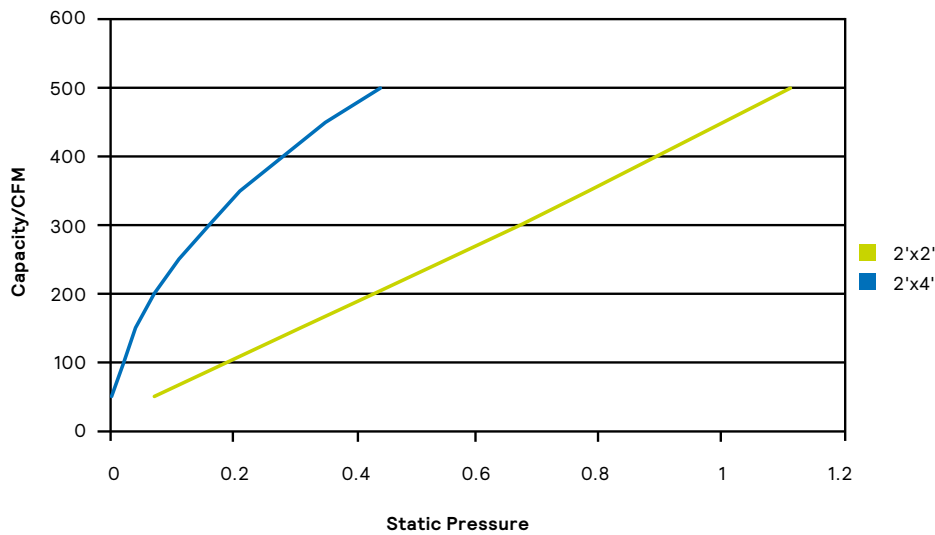


Filler Panel (20"x4' only)

Attach filler panels to ends of housing using two supplied screws shown below.



Air Return Performance Data



Model	Capacity/CFM	50	100	150	200	250	300	350	400	450	500
2'x2'	Static Pressure	0.07	0.19	0.31	0.43	0.55	0.67	0.78	0.89	1.00	1.11
	NC (dB)	<15	21	27	32	35	38	41	43	44	46
2'x4'	Static Pressure	0.00	0.02	0.04	0.07	0.11	0.16	0.21	0.28	0.35	0.44
	NC (dB)	<15	<15	<15	16	23	28	32	36	39	42

1. Static pressure given in inches, WG.
2. Sound ratings, NC, sound pressure levels are based on a room absorption of 10dB re10-12 watts.
3. Air Return version available in 2'x2' and 2'x4' sizes only.

Shine recessed

Imperial & metric sizes

Specifications

Optical System

Optical system consists of highly reflective powder coated interior reflectors and three flat acrylic lenses.

Finish

Housing and Frame: Post-painted, high quality powder coat. Available in white.

Housing

Die-formed, post-painted, 22 & 24 gauge cold-rolled steel. Wire entrance is positioned on the side and/or top of housing to allow easy wiring access for installation. Access to boards and drivers from below via side lens cavity. T-bar clips built into the luminaire ends for quick and easy installation. Optional perforated or solid filler panels for 20"x4' fixtures to accommodate 60" ceiling grid.

Weight

Maximum 40lbs (2'x4' with Battery Pack).

Electrical

LED boards are easily field replaceable, if required. Fixtures are factory pre-wired and tested for all circuits and backup battery packs; all leads pulled to a side access with cover plate.

Standard Drivers

Advance Xitanium 0-10V, 1% Dimming

Advance Xitanium DALI-2, 5% Dimming

Advance Xitanium SR, 5% Dimming

Lutron EcoSystem LDE1, 1% Dimming with Soft-On and Fade-to-Black

Class 2 rated output.

Consult Ledalite for other available drivers.

Standard Battery Pack

Bodine, 90 min, 10W, Class 2 rated output, Emergency lumen output = 10W x luminaire efficacy x 1.1. Typical output: 1300lm.

Lumen Maintenance

LEDs have been tested by the manufacturer in accordance with IESNA LM-80-08. At an ambient temperature of 25°C, the LED lumen maintenance expectation according to IES TM-21-11 is: L80 (10k) >60,000 hrs (Reported methodology).

Source Color

LEDs rated for color rendering of:

CRI >90 & R9>50

Fixture to fixture color accuracy within 2 SDCM.

Mounting

Compatible with 9/16" & 15/16" lay-in acoustical ceilings using exposed grid suspension (NEMA type G). For 9/16" slot T-grid ceilings, fixture will sit 5/16" above bottom of Tee. Integrated tabs are provided for different T-grid heights. Optional drywall kit trim mount can be fastened to a wood frame or installed with hangar wire.

Wiring

Optional armored cable flex whips are supplied in 6' lengths.

Approvals

Certified to UL & CSA Standards. City of Chicago Approved CCEA (housing option C).

Certain product configurations are DesignLights Consortium qualified. Please see the DLC QPL list for exact catalog numbers under DLC Family Code RRRXLU.

www.designlights.org/QPL

Select Shine configurations contribute toward satisfying features L06, L07 and L08 under the WELL v2 Building Standard®.

Luminaires that include Interact Pro controls options can help meet the requirements in 90.1-2022, IECC 2021, and CA T24 2022 for a maximum of 20 min. time out for occupancy controls.

Warranty

Five-year luminaire limited warranty including LED boards and driver.

www.signify.com/warranties

Environment

Type IC, rated for dry & damp locations in ambient operating temperatures of 25°C. Many luminaire components, such as reflectors, refractors, lenses, and LEDs are made from various types of plastics which can be adversely affected by airborne contaminants. If sulfur based chemicals, petroleum based products, cleaning solutions, or other contaminants are expected in the intended area of use, consult factory for compatibility. Damage caused by sulfur, chlorine, petroleum based solution or other contaminants are not covered under warranty.

QuickShip

10-day QuickShip available for most configurations upon request. More information available at:

www.signify.com/en-us/brands/ledalite/about-us/quickship

Shine recessed

Imperial & metric sizes

Controls Options*

Interact Radio Node for Standalone, Gateway and Gateway + IoT tiers (RA)

- RA is a connected radio node supporting wireless mesh connectivity.

Interact sensor for Standalone, Gateway and Gateway + IoT tiers (CS)

- CS is a connected sensor with integral occupancy and daylight sensing and supports wireless mesh connectivity.
- The sensor can operate in a standalone mode or in a gateway mode.
- Interact includes an App, a portal and a broad portfolio of wireless luminaires, lamps and retrofit kits all working on the same system.
- Startup is implemented via Interact Pro app (Android or iPhone) & Bluetooth connectivity. The app provides flexibility to choose between a gateway or non gateway mode for setup.
- Setup with the gateway requires wired internet access to the gateway.
It is possible to add a gateway at a later point.
- Prepare project configuration steps remotely and use IRT9015 remote onsite to identify and group devices together.
- Compatible with UID8465/10 or UID8465/50 wireless dimmer switches, wireless dimmer switch, SWS200 wireless scene switch, wireless occupancy sensor (OCC0100A/02 BP Sensor WH) and wireless daylight /occupancy sensor (OCC0101A/02 DL BP Sensor WH).

• For more information on Interact visit:
www.interact-lighting.com/en-us/what-is-possible/about-interact

Interact sensor bundles for Gateway + IoT tier (SB)

- SB option, in addition to occupancy and daylight sensing, supports advanced IoT capabilities such as people estimation analysis, desk level temperature & humidity sensing, noise classification, and Bluetooth Low Energy (BLE) beacon.
- Compatible with UID8465/10 or UID8465/50 wireless dimmers switches, SWS200 wireless scene switch, wireless occupancy sensor (OCC0100A/02 BP Sensor WH) and wireless daylight/occupancy sensor (OCC0101A/02 DL BP Sensor WH).
- Use Interact software and insights to increase building efficiency, achieve building wide integration and optimize space through occupancy analytics.
- Requires compatible gateway and internet connectivity for commissioning. For more information, visit: www.interact-lighting.com/office

Tunable White & BioUp

- Tunable white options are available with Interact wireless, Lutron Athena wireless, and 2ch 0-10V wired drivers. Please inquire about BioUp options and driver options such as DALI-2 DT6 or DMX control (extended lead times may apply).
- Signify tunable white solutions are designed to help maximize the influence of lighting on your daily life.
- Signify BioUp helps support daytime circadian rhythm for engagement during the day and good sleep quality at night.
- Dynamic behaviors via scheduled lighting recipes mimicking daylight patterns or supporting biorhythms.
- Scene setting via lighting pre-sets based on various combinations of lighting color temperature and intensity.

3rd Party Sensors

- Third party sensors also available, please enquire about options for Lutron Athena, Vive, or others.

Interact Pro scalable sensor option codes across Genlyte product lines*

	Evokit	Day-Brite	Ledalite	Lightolier
Zigbee + Bluetooth	RADIO	RADIO	RA	RA
Zigbee + Bluetooth + Sensing	SWZCS	SWZCS	CS	SBA accessory (external)
Zigbee + Bluetooth + Sensing + Environmental data	IAOSB	IAOSB	SB	SB
Zigbee + Highbay + Sensing	-	SWZCSH	-	-

Shine recessed

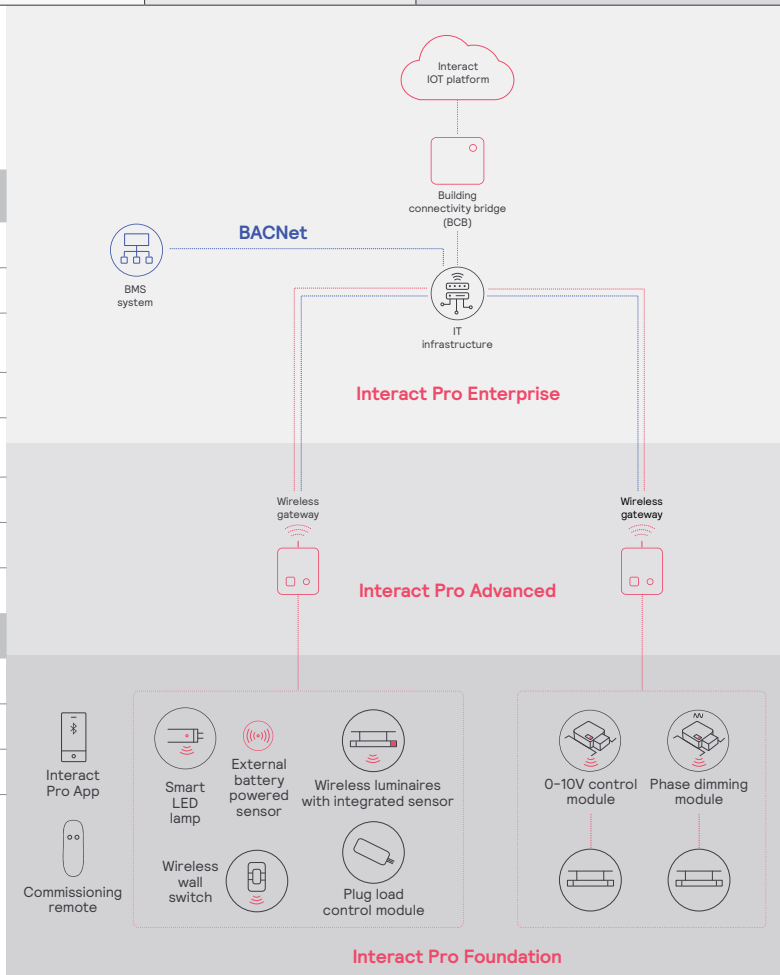
Imperial & metric sizes

Interact Pro scalable system			
	Foundation	Advanced	Enterprise
Dimming, grouping, and zoning	✓	✓	✓
Bluetooth and ZigBee enabled	✓	✓	✓
Motion sensing and daylight harvesting	✓	✓	✓
Integration with 0-10V and phase dimming fixtures	✓	✓	✓
Code compliance	✓	✓	✓
Granular dimming and dwell time	✓	✓	✓
Energy reporting and monitoring		✓	✓
Scheduling		✓	✓
Demand response		✓	✓
BMS integration (BACnet)			✓
Floor plan visualization			✓
IoT sensors for wellness			✓
IoT Apps for productivity			✓

Currently supported maximum system size

To be able to design the lighting system correctly for the customer, it is important to know the prime characteristics of the system, its possibilities and limitations.

System level	
Total number of gateways	Unlimited
Total number of devices	200 per network
• luminaires with integrated sensors	150
• smart TLEDS	150
Total number of ZGP devices (sensors and switches)	50
• sensors	30
• switches	50
• zones and groups	64
Group level	
Recommended number of lights	40 (recommended 25)
Number of ZGP devices	5
Number of scenes	16



Shine recessed

Imperial & metric sizes

Colorimetry

Shine recessed (33xx) AccuRender Static White

Nominal CRI & CCT		CRI 90, 2700K	CRI 90, 3000K	CRI 90, 3500K	CRI 90, 4000K	CRI 90, 5000K
CIE 013.3-1995 ¹	CRI R_a	94	93	93	93	93
	R_9	55	57	59	64	68
	G_s	99	99	99	99	99
	C_9	93	93	93	93	94
IES TM-30-18 ²	R_f	92	91	91	91	90
	R_{f,h_1}	90	90	90	91	89
	R_g	100	100	99	100	100
	R_{cs,h_1}	-6%	-5%	-6%	-5%	-5%
MDER ³		0.45	0.51	0.58	0.65	0.81

1. Color Rendering Index (CRI R_a) and Strong Red (R_9) are calculated in accordance with CIE 013.3-1995. Color Gamut index (G_s) and red chroma Index (C_9) are CIE based properties using the Global Lighting Association's calculation tool.

2. Fidelity Index (R_f), Red Fidelity Index (R_{f,h_1}), Gamut Index (R_g), and Red Local Chroma Shift (R_{cs,h_1}) are calculated in accordance with IES TM-30-18.-18.

3. Melanopic Daylight Efficacy Ratio (MDER) is the measure for "spectral melanopic efficiency" as defined in CIE S 026-2018.

Shine recessed

Imperial & metric sizes

Photometry

2'x2' (22)

Click "PDF" or "IES" text to download

Nominal CRI & CCT		CRI 90, 2700K					CRI 90, 3000K					CRI 90, 3500K					CRI 90, 4000K					CRI 90, 5000K				
Nominal Lumen Package	Watts	Flux	Efficacy (LPW)	UGR*	Photometry Report	IES File	Flux	Efficacy (LPW)	UGR*	Photometry Report	IES File	Flux	Efficacy (LPW)	UGR*	Photometry Report	IES File	Flux	Efficacy (LPW)	UGR*	Photometry Report	IES File	Flux	Efficacy (LPW)	UGR*	Photometry Report	IES File
5000	45.3	4,623	102.1	20.5	PDF	IES	4,755	105.0	20.6	PDF	IES	5,003	110.4	20.8	PDF	IES	4,988	110.1	20.8	PDF	IES	5,114	112.9	20.9	PDF	IES
4500	40.5	4,153	102.5	20.1	PDF	IES	4,273	105.5	20.2	PDF	IES	4,491	110.9	20.4	PDF	IES	4,482	110.7	20.4	PDF	IES	4,593	113.4	20.5	PDF	IES
4000	35.4	3,706	104.7	19.8	PDF	IES	3,814	107.7	19.8	PDF	IES	4,004	113.1	20.0	PDF	IES	4,000	113.0	20.0	PDF	IES	4,099	115.8	20.1	PDF	IES
3500	30.6	3,247	106.1	19.3	PDF	IES	3,342	109.2	19.4	PDF	IES	3,506	114.6	19.6	PDF	IES	3,506	114.6	19.6	PDF	IES	3,592	117.4	19.6	PDF	IES
3000	26.1	2,777	106.4	18.7	PDF	IES	2,859	109.5	18.8	PDF	IES	2,998	114.9	19.0	PDF	IES	3,000	114.9	19.0	PDF	IES	3,072	117.7	19.1	PDF	IES
2500	21.8	2,316	106.2	18.1	PDF	IES	2,386	109.4	18.2	PDF	IES	2,500	114.7	18.4	PDF	IES	2,502	114.8	18.4	PDF	IES	2,561	117.5	18.5	PDF	IES

*UGR given at 3500K, based on 4Hx8Hx0.25H. UGR can be calculated at other CCTs by importing the ies file into lighting design software.

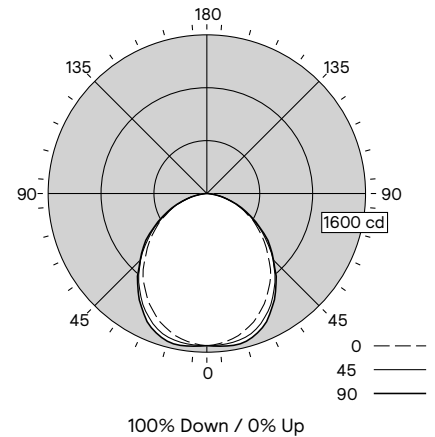
CANDELA DISTRIBUTION						Flux
	0	22.5	45	67.5	90	Lumens
0	1534	1534	1534	1534	1534	
5	1517	1526	1533	1540	1545	146
15	1438	1467	1500	1537	1542	423
25	1294	1354	1378	1430	1425	635
35	1106	1178	1181	1227	1208	741
45	867	937	944	978	950	727
55	639	689	682	718	703	616
65	415	440	431	459	439	436
75	206	220	206	220	209	228
85	43	46	37	40	29	52
90	0	0	0	0	0	
95	0	0	0	0	0	
105	0	0	0	0	0	
115	0	0	0	0	0	
125	0	0	0	0	0	
135	0	0	0	0	0	
145	0	0	0	0	0	
155	0	0	0	0	0	
165	0	0	0	0	0	
175	0	0	0	0	0	
180	0	0	0	0	0	

COEFFICIENTS OF UTILIZATION (%)													
Pc---	80				70				50				0
Pw---	70	50	30	10	70	50	30	50	30	10	0	0	
ROR													
0	119	119	119	119	116	116	116	111	111	111	100		
1	109	105	101	97	107	103	99	98	95	93	85		
2	100	92	85	80	97	90	84	87	82	77	72		
3	91	81	73	67	89	80	72	77	70	65	61		
4	84	72	64	57	82	71	63	68	61	56	52		
5	77	65	56	50	75	64	55	62	54	49	46		
6	71	58	50	43	70	57	49	56	48	43	40		
7	66	53	44	38	65	52	44	51	43	38	36		
8	62	49	40	34	60	48	40	47	39	34	32		
9	58	45	37	31	56	44	36	43	36	31	29		
10	54	41	33	28	53	41	33	40	33	28	26		

* Based on a floor reflectance of 0.2

ZONAL LUMEN SUMMARY			
Zone	Lumens	%Fixture	%Lamp
0-30	1204	30.1%	30.1%
0-40	1944	48.6%	48.6%
0-60	3288	82.1%	82.1%
0-90	4004	100.0%	100.0%
90-130	0	0.0%	0.0%
90-150	0	0.0%	0.0%
90-180	0	0.0%	0.0%
0-180	4004	100.0%	100.0%

AVG LUMINANCE (cd/m ²)			
	0	45	90
0	4549	4549	4549
5	4516	4562	4599
15	4415	4605	4734
25	4233	4508	4663
35	4004	4275	4372
45	3635	3957	3985
55	3301	3528	3635
65	2912	3022	3080
75	2360	2358	2391
85	1453	1266	1000



*Photometric data shown is for 4000lm, 3500K, 90 CRI configuration.

Shine recessed

Imperial & metric sizes

Photometry

2'x4' (24)

Click "PDF" or "IES" text to download

Nominal CRI & CCT		CRI 90, 2700K					CRI 90, 3000K					CRI 90, 3500K					CRI 90, 4000K					CRI 90, 5000K				
Nominal Lumen Package	Watts	Flux	Efficacy (LPW)	UGR*	Photometry Report	IES File	Flux	Efficacy (LPW)	UGR*	Photometry Report	IES File	Flux	Efficacy (LPW)	UGR*	Photometry Report	IES File	Flux	Efficacy (LPW)	UGR*	Photometry Report	IES File	Flux	Efficacy (LPW)	UGR*	Photometry Report	IES File
8000	63.5	7,403	116.6	19.9	PDF	IES	7,621	120.0	20.0	PDF	IES	7,997	125.9	20.1	PDF	IES	7,990	125.8	20.1	PDF	IES	8,188	128.9	20.2	PDF	IES
7500	59.0	6,946	117.7	19.6	PDF	IES	7,154	121.3	19.7	PDF	IES	7,504	127.2	19.9	PDF	IES	7,496	127.1	19.9	PDF	IES	7,682	130.2	20.0	PDF	IES
7000	54.6	6,485	118.8	19.4	PDF	IES	6,681	122.4	19.5	PDF	IES	7,005	128.3	19.7	PDF	IES	6,999	128.2	19.7	PDF	IES	7,171	131.3	19.7	PDF	IES
6500	50.4	6,019	119.4	19.1	PDF	IES	6,202	123.1	19.2	PDF	IES	6,501	129.0	19.4	PDF	IES	6,496	128.9	19.4	PDF	IES	6,655	132.0	19.5	PDF	IES
6000	46.1	5,548	120.3	18.9	PDF	IES	5,717	124.0	19.0	PDF	IES	5,992	130.0	19.1	PDF	IES	5,989	129.9	19.1	PDF	IES	6,133	133.0	19.2	PDF	IES
5500	41.9	5,093	121.6	18.6	PDF	IES	5,249	125.3	18.7	PDF	IES	5,500	131.3	18.8	PDF	IES	5,499	131.2	18.8	PDF	IES	5,630	134.4	18.9	PDF	IES
5000	38.4	4,634	120.7	18.2	PDF	IES	4,776	124.4	18.3	PDF	IES	5,004	130.3	18.5	PDF	IES	5,005	130.3	18.5	PDF	IES	5,122	133.4	18.6	PDF	IES
4500	34.4	4,172	121.3	17.9	PDF	IES	4,299	125.0	18.0	PDF	IES	4,503	130.9	18.1	PDF	IES	4,507	131.0	18.1	PDF	IES	4,610	134.0	18.2	PDF	IES
4000	30.4	3,705	121.9	17.4	PDF	IES	3,817	125.6	17.6	PDF	IES	3,998	131.5	17.7	PDF	IES	4,004	131.7	17.7	PDF	IES	4,093	134.6	17.8	PDF	IES

*UGR given at 3500K, based on 4Hx8Hx0.25H. UGR can be calculated at other CCTs by importing the ies file into lighting design software.

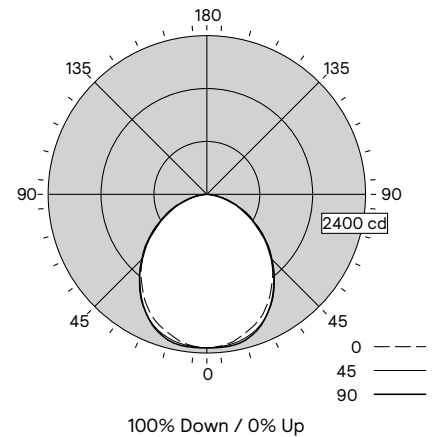
CANDELA DISTRIBUTION						Flux
	0	22.5	45	67.5	90	Lumens
0	2322	2322	2322	2322	2322	
5	2304	2312	2313	2323	2325	220
15	2184	2223	2248	2286	2279	634
25	2003	2048	2074	2103	2079	950
35	1704	1781	1772	1789	1757	1106
45	1381	1432	1399	1416	1377	1086
55	1019	1069	1023	1023	983	918
65	658	676	657	653	611	651
75	325	353	310	315	289	343
85	72	78	59	61	45	83
90	0	0	0	0	0	
95	0	0	0	0	0	
105	0	0	0	0	0	
115	0	0	0	0	0	
125	0	0	0	0	0	
135	0	0	0	0	0	
145	0	0	0	0	0	
155	0	0	0	0	0	
165	0	0	0	0	0	
175	0	0	0	0	0	
180	0	0	0	0	0	

COEFFICIENTS OF UTILIZATION (%)													
Pc---	80				70				50				0
Pw---	70	50	30	10	70	50	30	50	30	10	0	0	
RCR	0	119	119	119	119	116	116	116	111	111	111	100	
	1	109	105	101	97	107	103	99	98	95	92	85	
	2	100	92	85	80	97	90	84	87	81	77	72	
	3	91	81	73	67	89	80	72	77	70	65	61	
	4	84	72	64	57	82	71	63	68	61	56	52	
	5	77	65	56	49	75	64	55	61	54	49	46	
	6	71	58	50	43	70	57	49	56	48	43	40	
	7	66	53	45	38	65	52	44	51	43	38	36	
	8	62	49	40	34	60	48	40	47	39	34	32	
	9	58	45	37	31	56	44	36	43	36	31	29	
	10	54	41	33	28	53	41	33	40	33	28	26	

* Based on a floor reflectance of 0.2

ZONAL LUMEN SUMMARY			
Zone	Lumens	%Fixture	%Lamp
0-30	1805	30.1%	30.1%
0-40	2910	48.6%	48.6%
0-60	4915	82.0%	82.0%
0-90	5992	100.0%	100.0%
90-130	0	0.0%	0.0%
90-150	0	0.0%	0.0%
90-180	0	0.0%	0.0%
0-180	5992	100.0%	100.0%

AVG LUMINANCE (cd/m ²)			
	0	45	90
0	3354	3354	3354
5	3341	3354	3371
15	3266	3361	3408
25	3193	3305	3313
35	3005	3125	3099
45	2822	2858	2813
55	2566	2575	2475
65	2248	2246	2088
75	1816	1732	1615
85	1195	973	746



*Photometric data shown is for 6000lm, 3500K, 90 CRI configuration.

Shine recessed

Imperial & metric sizes

Photometry

1'x4' (14)

Click "PDF" or "IES" text to download

Nominal CRI & CCT		CRI 90, 2700K					CRI 90, 3000K					CRI 90, 3500K					CRI 90, 4000K					CRI 90, 5000K				
Nominal Lumen Package	Watts	Flux	Efficacy (L/PW)	UGR *	Photometry Report	IES File	Flux	Efficacy (L/PW)	UGR *	Photometry Report	IES File	Flux	Efficacy (L/PW)	UGR *	Photometry Report	IES File	Flux	Efficacy (L/PW)	UGR *	Photometry Report	IES File	Flux	Efficacy (L/PW)	UGR *	Photometry Report	IES File
5000	48.0	4,613	96.1	21.0	PDF	IES	4,745	98.9	21.1	PDF	IES	4,995	104.1	21.3	PDF	IES	4,978	103.7	21.3	PDF	IES	5,105	106.4	21.4	PDF	IES
4500	42.2	4,156	98.5	20.6	PDF	IES	4,275	101.3	20.7	PDF	IES	4,495	106.5	20.9	PDF	IES	4,484	106.3	20.9	PDF	IES	4,596	108.9	21.0	PDF	IES
4000	37.4	3,701	99.0	20.2	PDF	IES	3,808	101.8	20.3	PDF	IES	4,000	107.0	20.5	PDF	IES	3,995	106.8	20.5	PDF	IES	4,093	109.4	20.6	PDF	IES
3500	32.1	3,234	100.7	19.8	PDF	IES	3,328	103.7	19.9	PDF	IES	3,492	108.8	20.0	PDF	IES	3,491	108.8	20.0	PDF	IES	3,576	111.4	20.1	PDF	IES
3000	27.3	2,771	101.5	19.2	PDF	IES	2,853	104.5	19.3	PDF	IES	2,991	109.6	19.5	PDF	IES	2,993	109.6	19.5	PDF	IES	3,065	112.3	19.6	PDF	IES
2500	22.9	2,316	101.1	18.6	PDF	IES	2,386	104.2	18.7	PDF	IES	2,500	109.2	18.9	PDF	IES	2,502	109.3	18.9	PDF	IES	2,561	111.8	19.0	PDF	IES

* UGR given at 3500K, based on 4Hx8Hx0.25H. UGR can be calculated at other CCTs by importing the ies file into lighting design software.

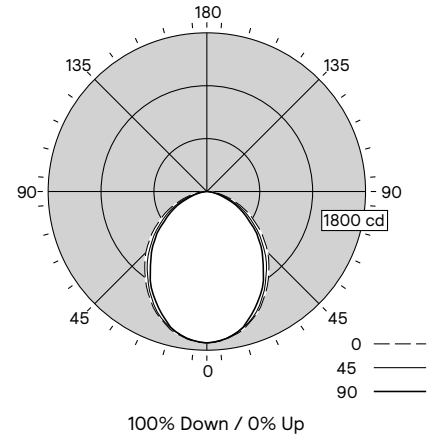
CANDELA DISTRIBUTION						Flux
	0	22.5	45	67.5	90	Lumens
0	1717	1717	1717	1717	1717	
5	1704	1706	1698	1701	1698	161
15	1616	1619	1698	1613	1593	452
25	1445	1461	1419	1414	1373	655
35	1216	1245	1170	1157	1118	742
45	979	990	915	890	865	717
55	720	718	650	632	590	597
65	471	465	412	381	362	416
75	236	236	180	168	150	209
85	52	55	31	33	26	50
90	0	0	0	0	0	
95	0	0	0	0	0	
105	0	0	0	0	0	
115	0	0	0	0	0	
125	0	0	0	0	0	
135	0	0	0	0	0	
145	0	0	0	0	0	
155	0	0	0	0	0	
165	0	0	0	0	0	
175	0	0	0	0	0	
180	0	0	0	0	0	

COEFFICIENTS OF UTILIZATION (%)													
Pc---	80				70				50				0
Pw---	70	50	30	10	70	50	30	50	30	10	0	0	
ROR													
0	119	119	119	119	116	116	116	111	111	111	100		
1	110	105	101	98	107	103	99	99	96	93	85		
2	100	93	86	81	98	91	85	87	82	78	72		
3	92	82	74	68	89	80	73	77	71	66	62		
4	84	73	65	58	82	72	64	69	62	57	53		
5	78	66	57	51	76	64	56	62	55	50	47		
6	72	59	51	45	70	58	50	57	49	44	41		
7	67	54	46	40	65	53	45	52	44	39	37		
8	63	49	41	36	61	49	41	47	40	35	33		
9	59	46	38	32	57	45	37	44	37	32	30		
10	55	42	34	29	54	42	34	41	34	29	27		

* Based on a floor reflectance of 0.2

ZONAL LUMEN SUMMARY			
Zone	Lumens	%Fixture	%Lamp
0-30	1269	31.7%	31.7%
0-40	2011	50.3%	50.3%
0-60	3325	83.1%	83.1%
0-90	4000	100.0%	100.0%
90-130	0	0.0%	0.0%
90-150	0	0.0%	0.0%
90-180	0	0.0%	0.0%
0-180	4000	100.0%	100.0%

AVG LUMINANCE (cd/m ²)			
	0	45	90
0	5206	5206	5206
5	5185	5167	5168
15	5072	5016	5000
25	4833	4748	4592
35	4501	4332	4137
45	4199	3925	3709
55	3807	3437	3116
65	3377	2956	2594
75	2768	2106	1751
85	1795	1075	915



*Photometric data shown is for 4000lm, 3500K, 90 CRI configuration.