

Project: \_\_\_\_\_

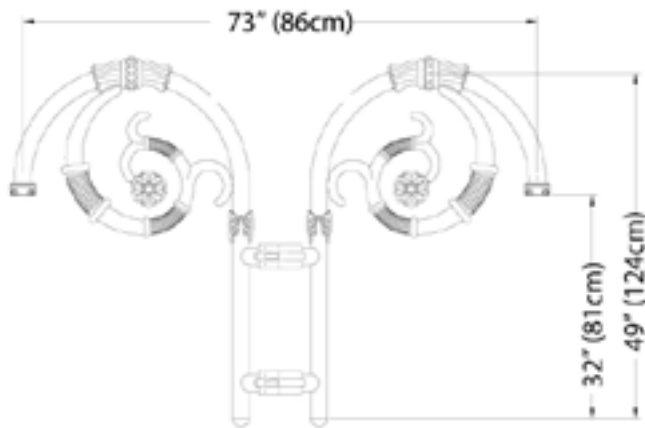
Location: \_\_\_\_\_

Cat.No: \_\_\_\_\_

Type: \_\_\_\_\_

Lamps: \_\_\_\_\_ Qty: \_\_\_\_\_

Notes: \_\_\_\_\_



### Ordering Guide

Example: HFP1020 P4 A N PM

Product Code	HFP1020	Twin
<b>Post diameter</b>	P4 P5 P6	4" Post Mount 5" Post Mount 6" Post Mount
<b>Finish</b>	A B G H J	Black White Verde Bronze Green
<b>Arm Accessory</b>	N	None
<b>Post Machining</b>	PM	Post Machining

### Specifications

**HOUSING:**

6063-T6 Extruded aluminum .

**FINISH:**

Thermoset polyester powdercoat is electrostatically applied after a five-stage conversion cleaning process and bonded by heat fusion thermosetting. Laboratory tested for superior weatherability and fade resistance in accordance with ASTM B117 specifications. For larger projects where a custom color is required, contact the factory for more information.

**WARRANTY:**

Three-year limited warranty.

**Height :**

49" (124 cm)

**Length:**

73" (185 cm)

**EPA:**

5.00 sq. ft

