

Project: _____

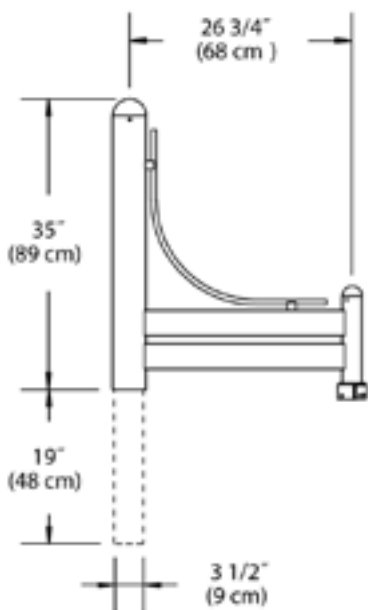
Location: _____

Cat.No: _____

Type: _____

Lamps: _____ Qty: _____

Notes: _____



Ordering Guide

Example: HFP110 P4 A N PM

Product Code	HFP110	Single
Post diameter	P4	4" Post Mount
Finish	A B G H I J	Black White Verde Bronze Gray Green
Arm Accessory	N	None
Post Machining	PM	Post Machining

Specifications

HOUSING:

6063-T6 Extruded aluminum .

FINISH:

Thermoset polyester powdercoat is electrostatically applied after a five-stage conversion cleaning process and bonded by heat fusion thermosetting. Laboratory tested for superior weatherability and fade resistance in accordance with ASTM B117 specifications. For larger projects where a custom color is required, contact the factory for more information.

WARRANTY:

Three-year limited warranty.

HFP110 Arm bracket

Single

Specifications

Height :

35" (89 cm)

Length:

26 3/4" (68 cm)

Internal Slip Fitter Height:

19" (48 cm)

Internal Slip Fitter Diameter:

3 1/2" (9 cm)

EPA:

1.40 sq. ft

